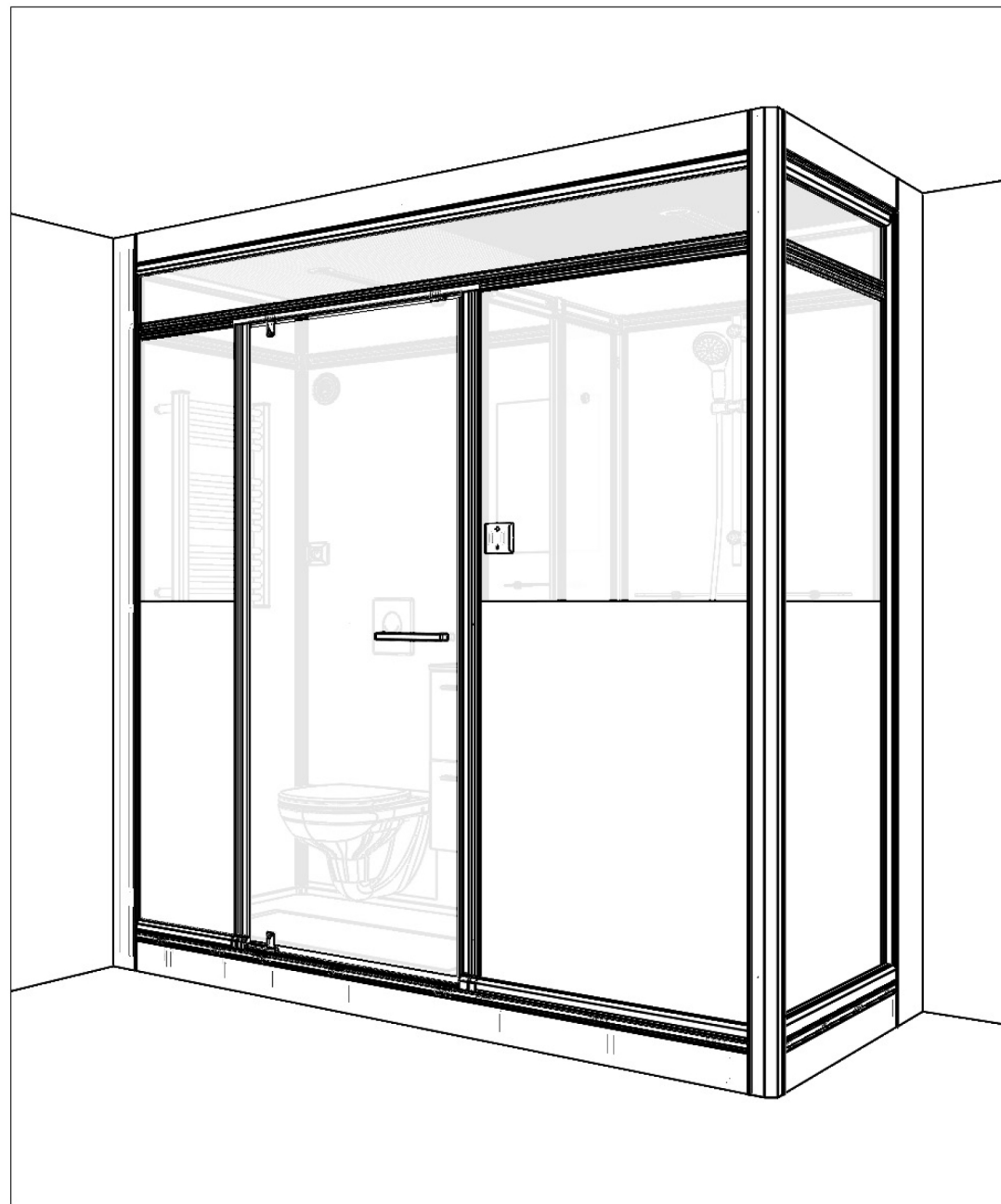


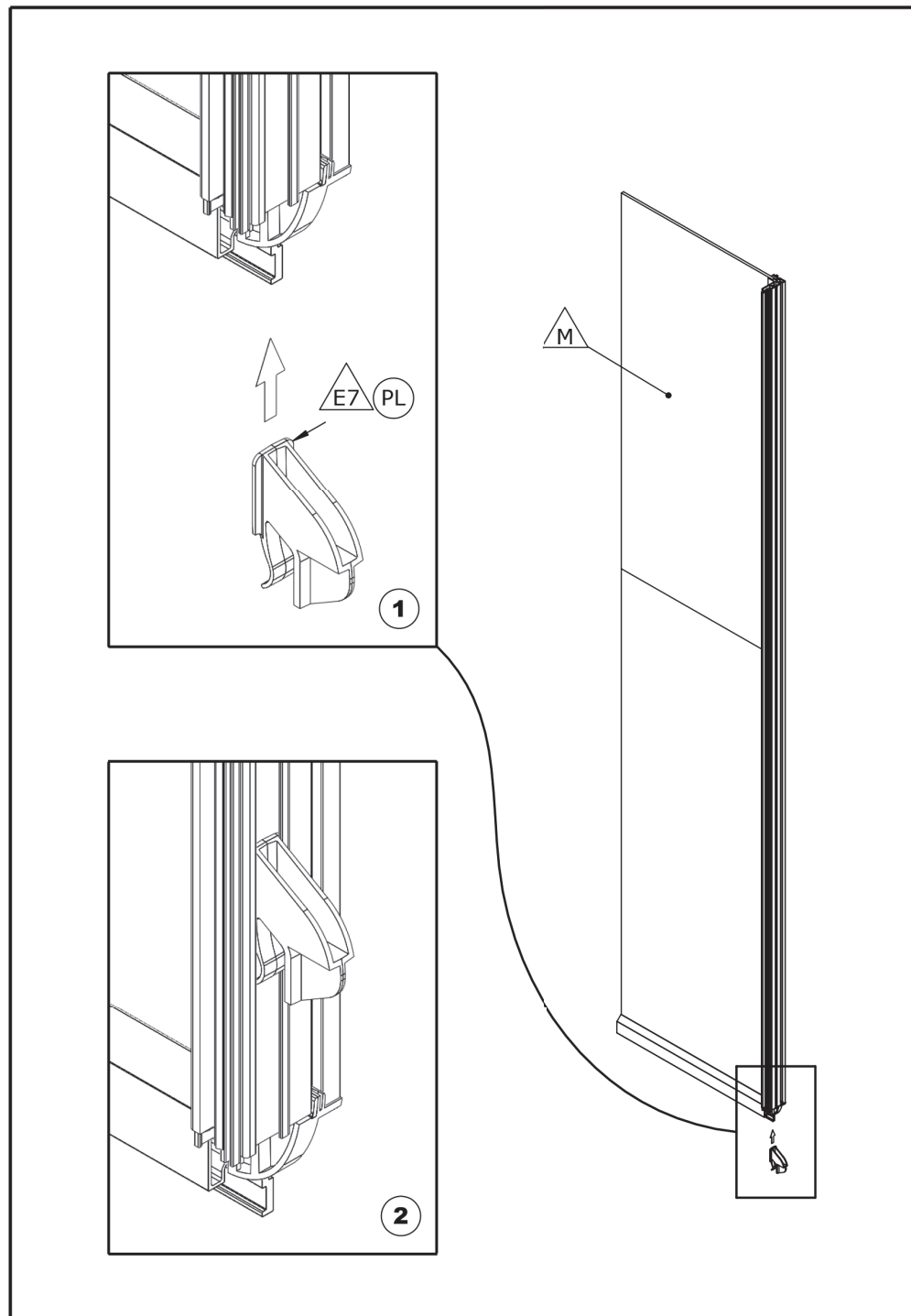
- F Notice de montage
- GB Installation instructions
- E Manual de instalación
- I Istruzioni di montaggio
- NL Montage-instructies
- D Montageanleitung

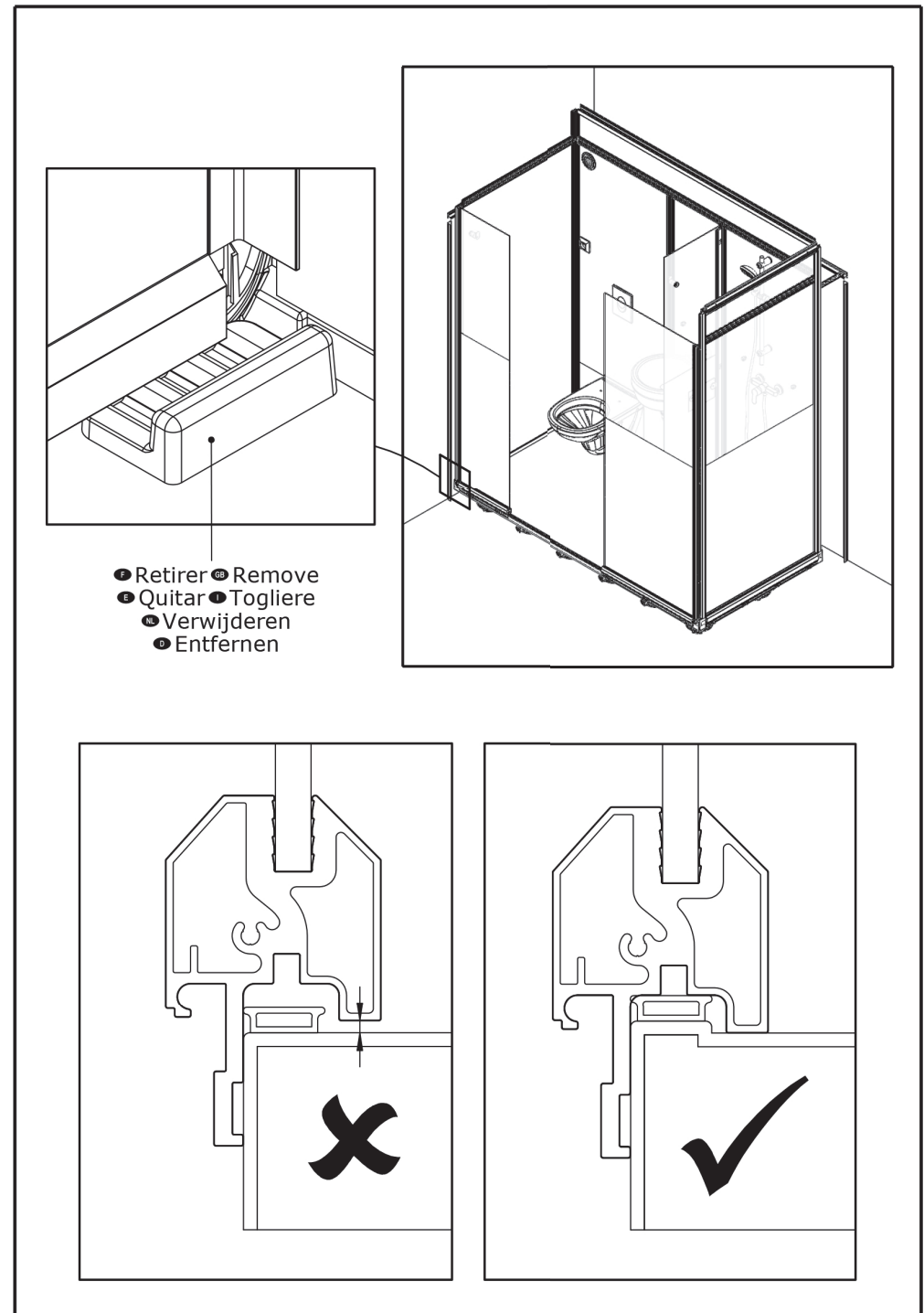
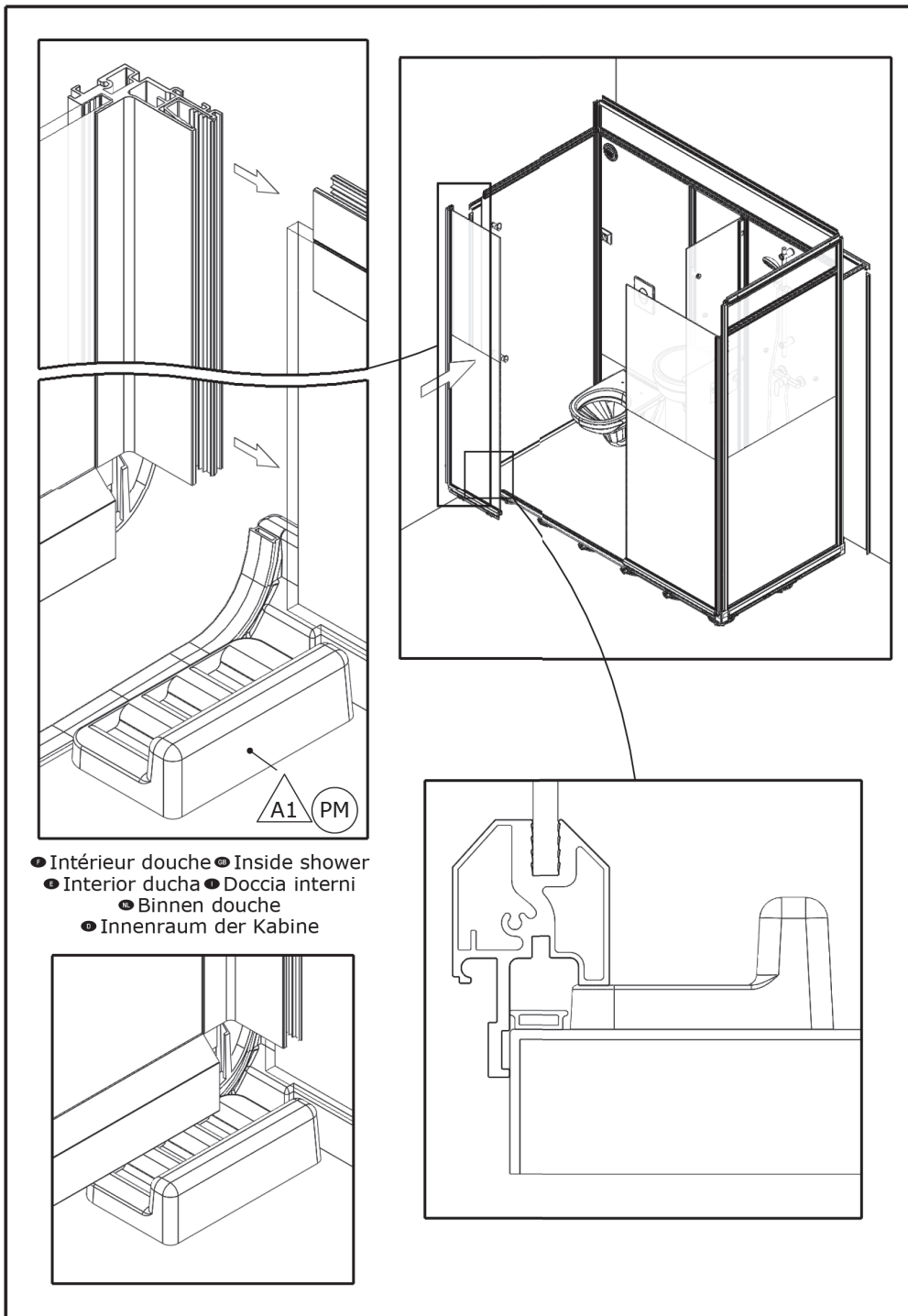


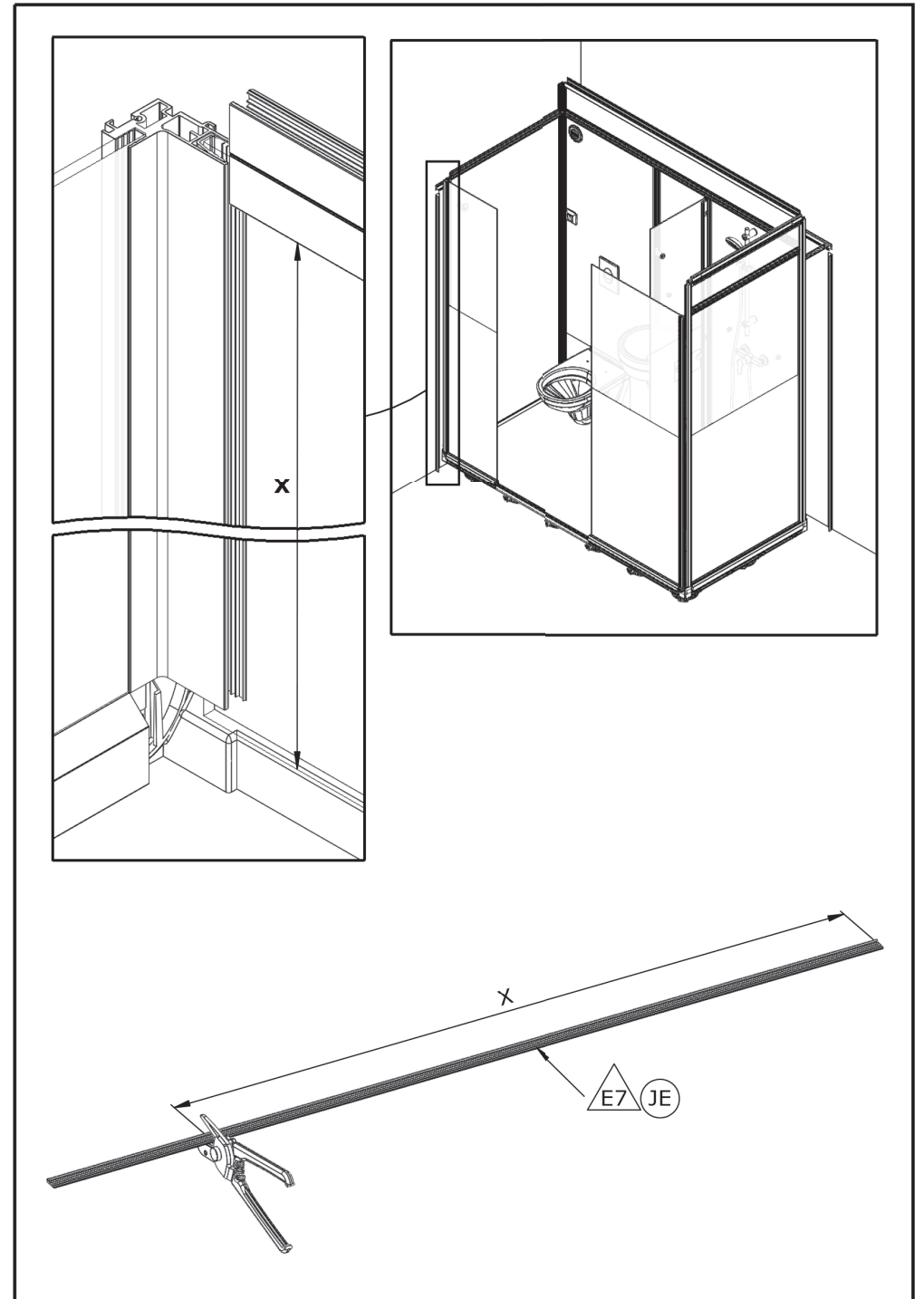
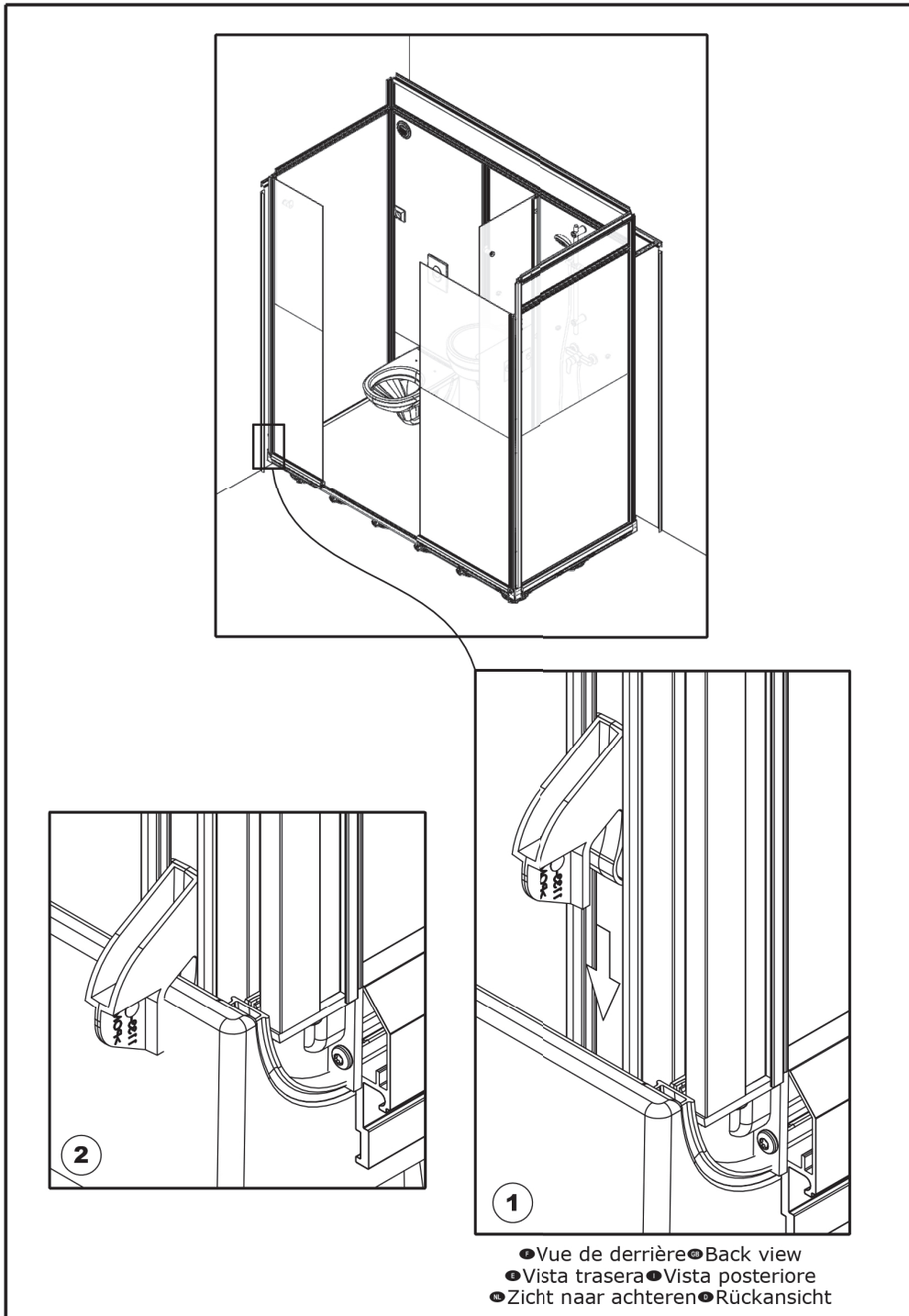
2/2

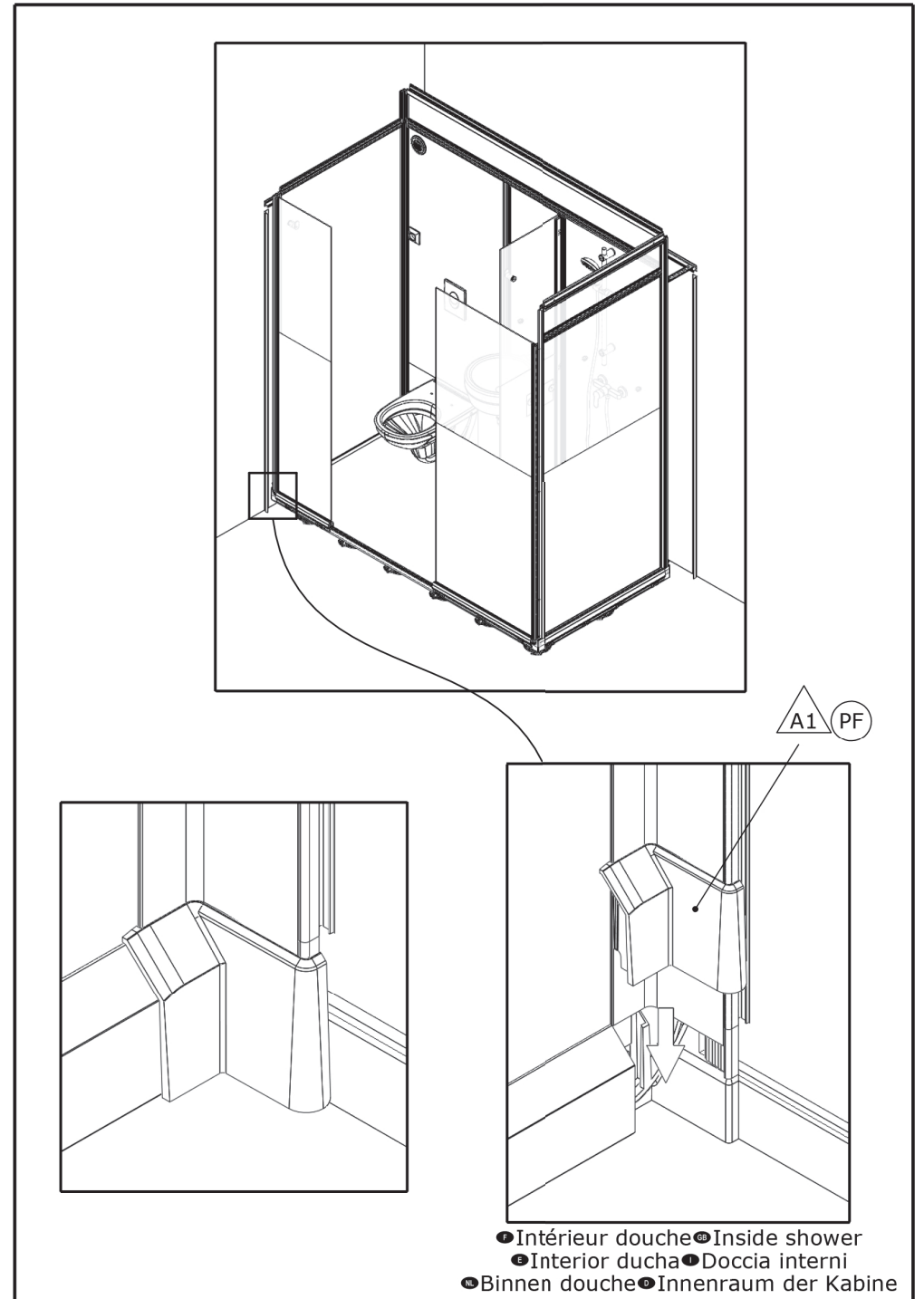
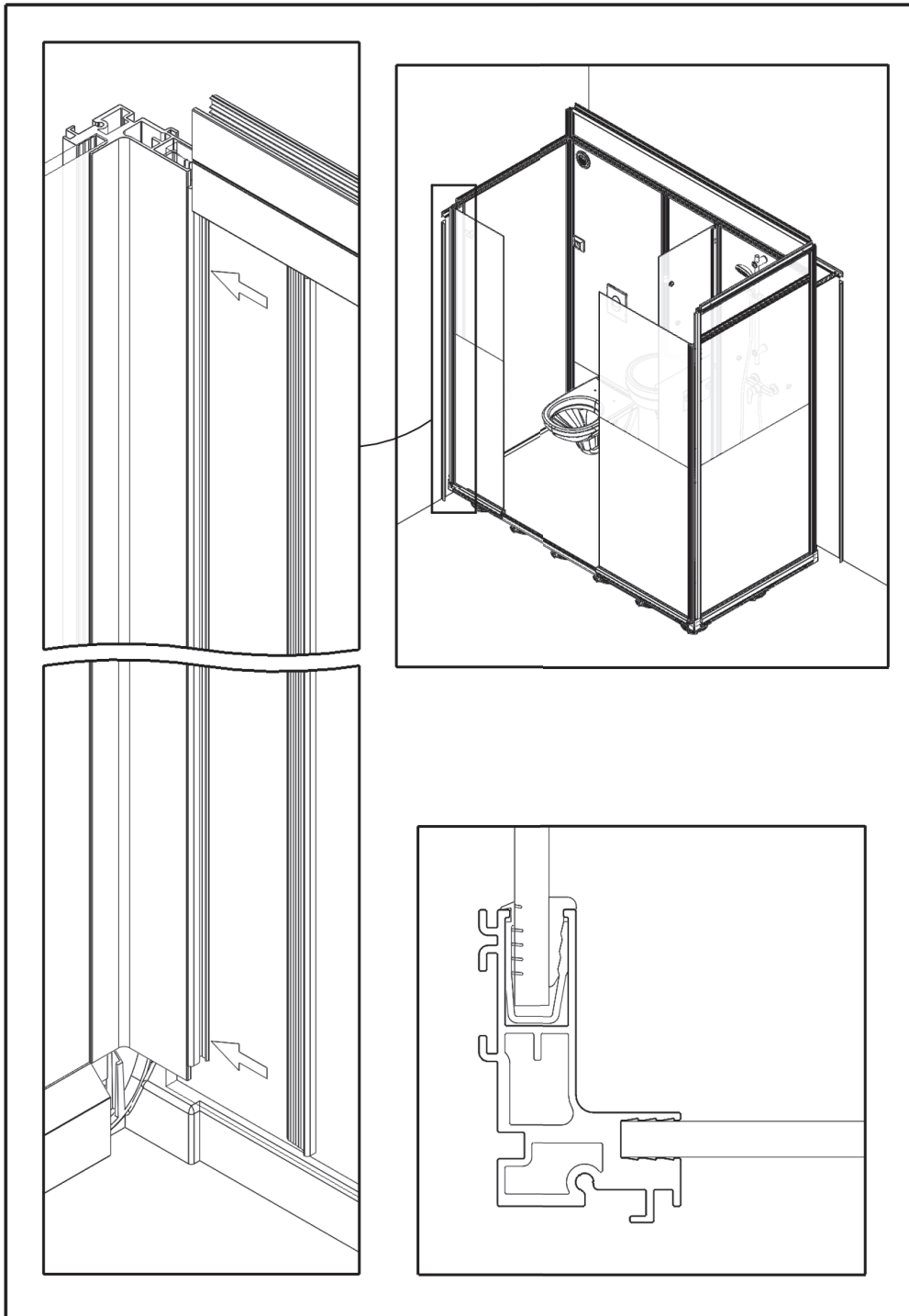


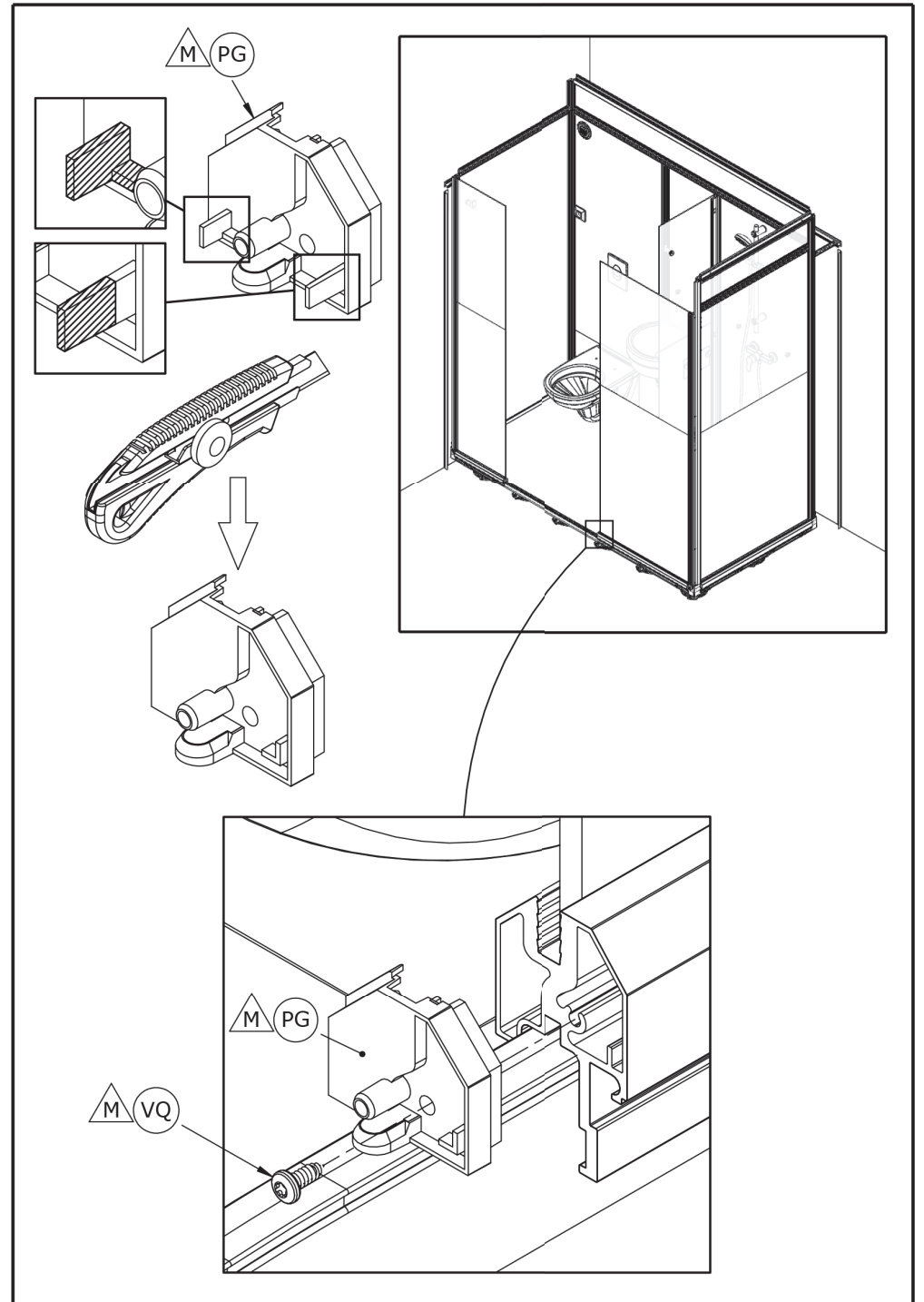
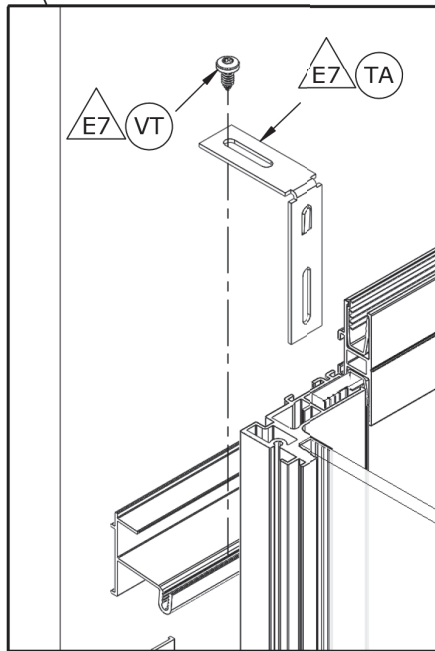
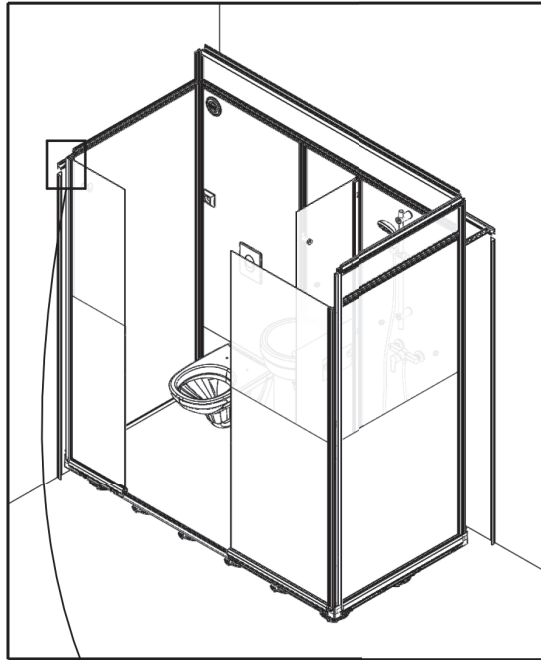
- Attention aux étapes :
- Check installation steps :
- Atención a los pasos : P. 16 - 37 - 39
- Attenzione ai passi :
- Aandacht voor de stappen :
- Achtung vor den Schritten :

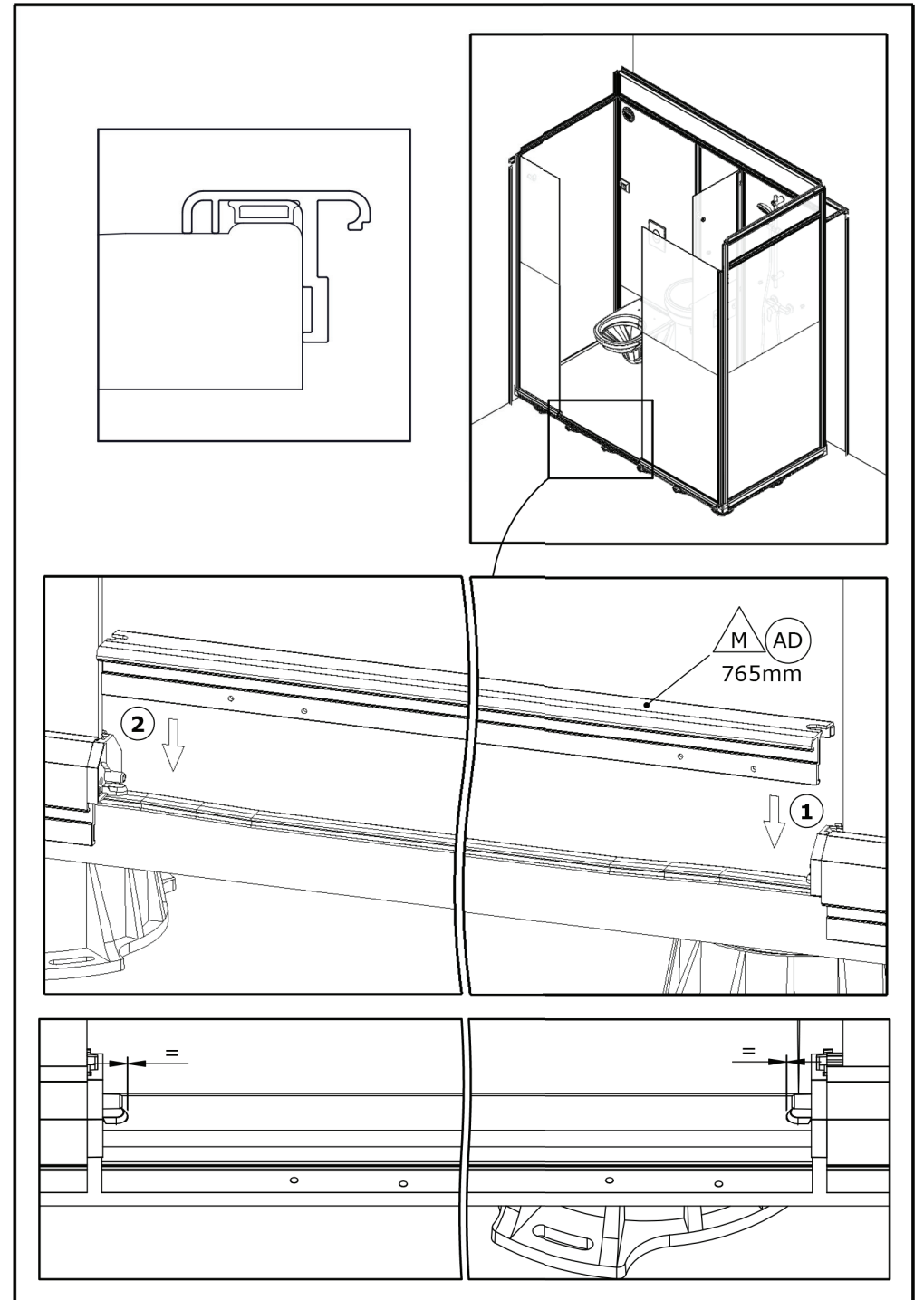
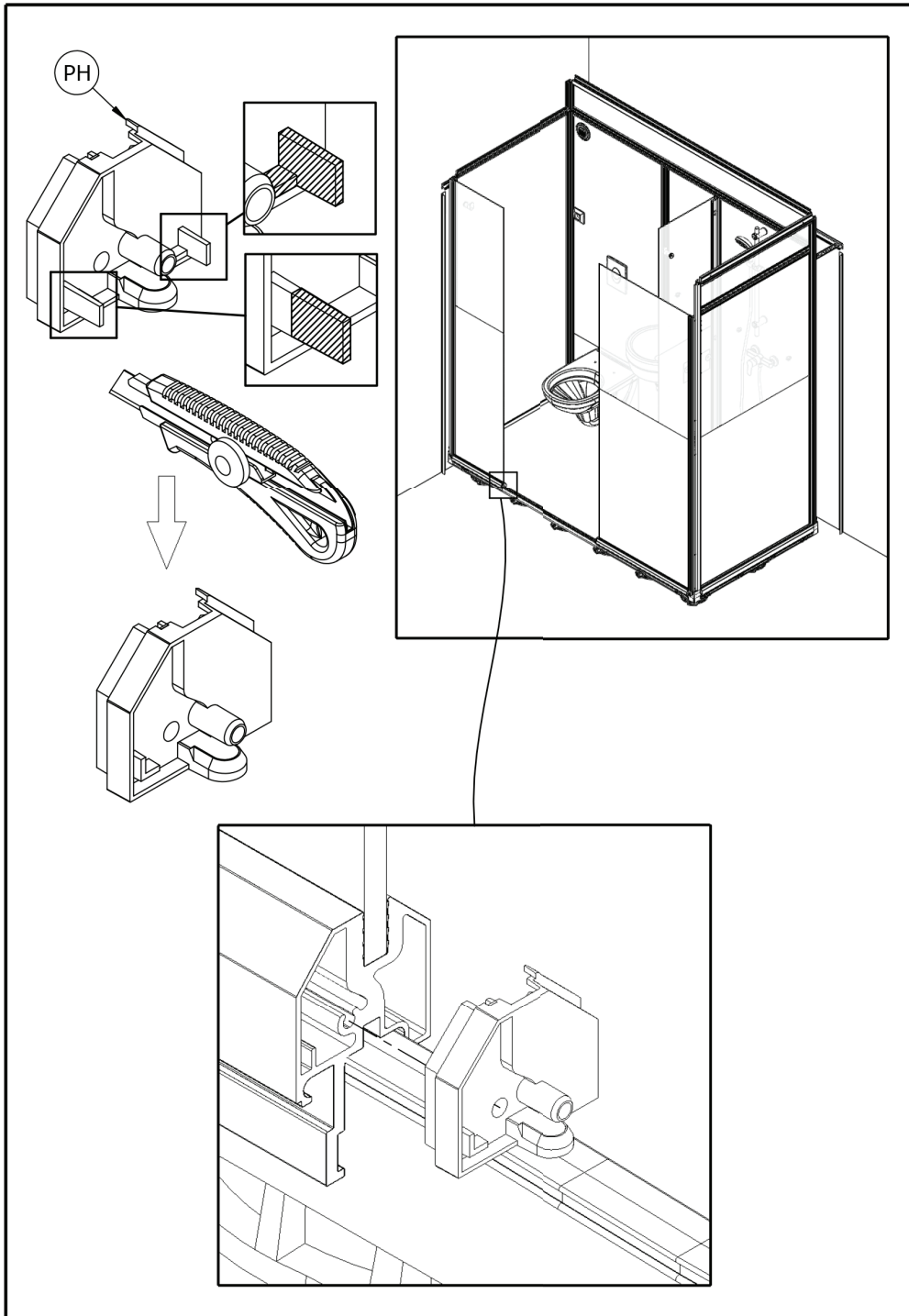


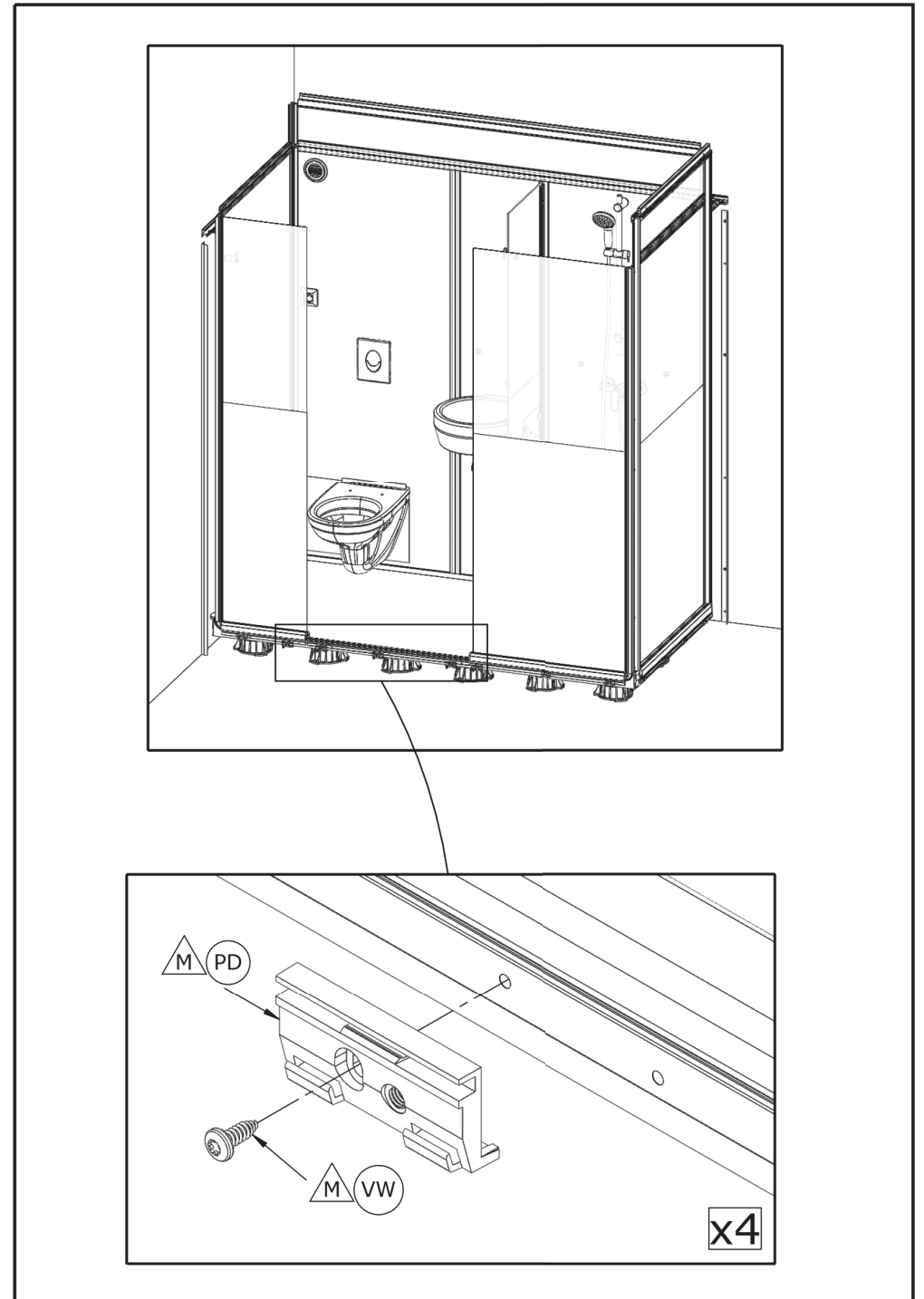
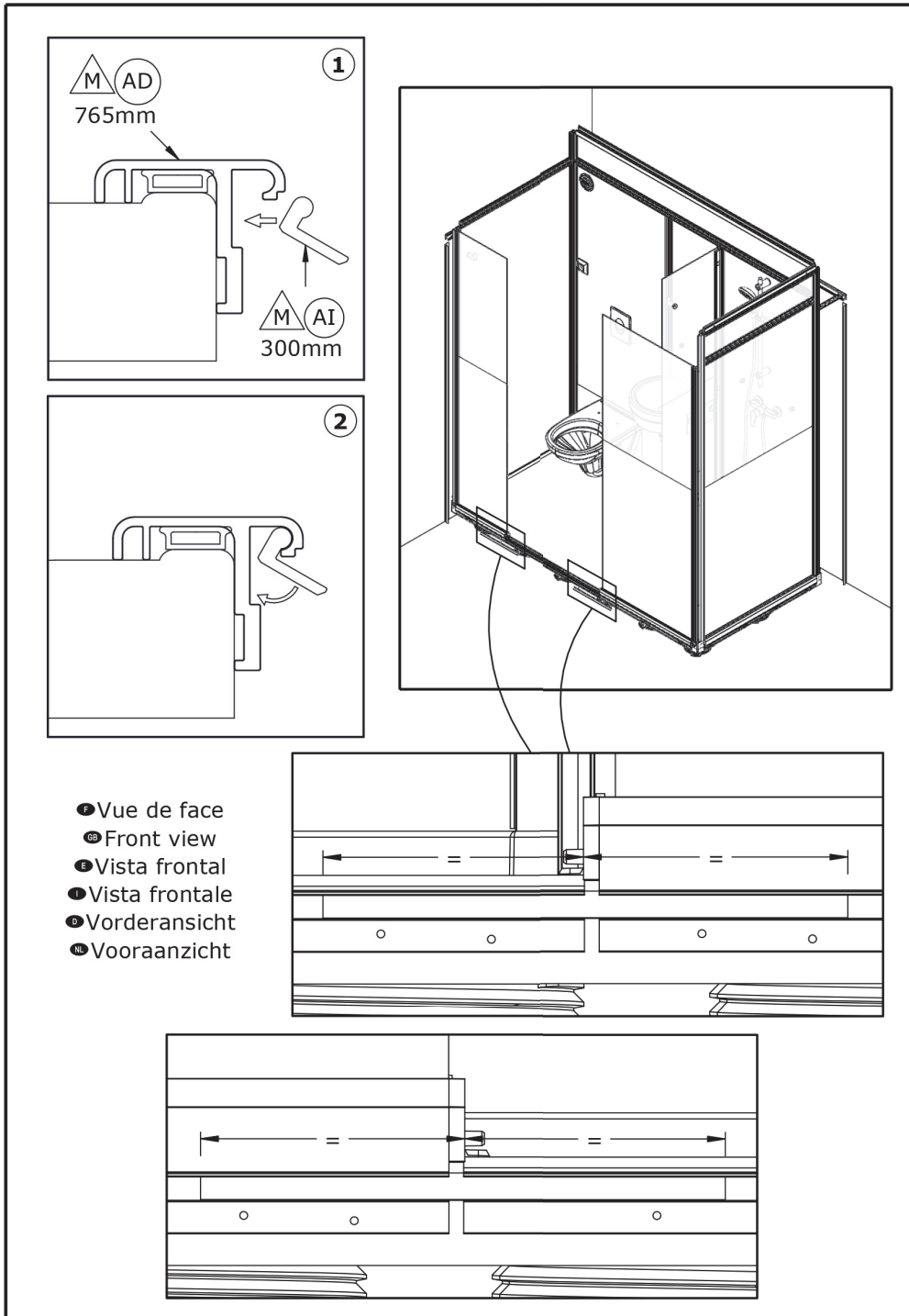




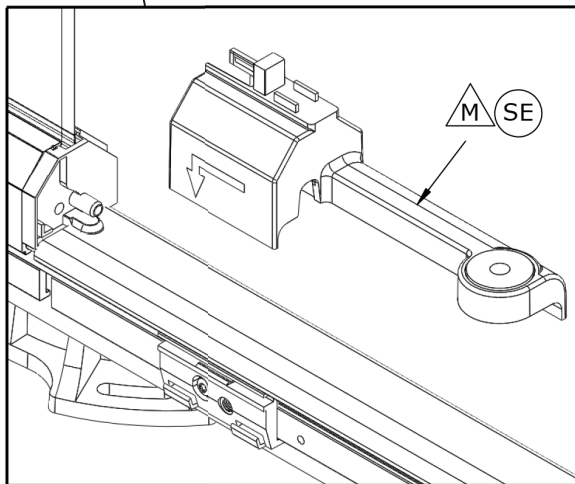
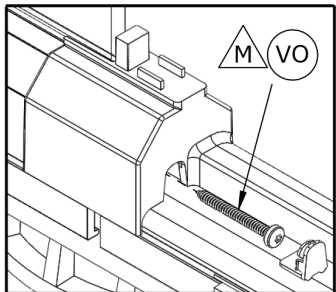
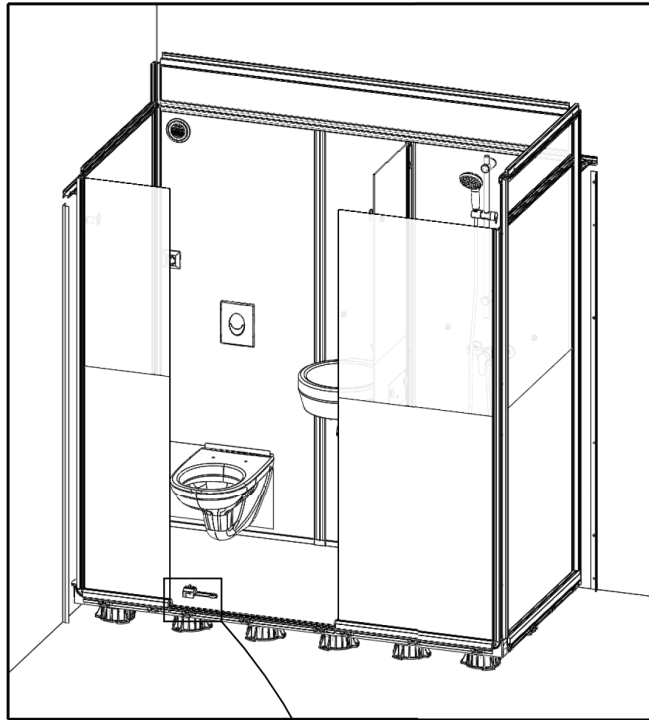


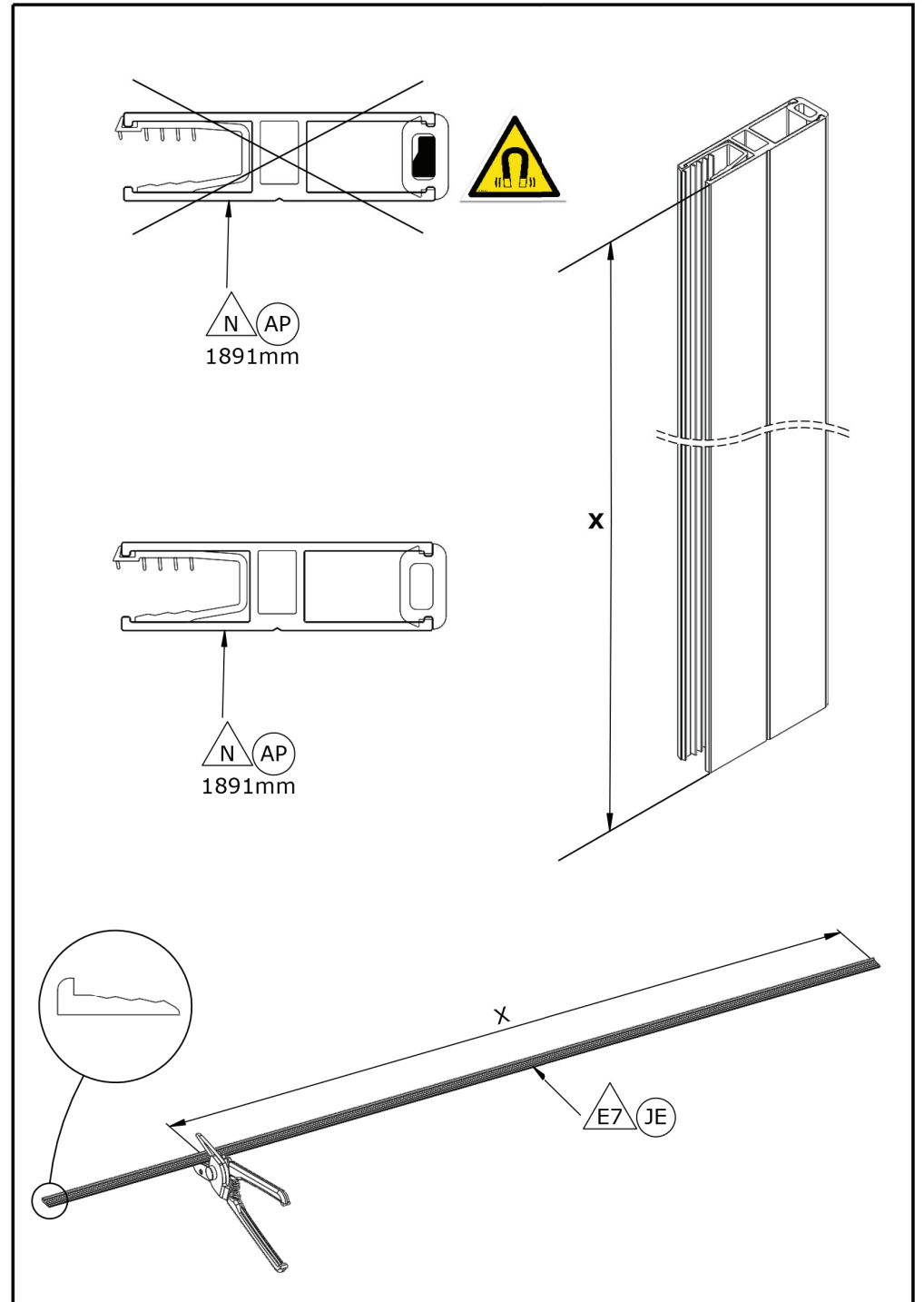
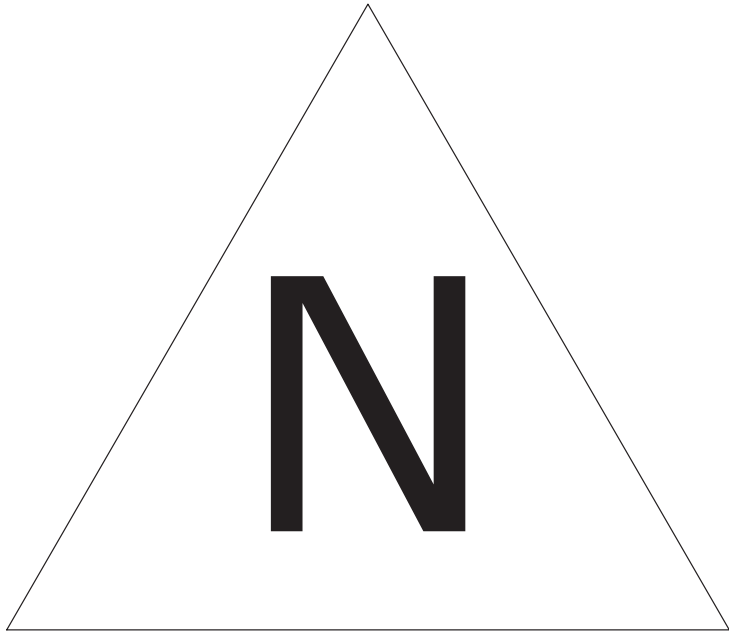


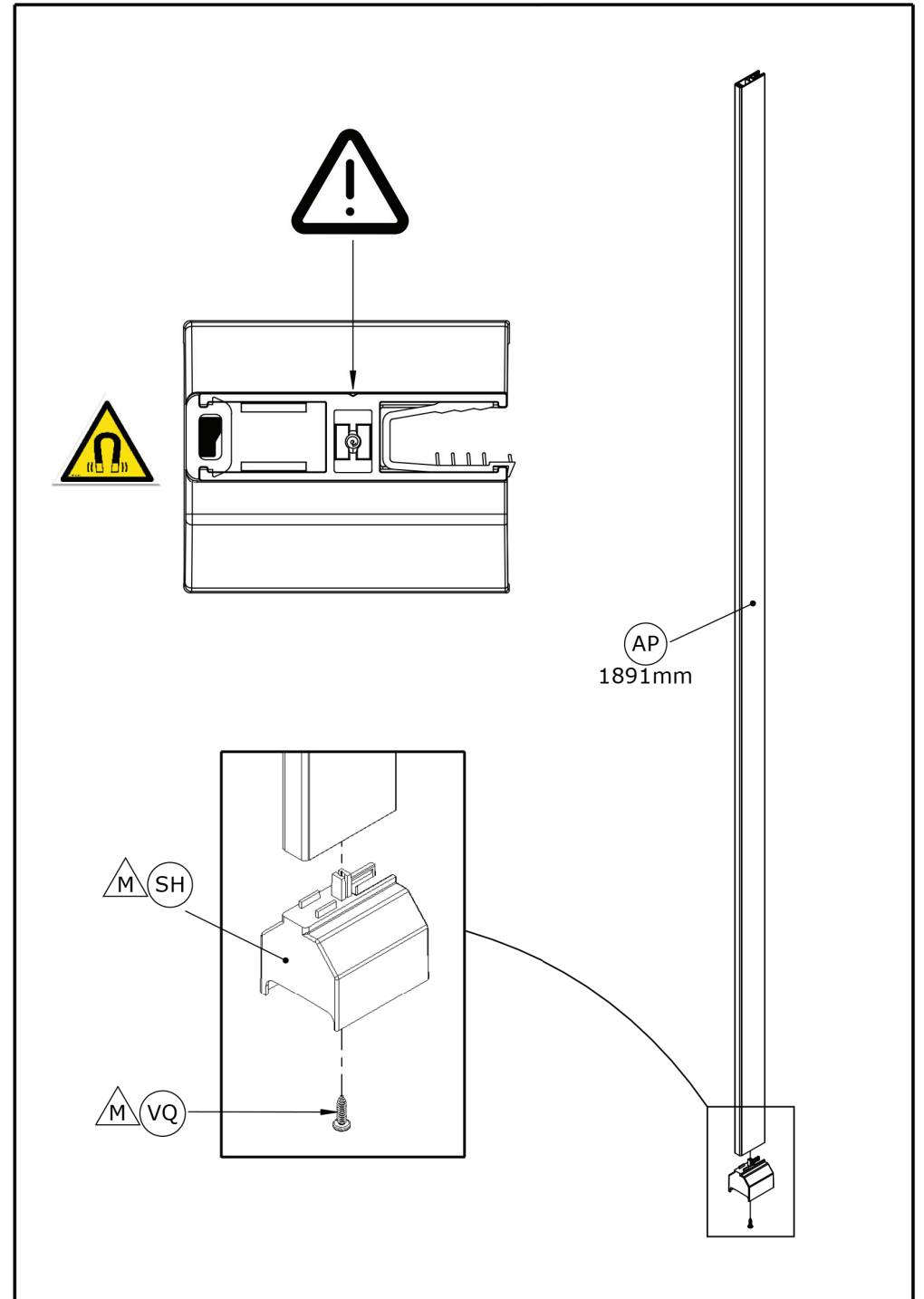
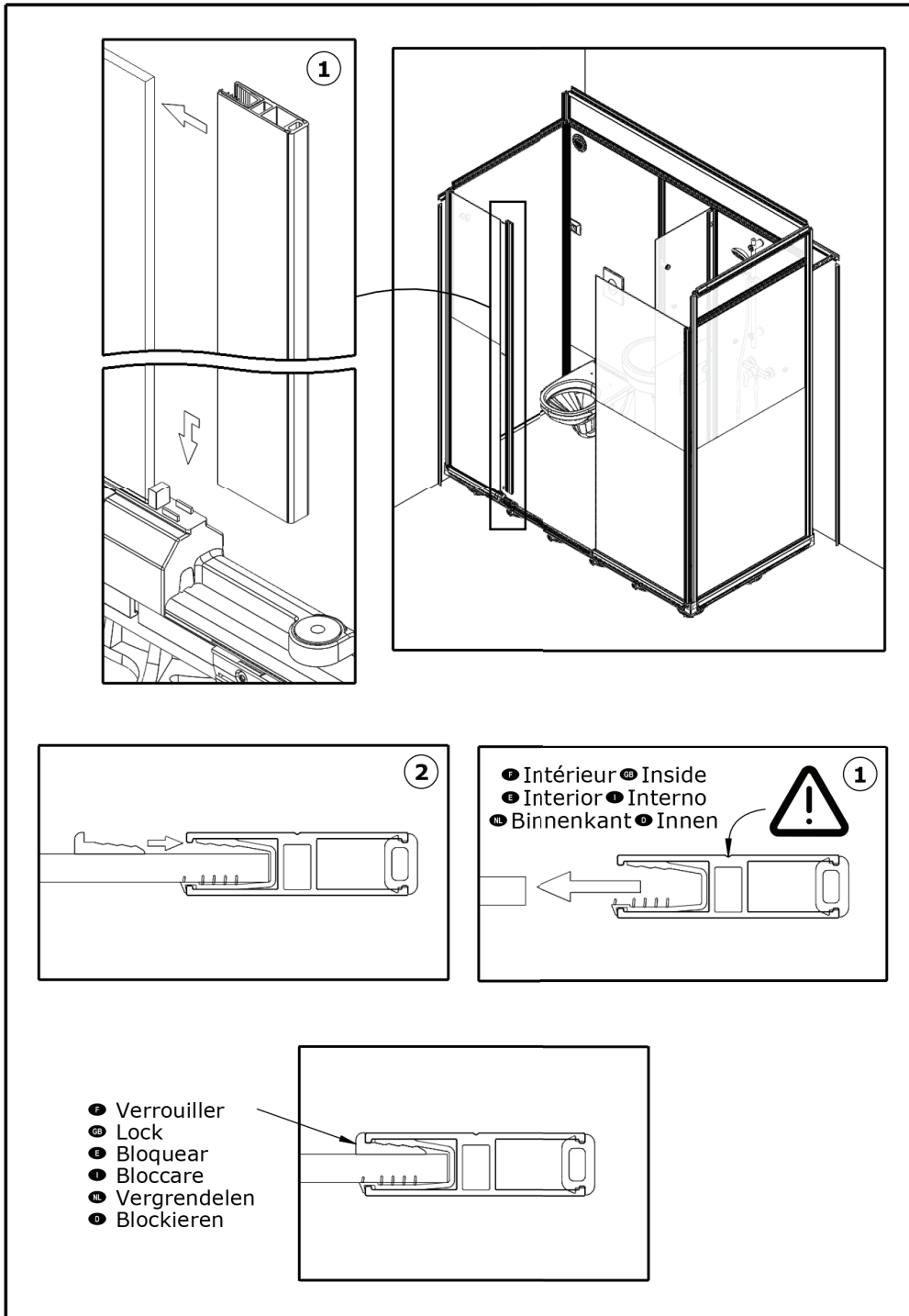


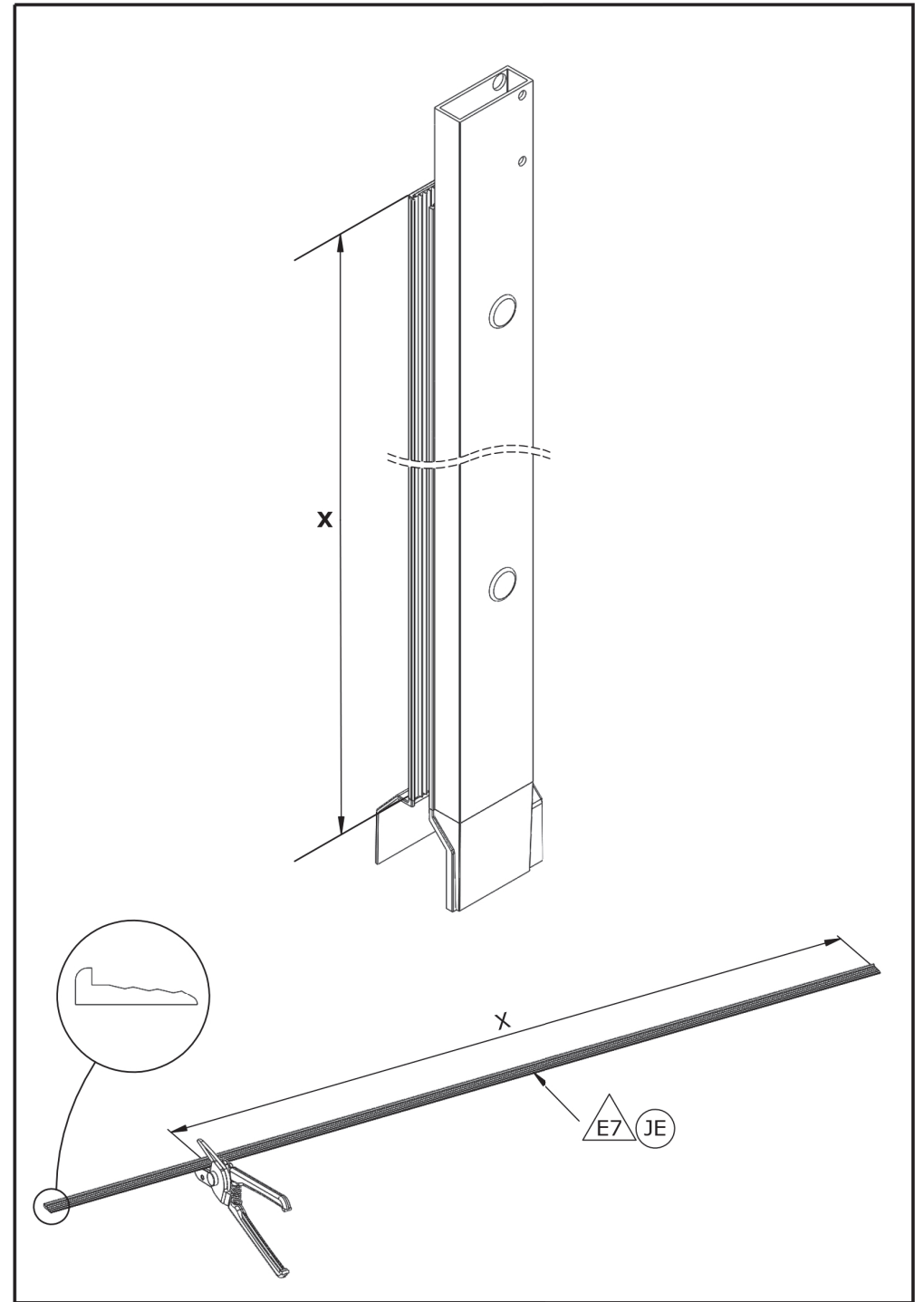
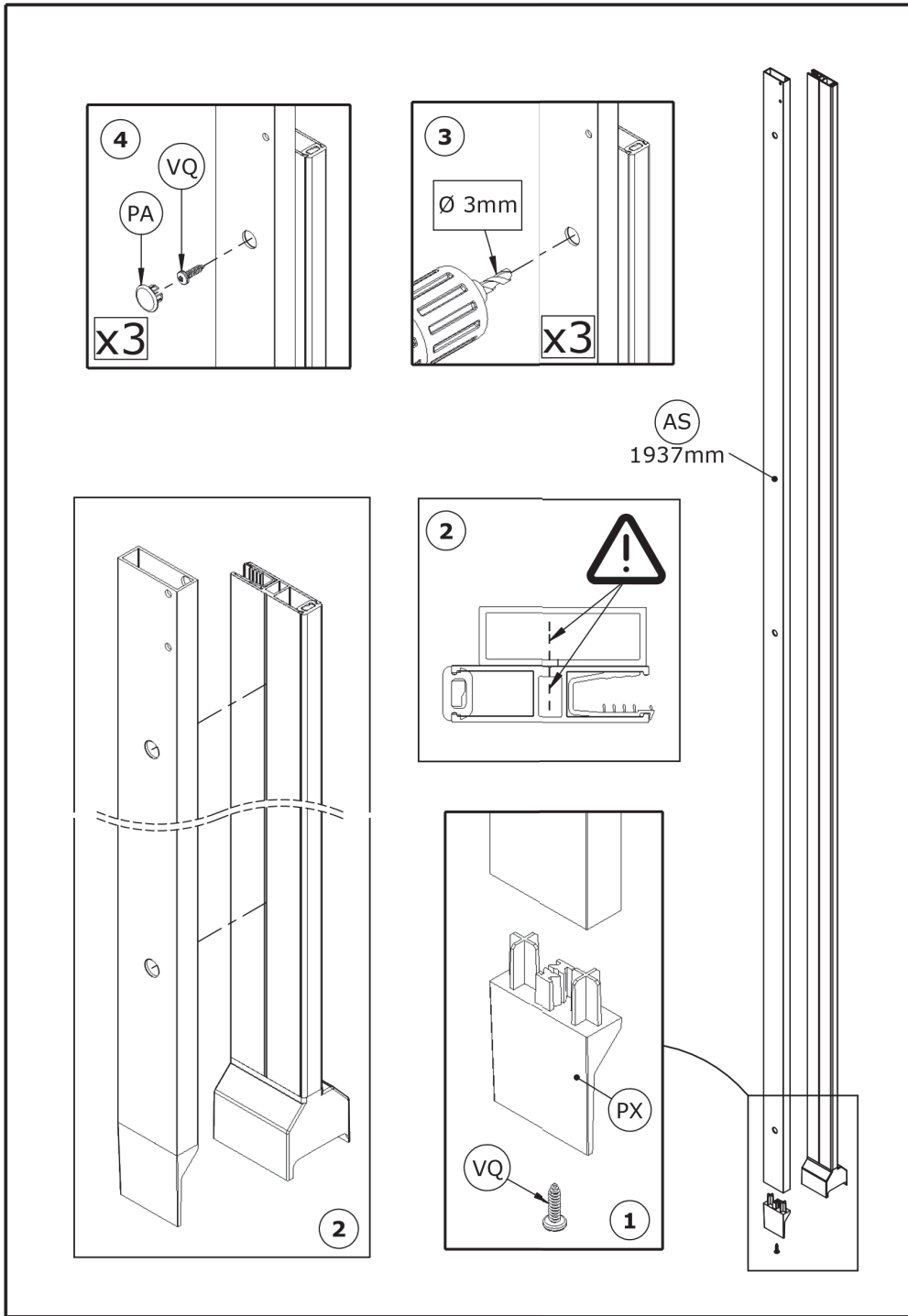


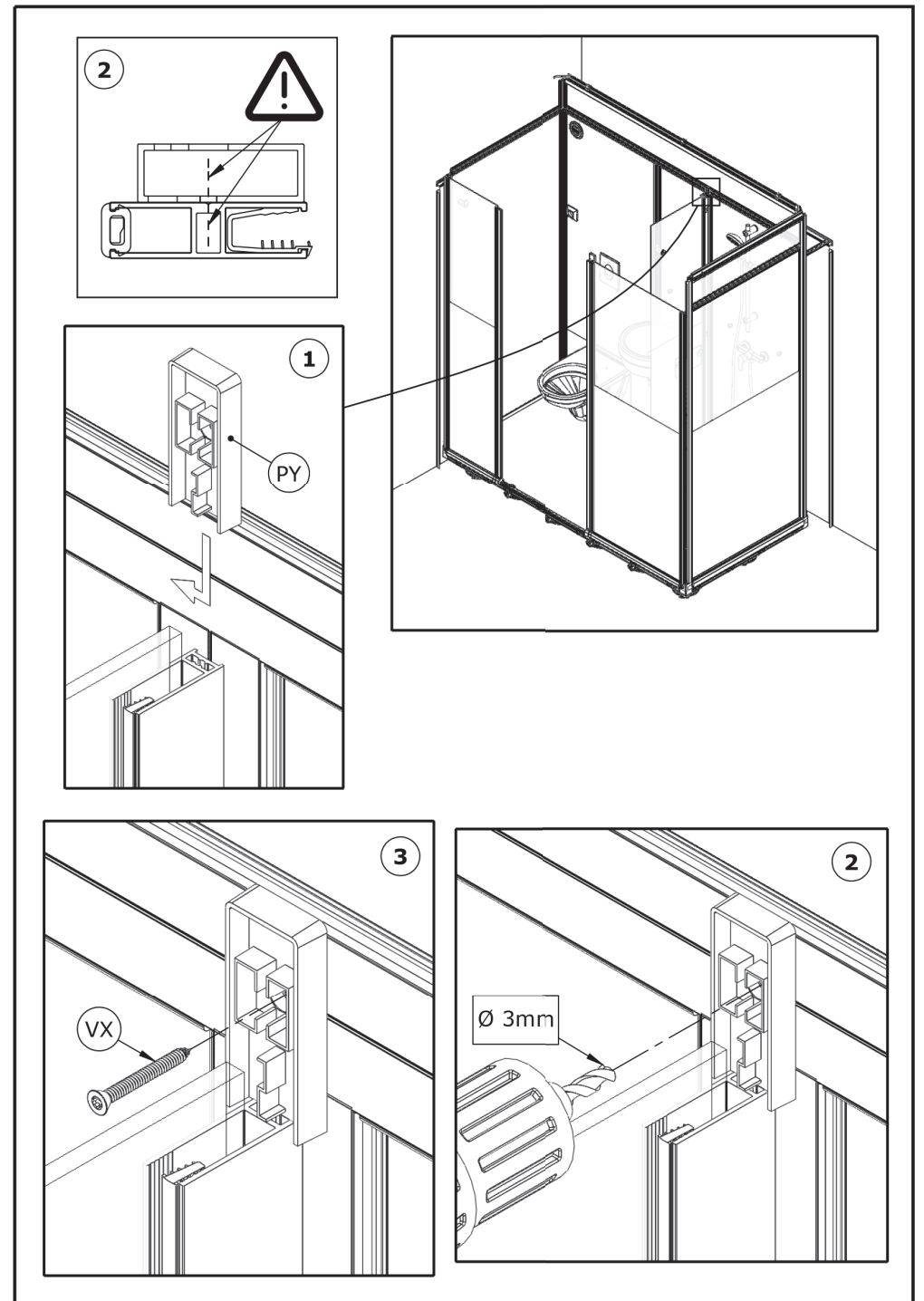
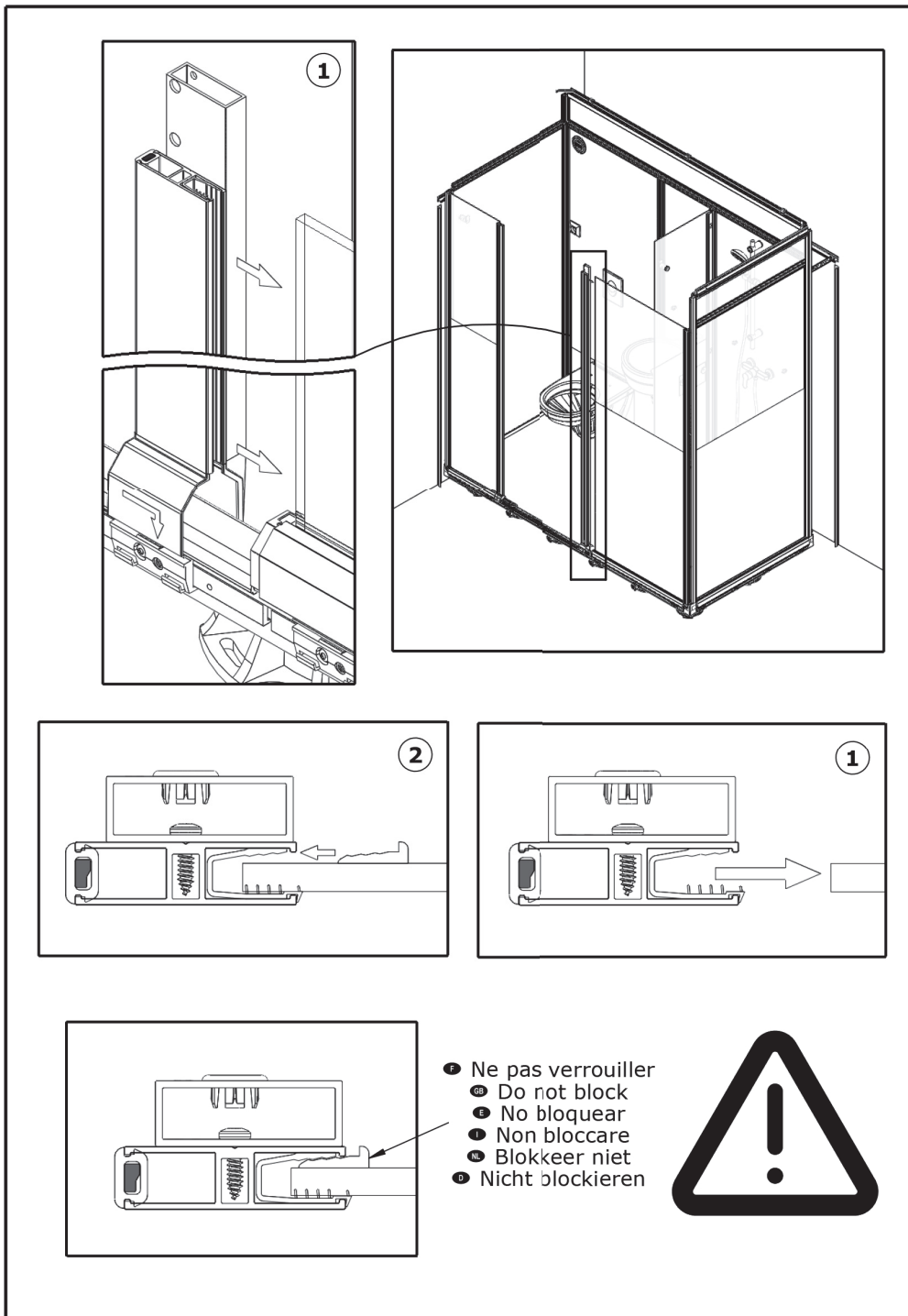


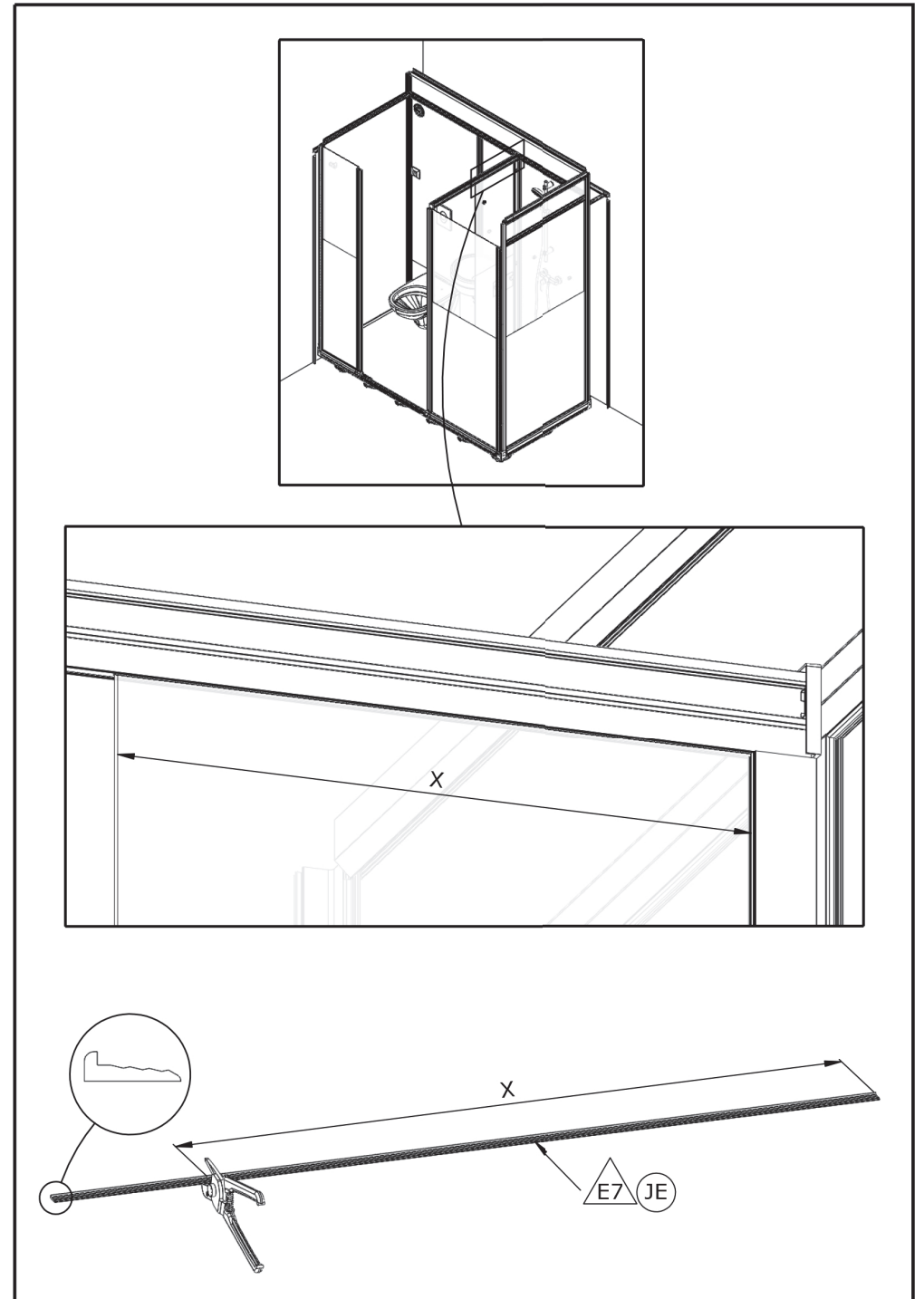
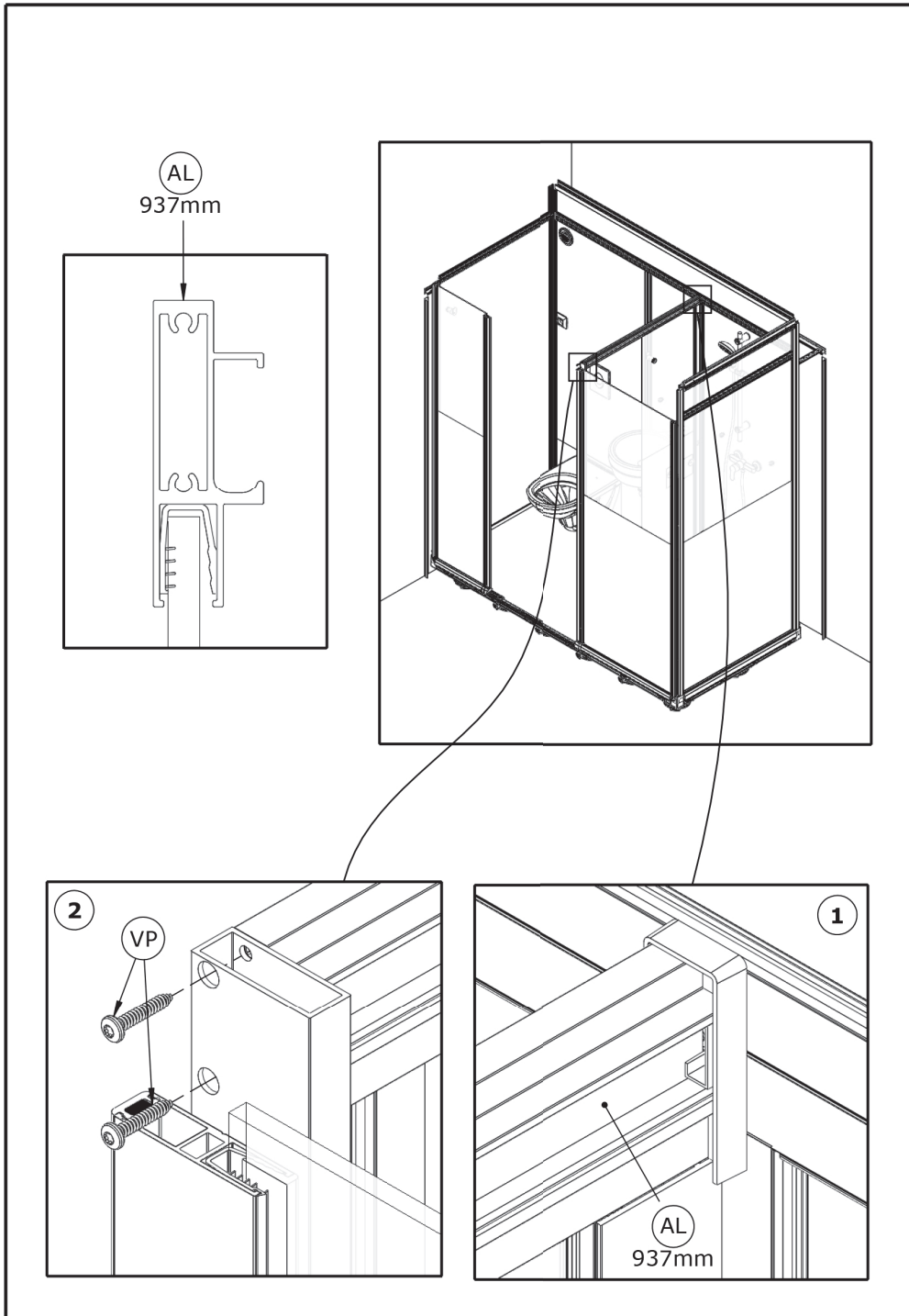


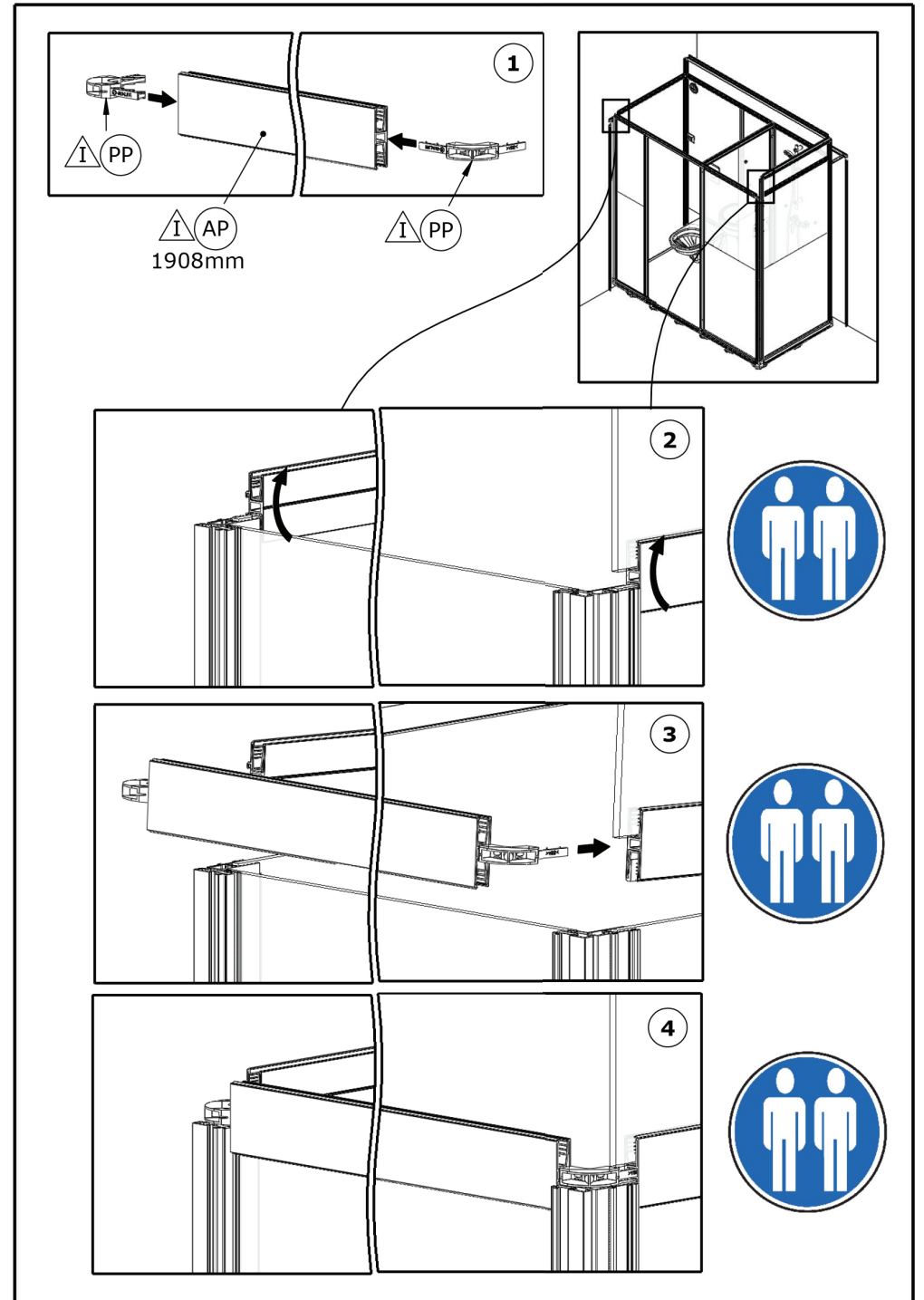
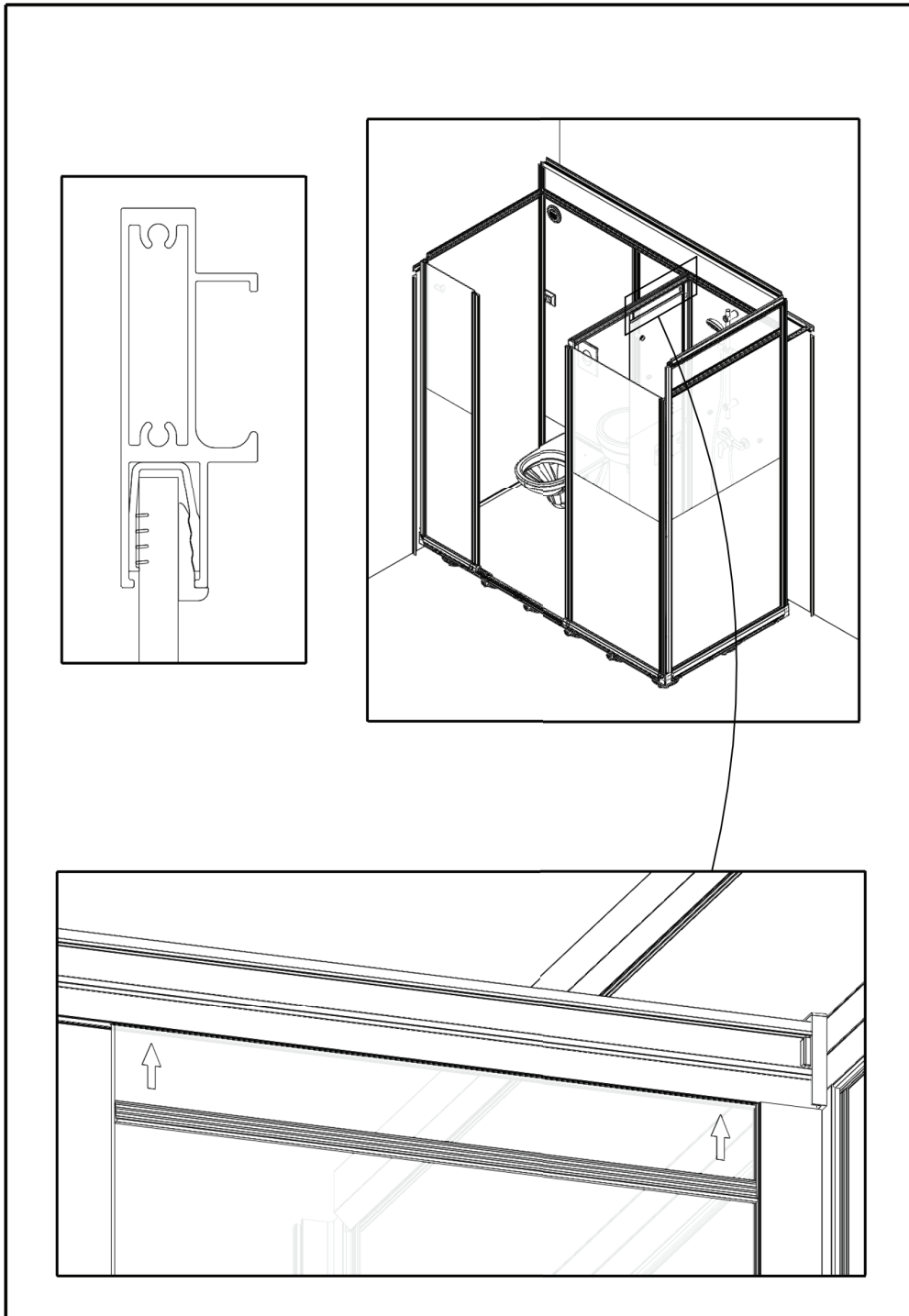


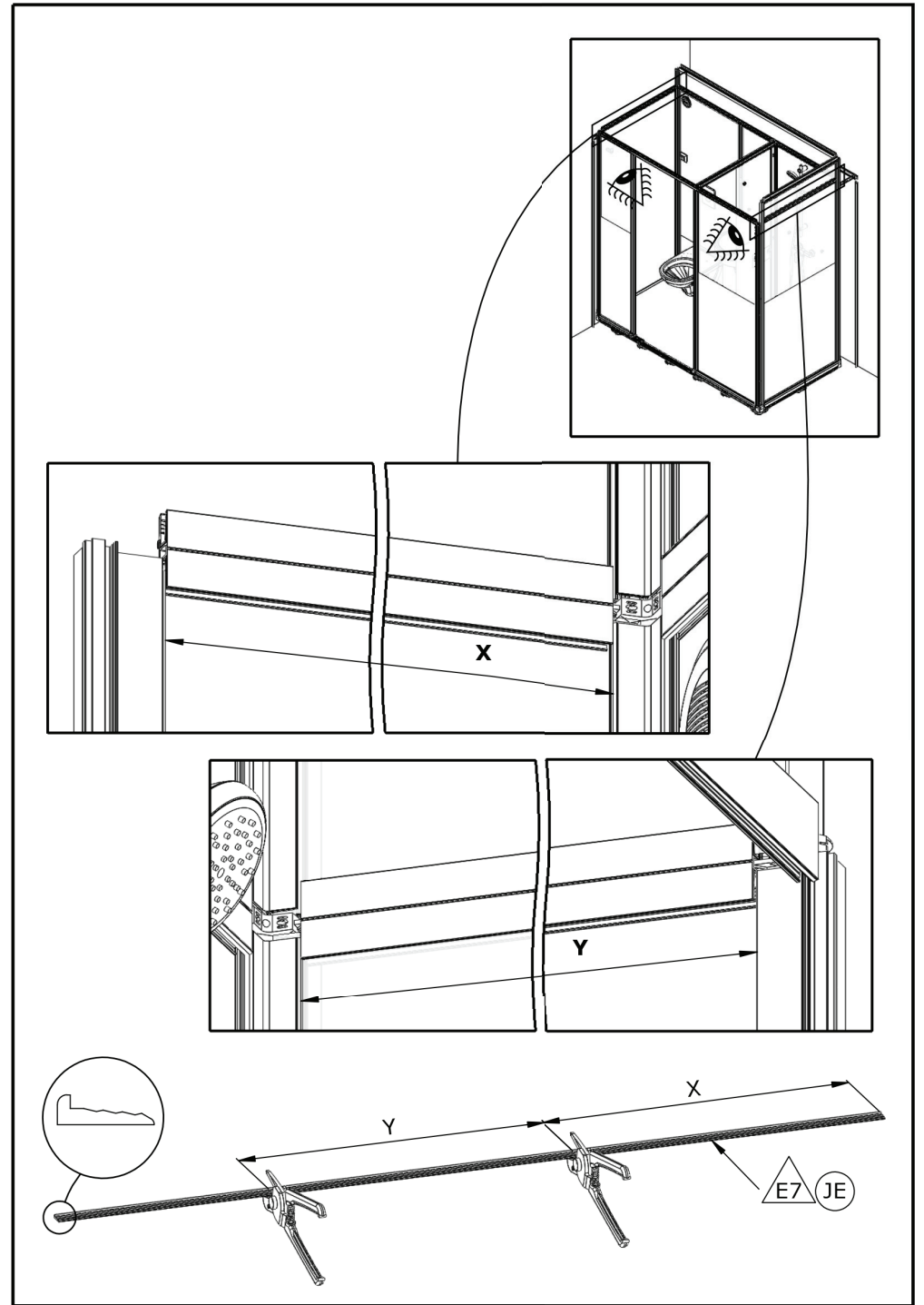
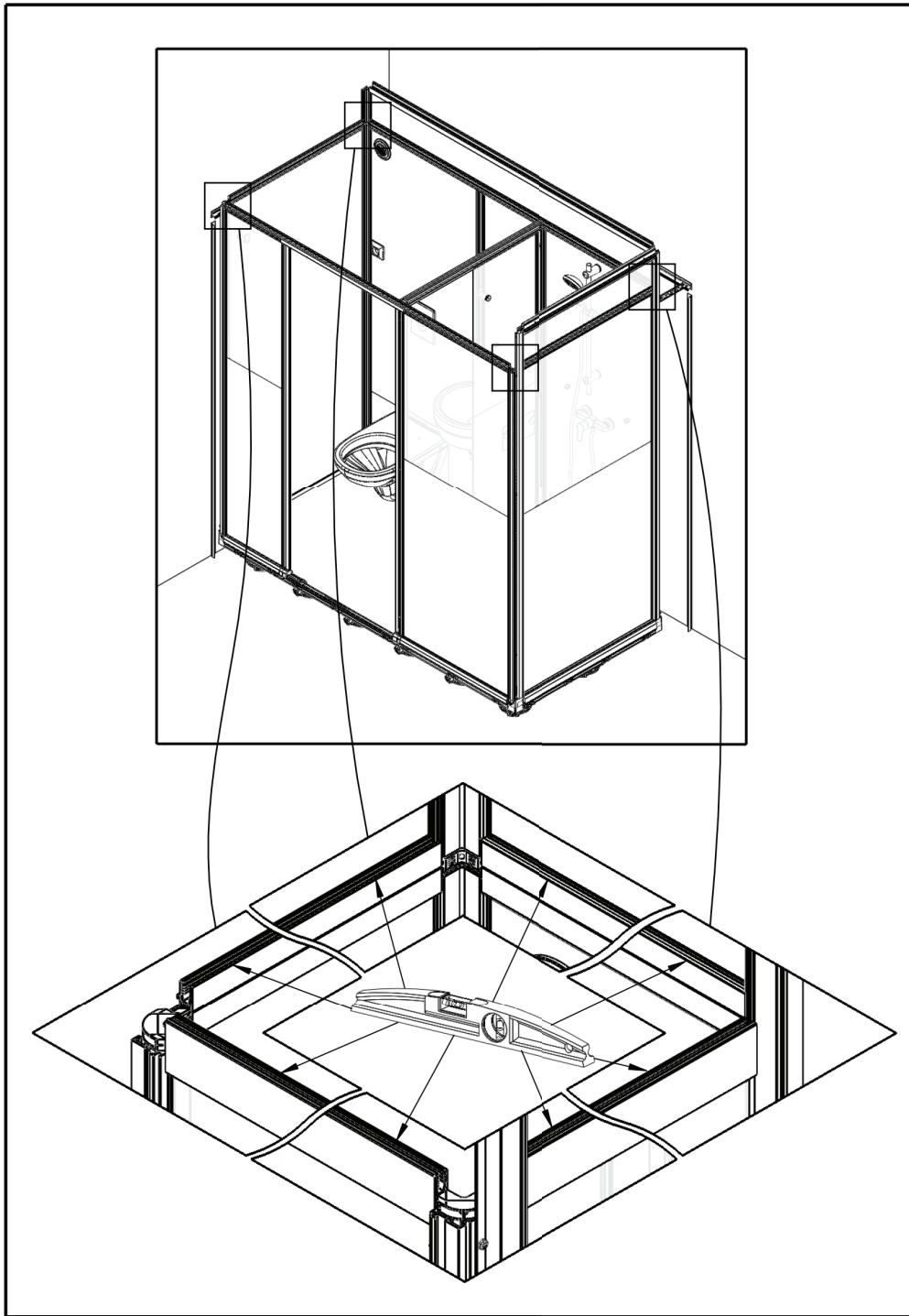




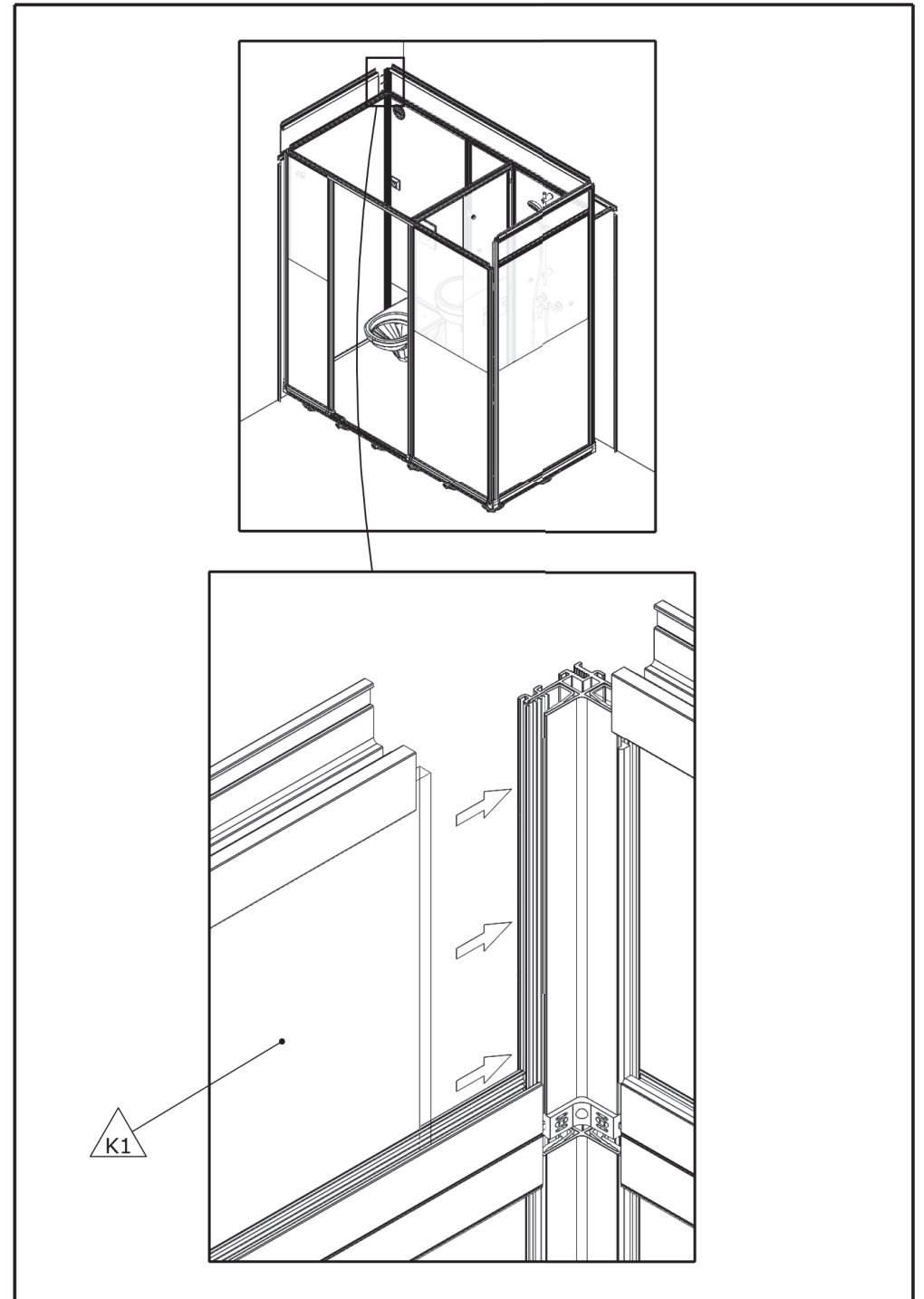
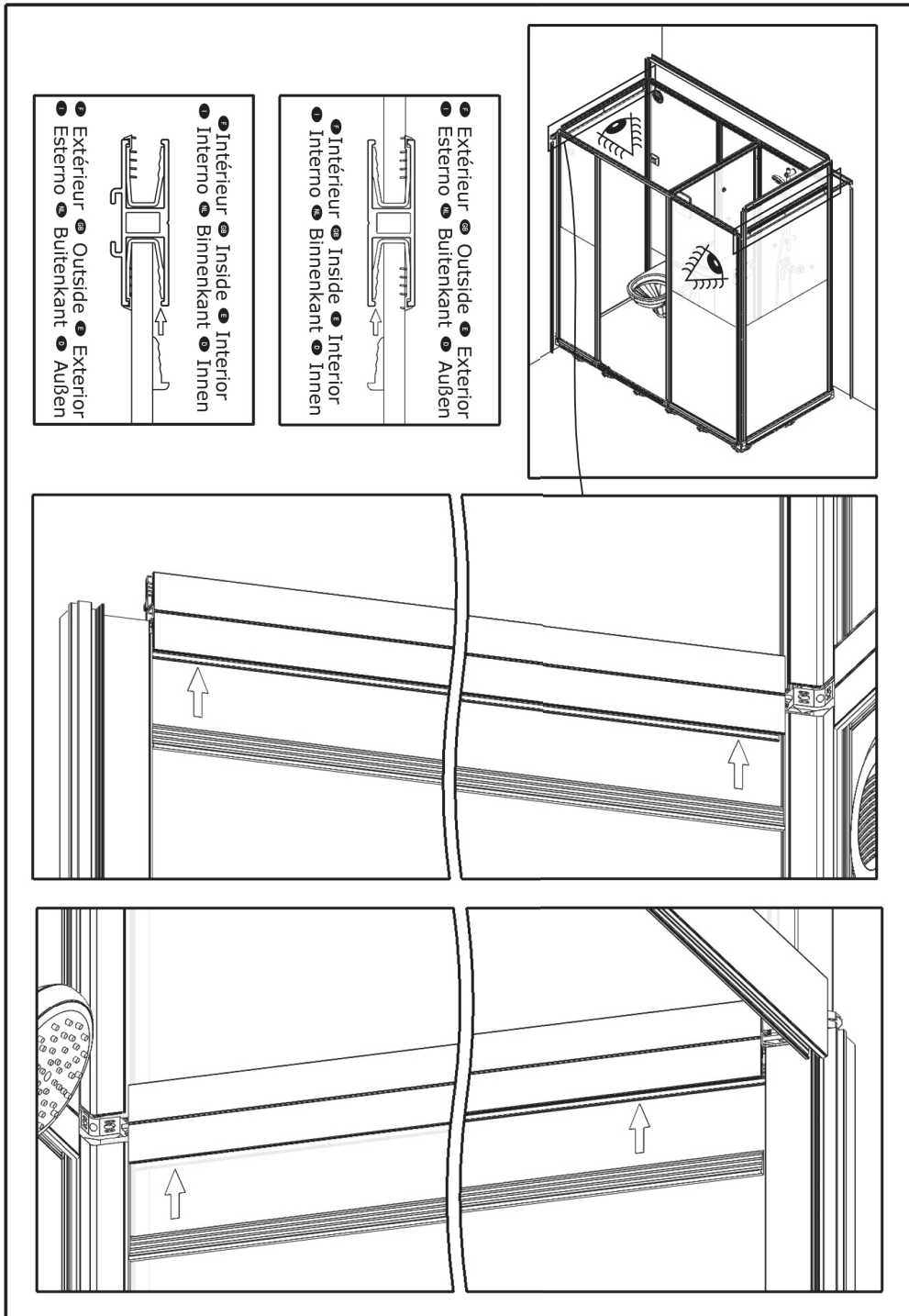


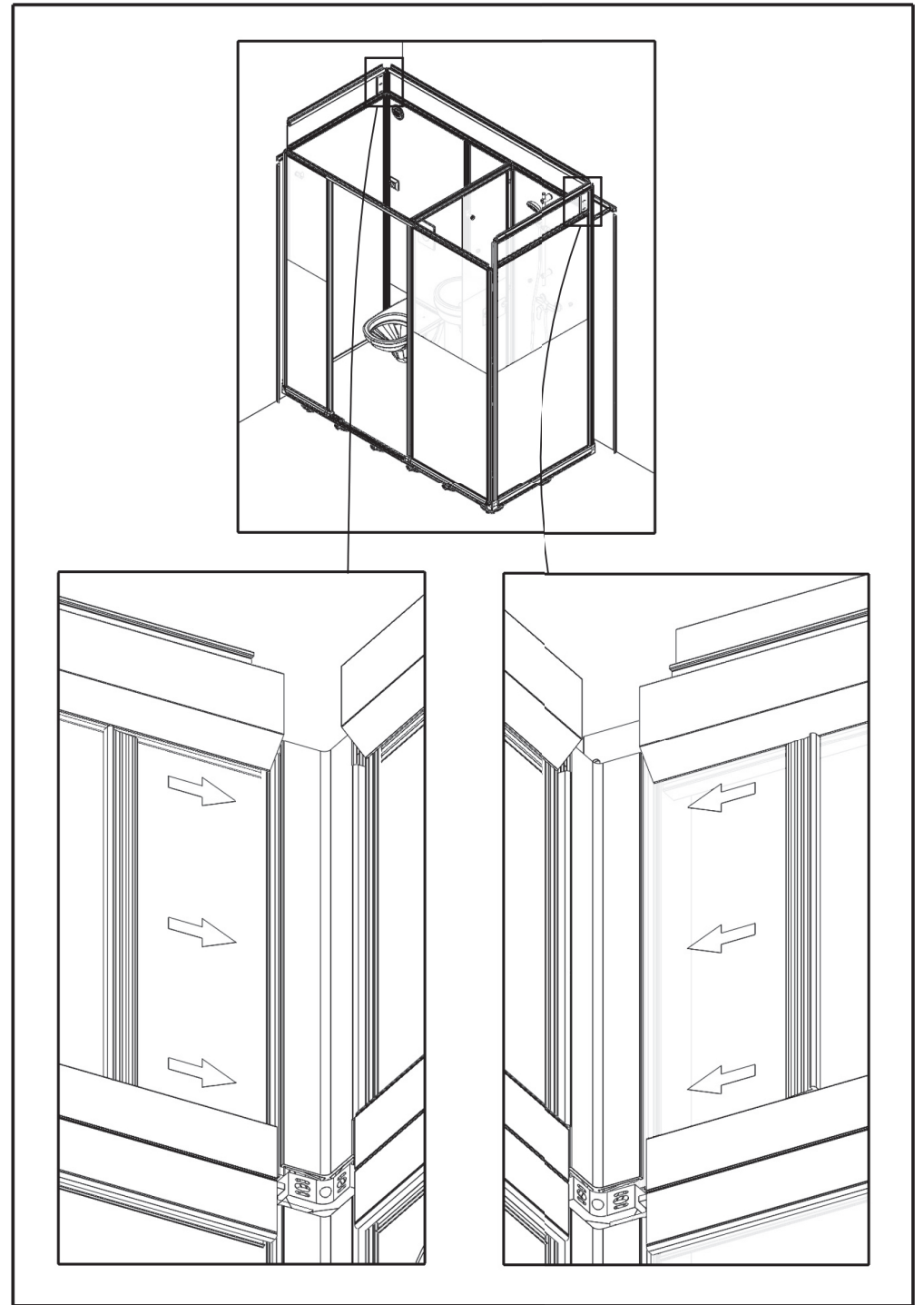
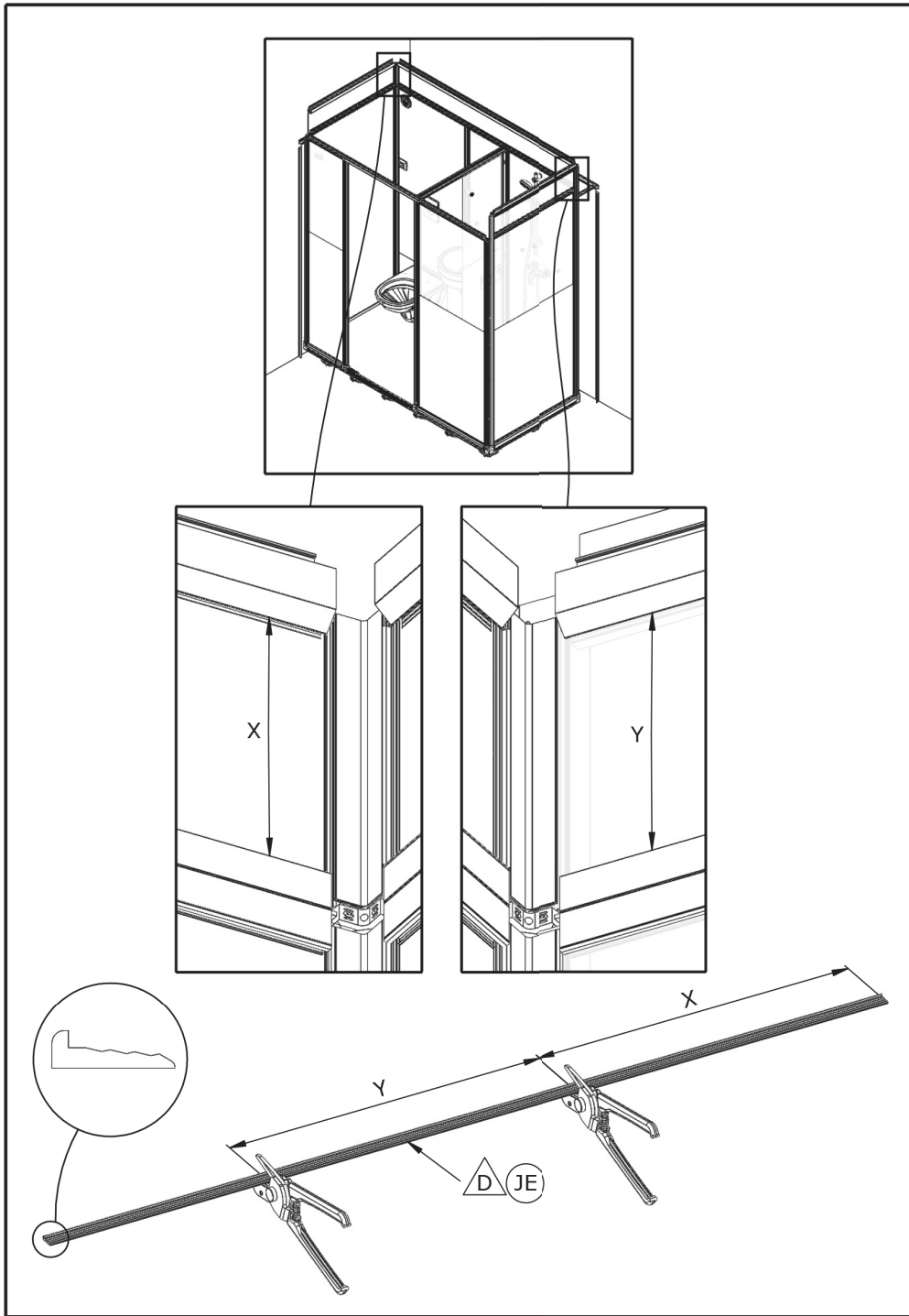


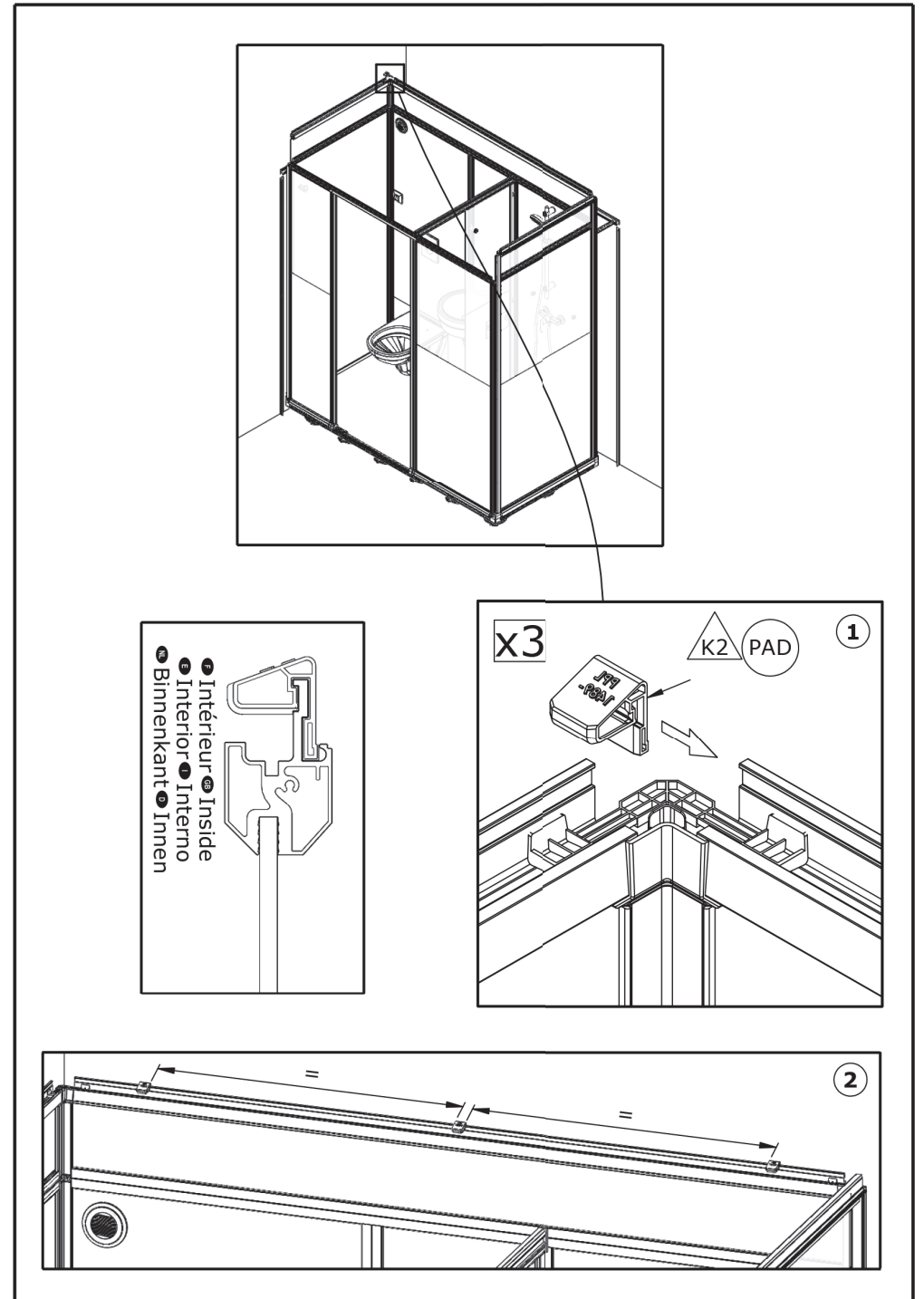
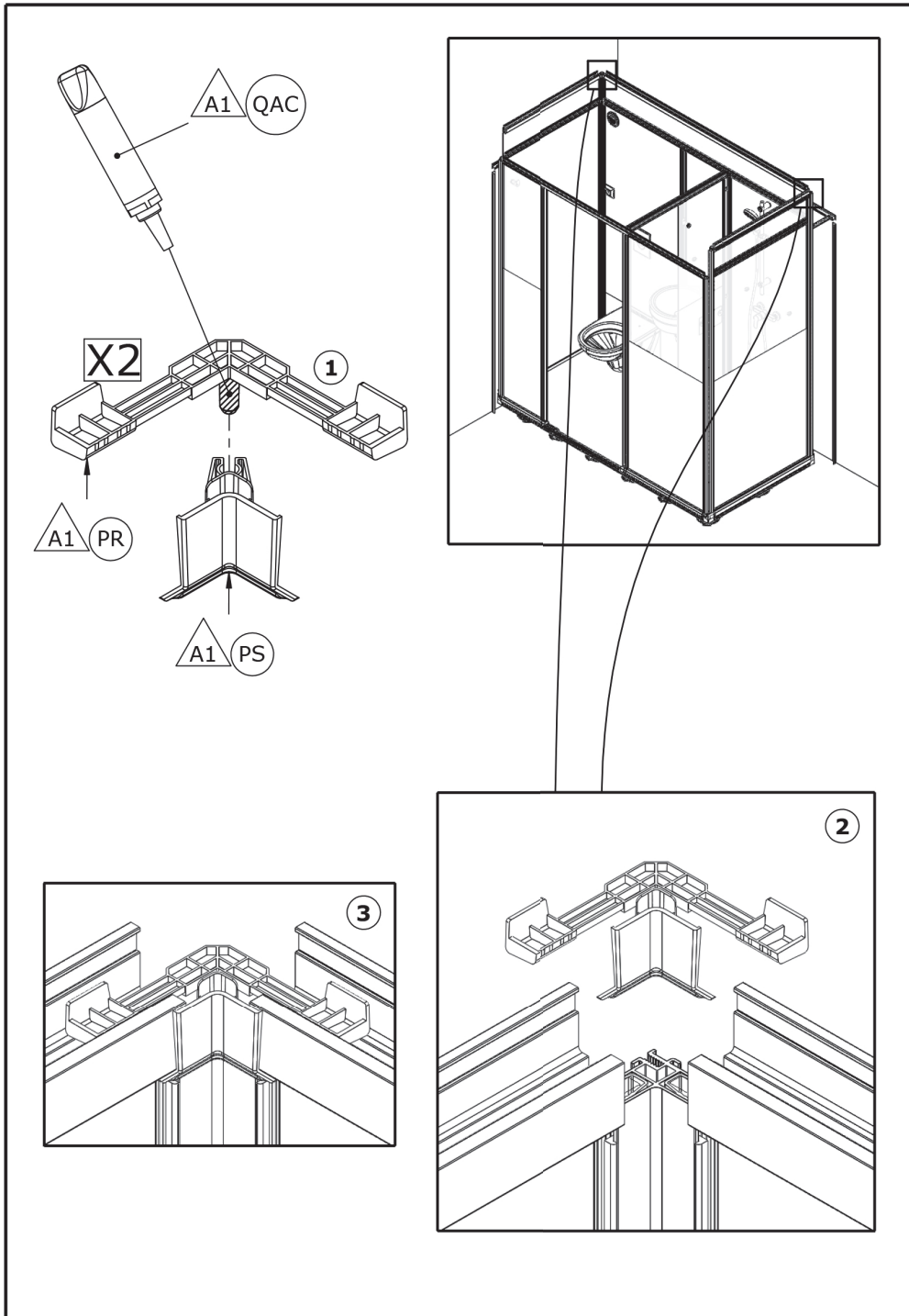


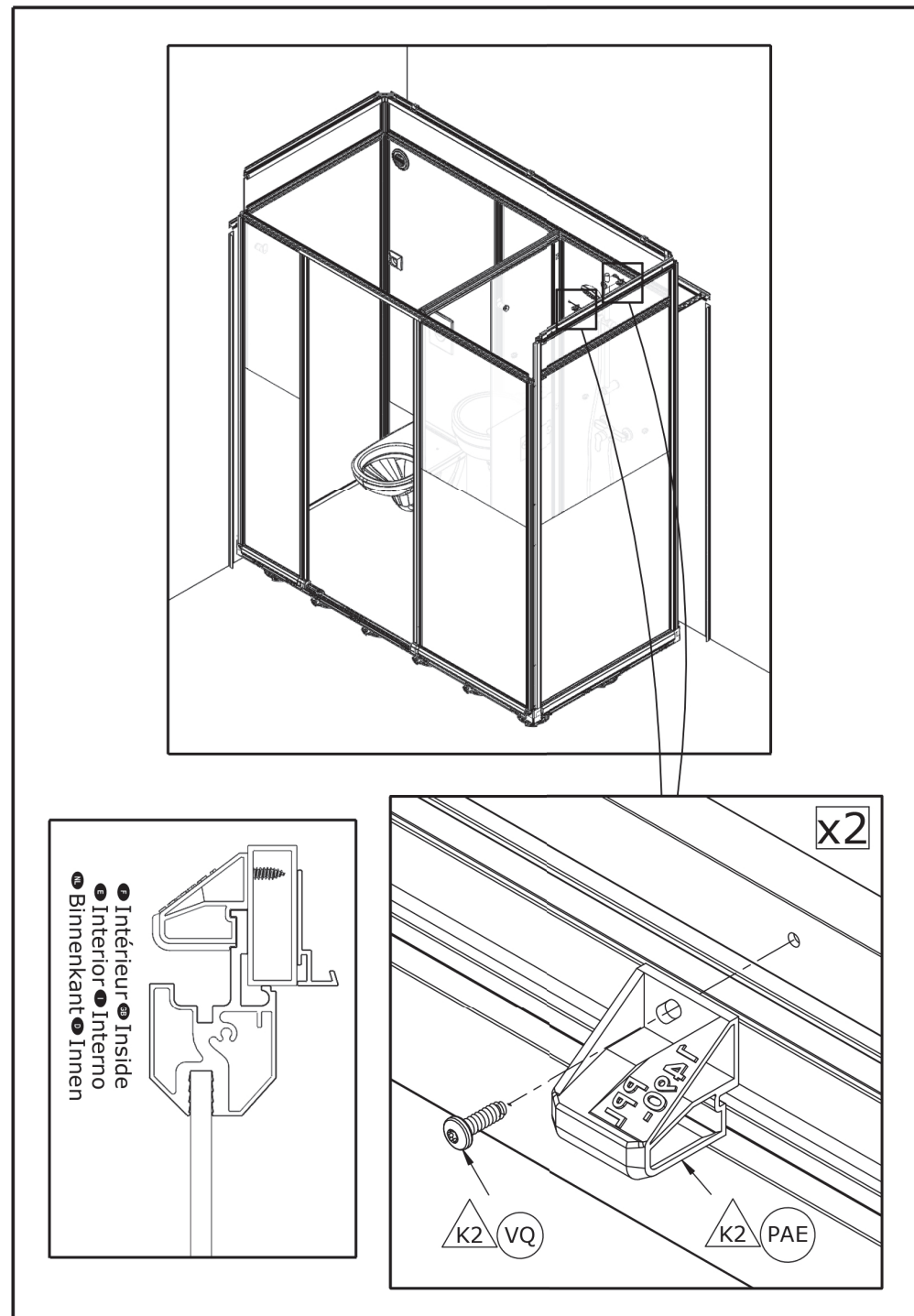
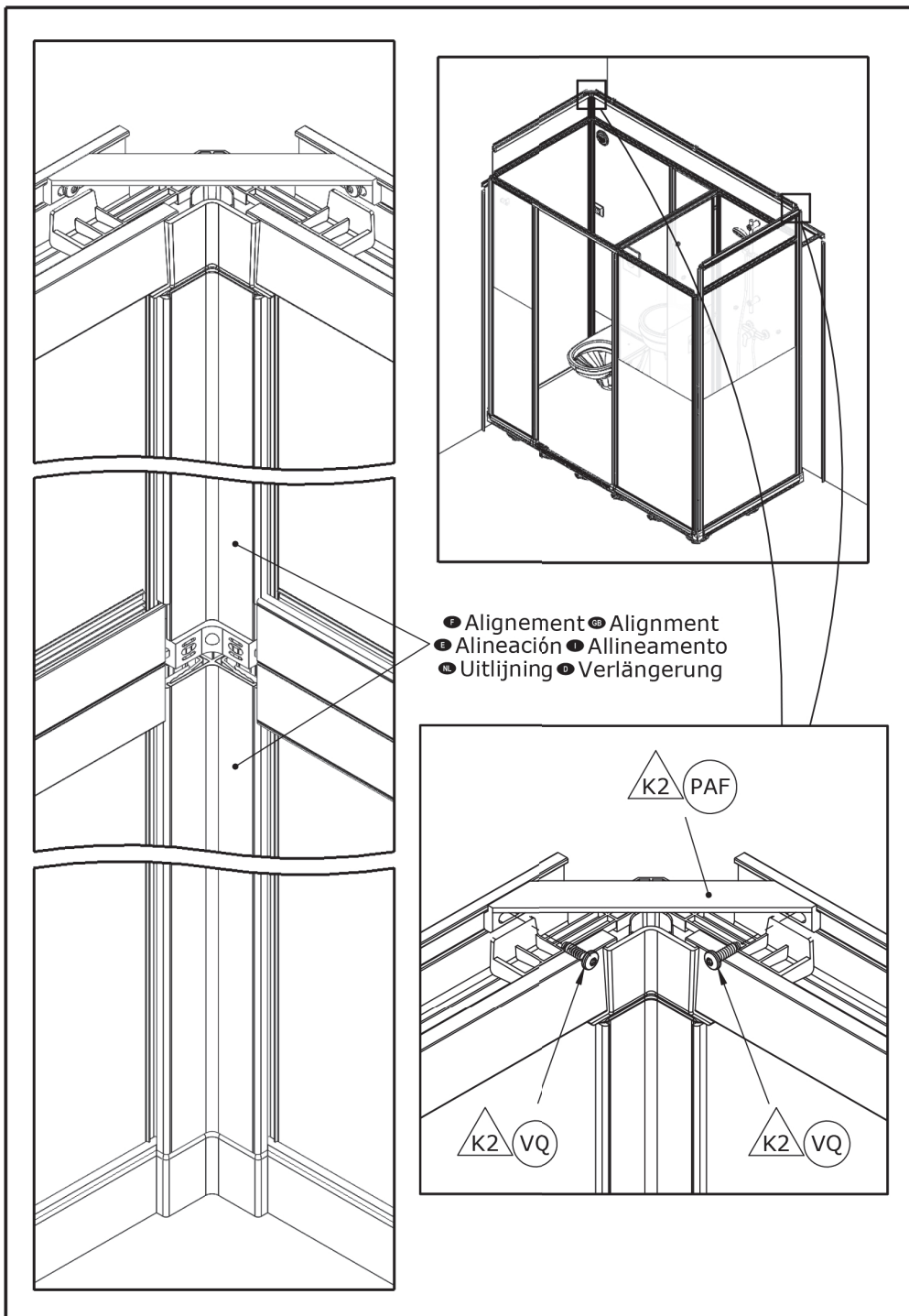


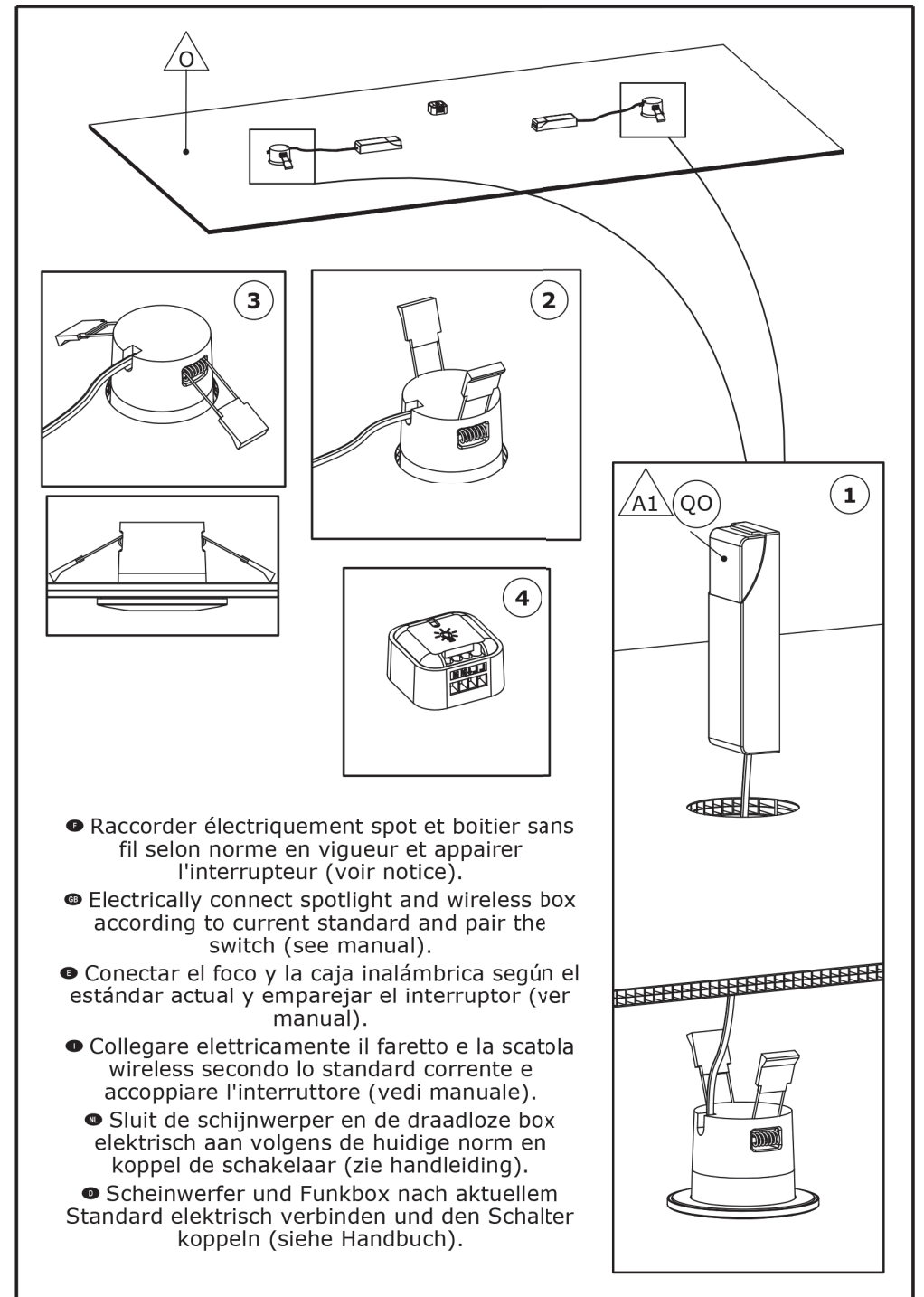
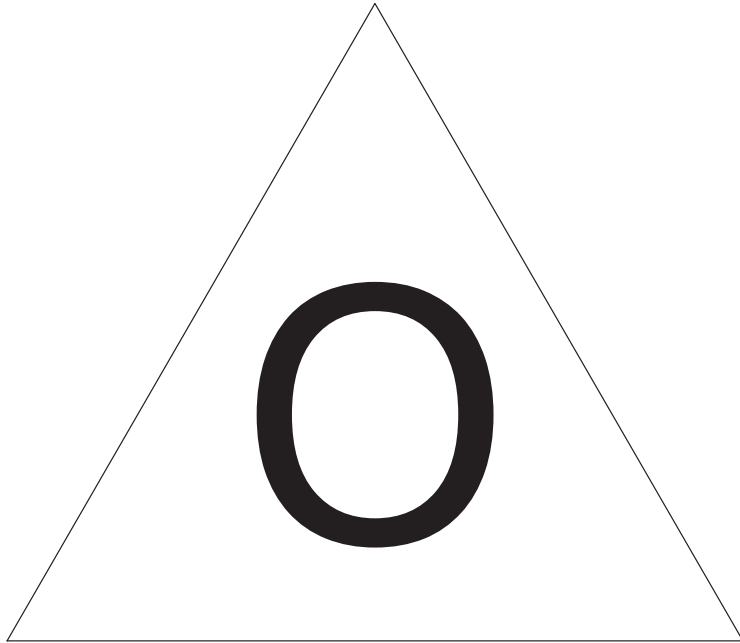


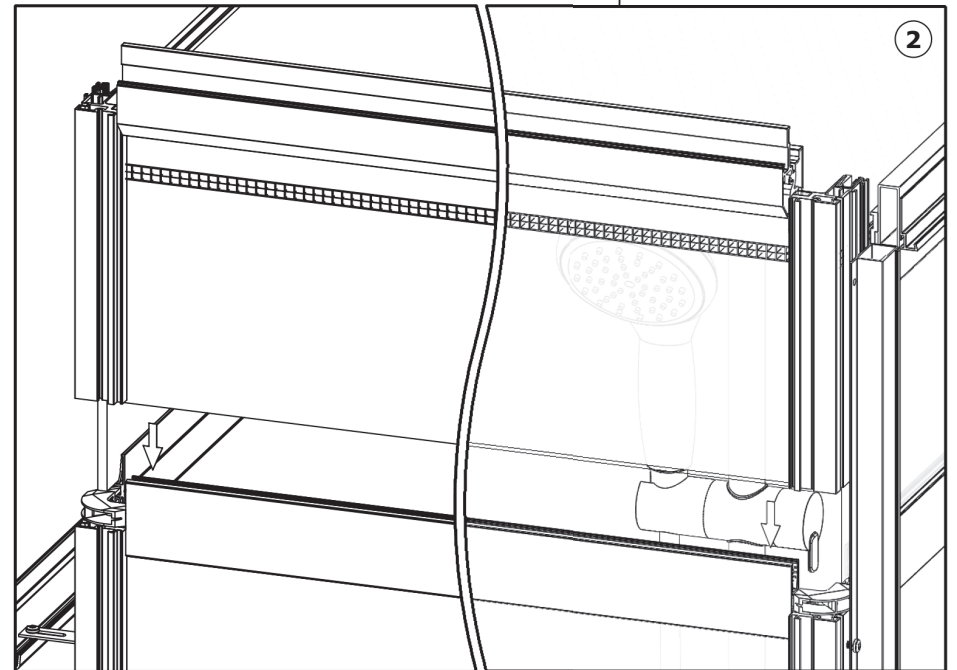
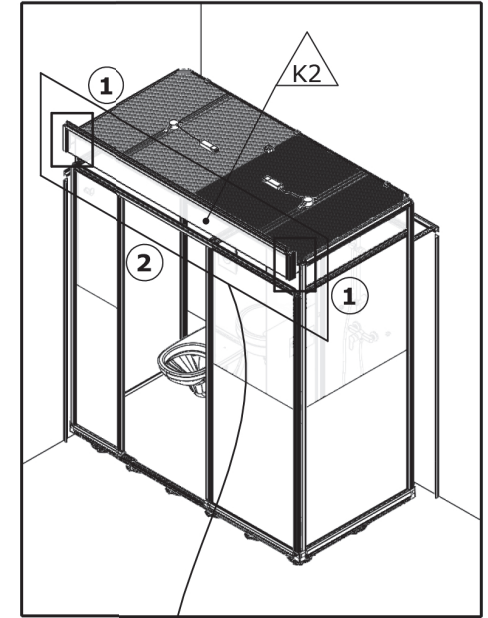
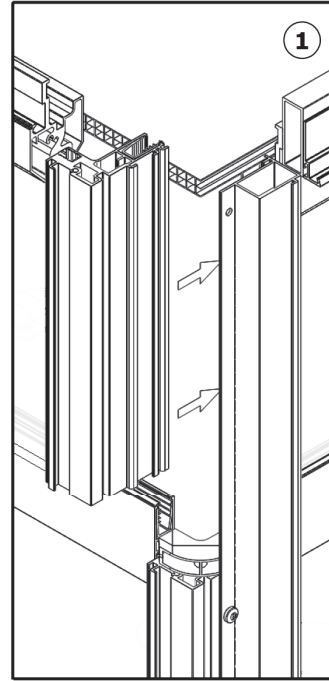
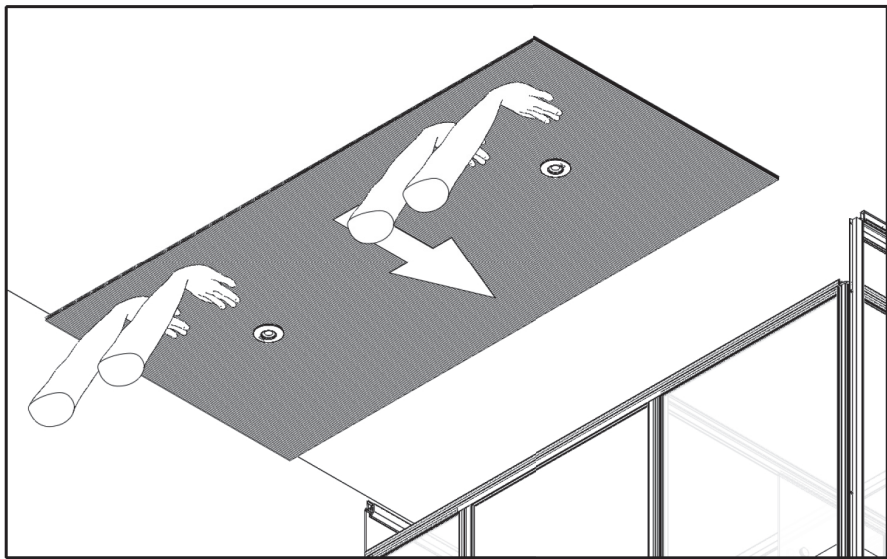


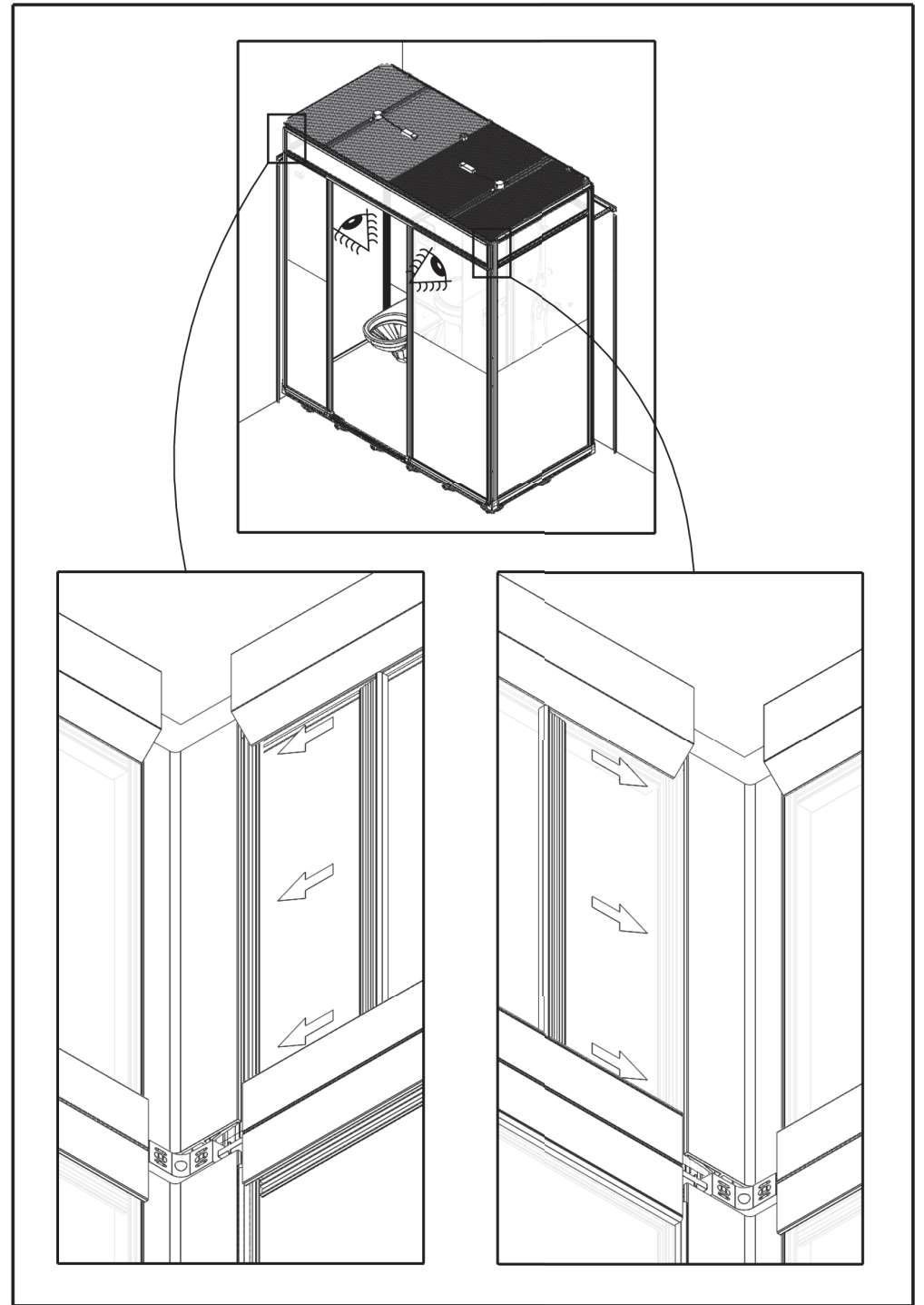
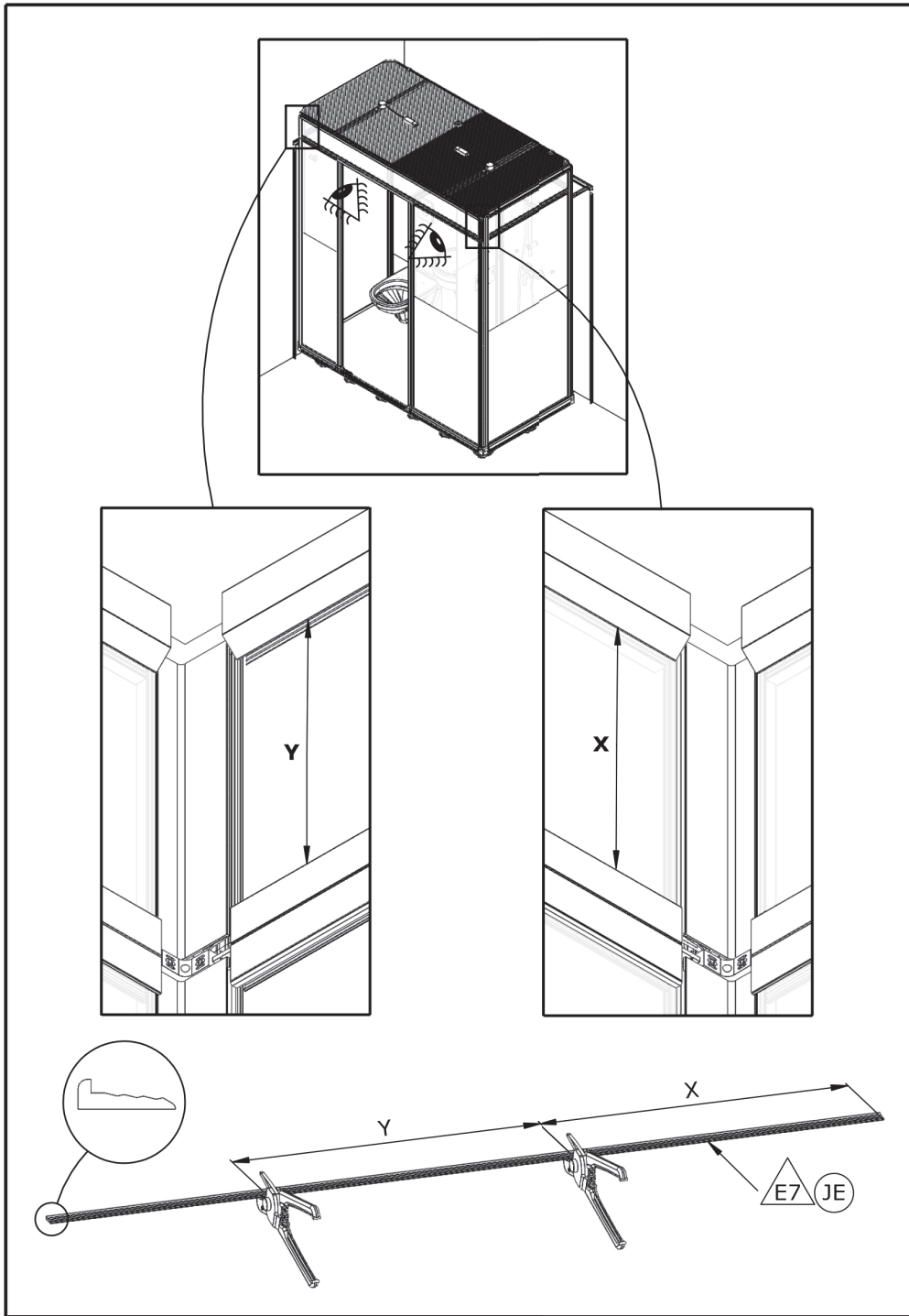


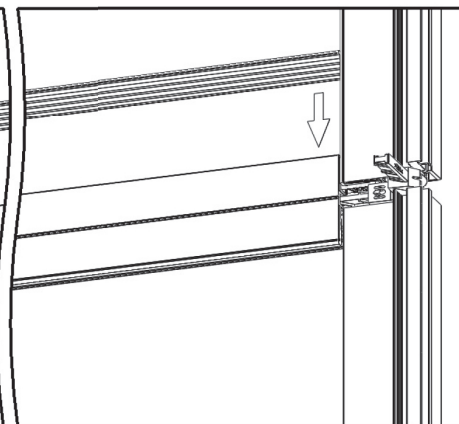
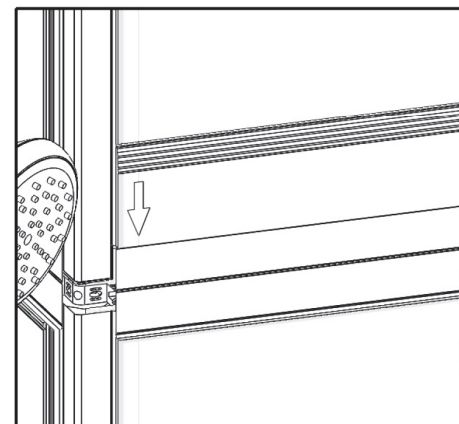
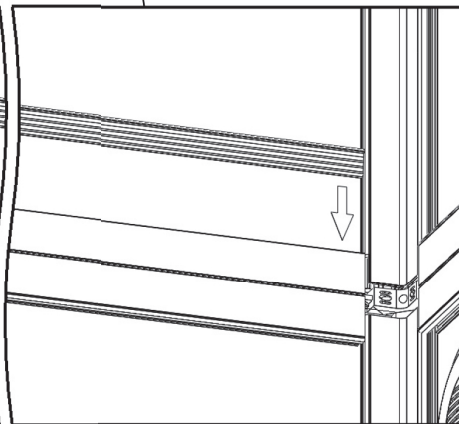
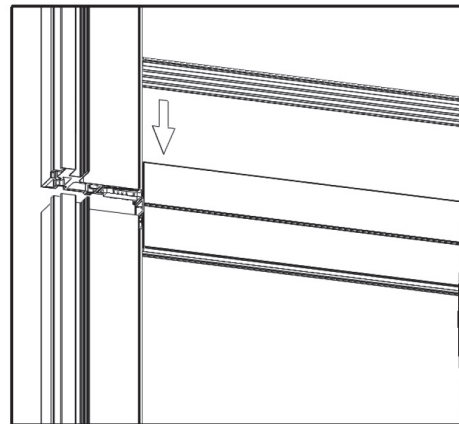
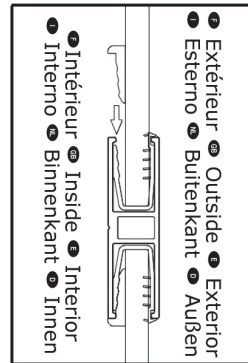
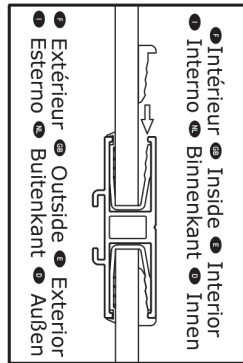
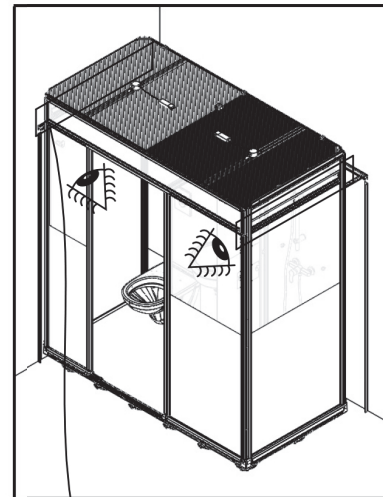
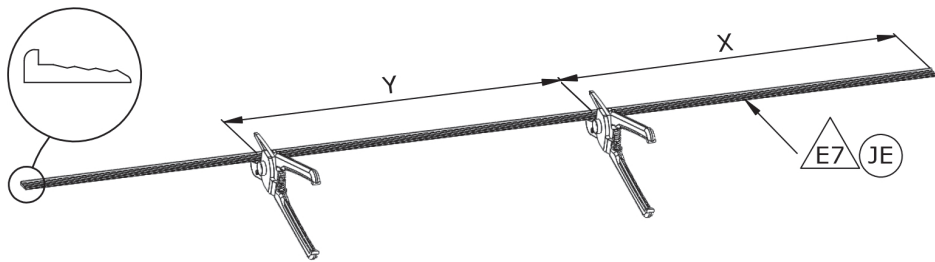
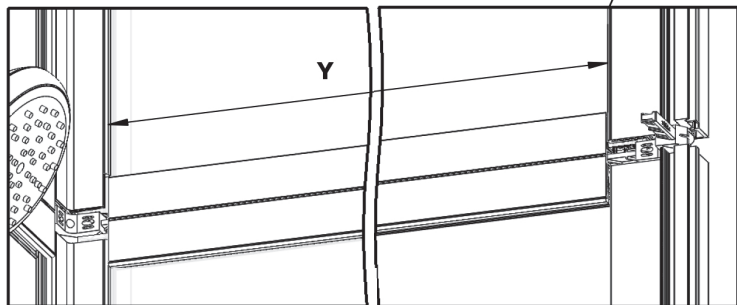
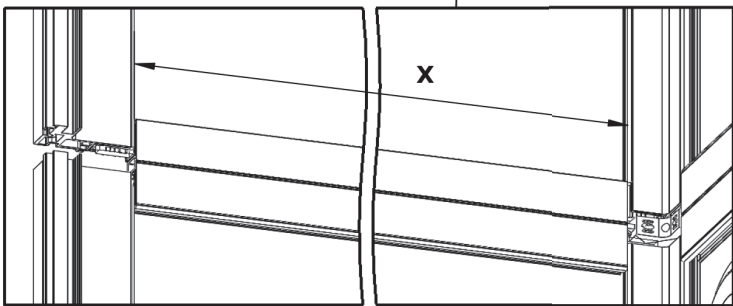
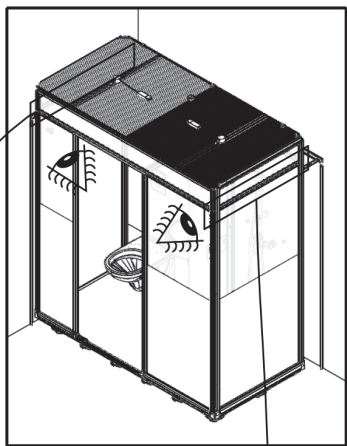




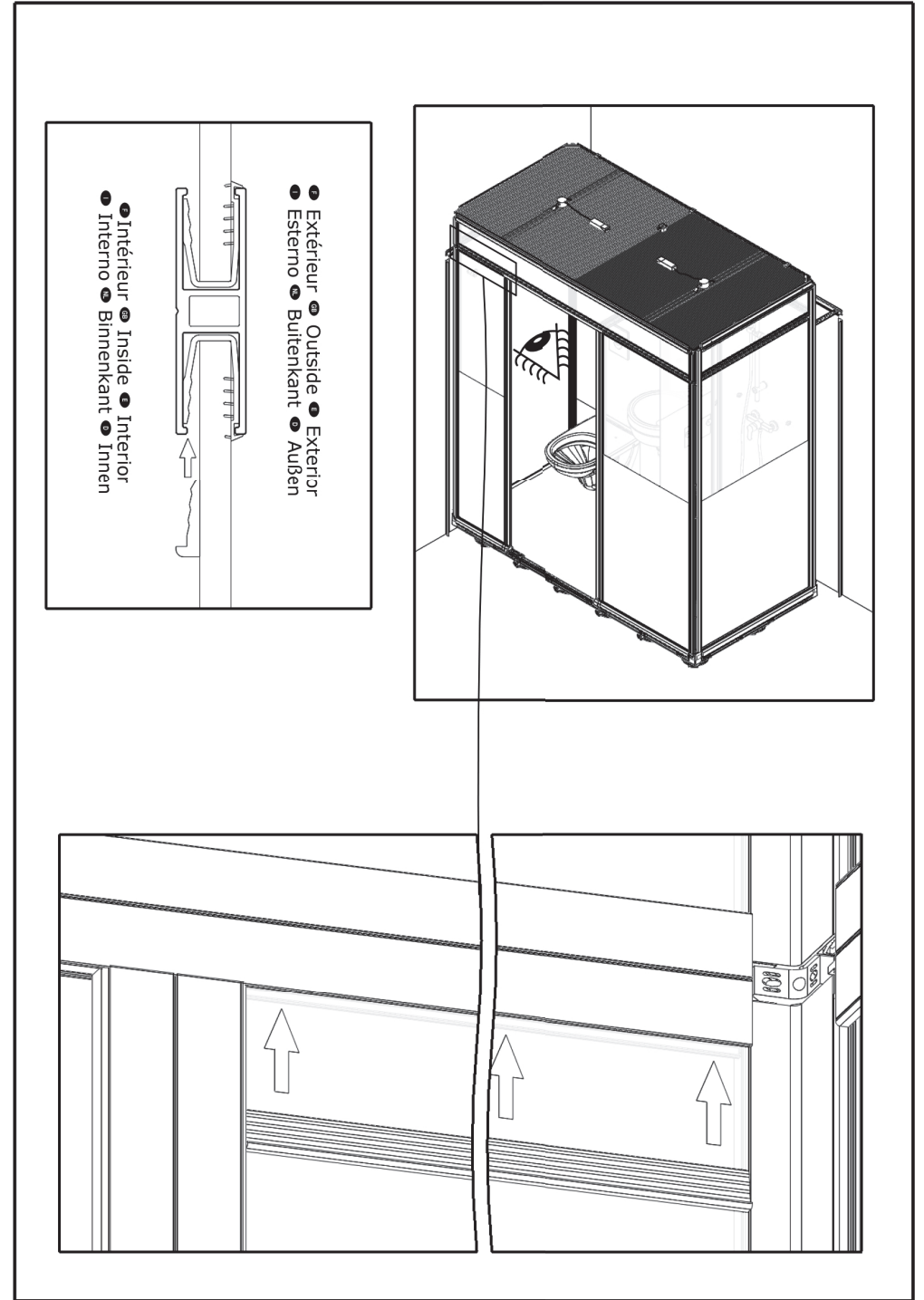
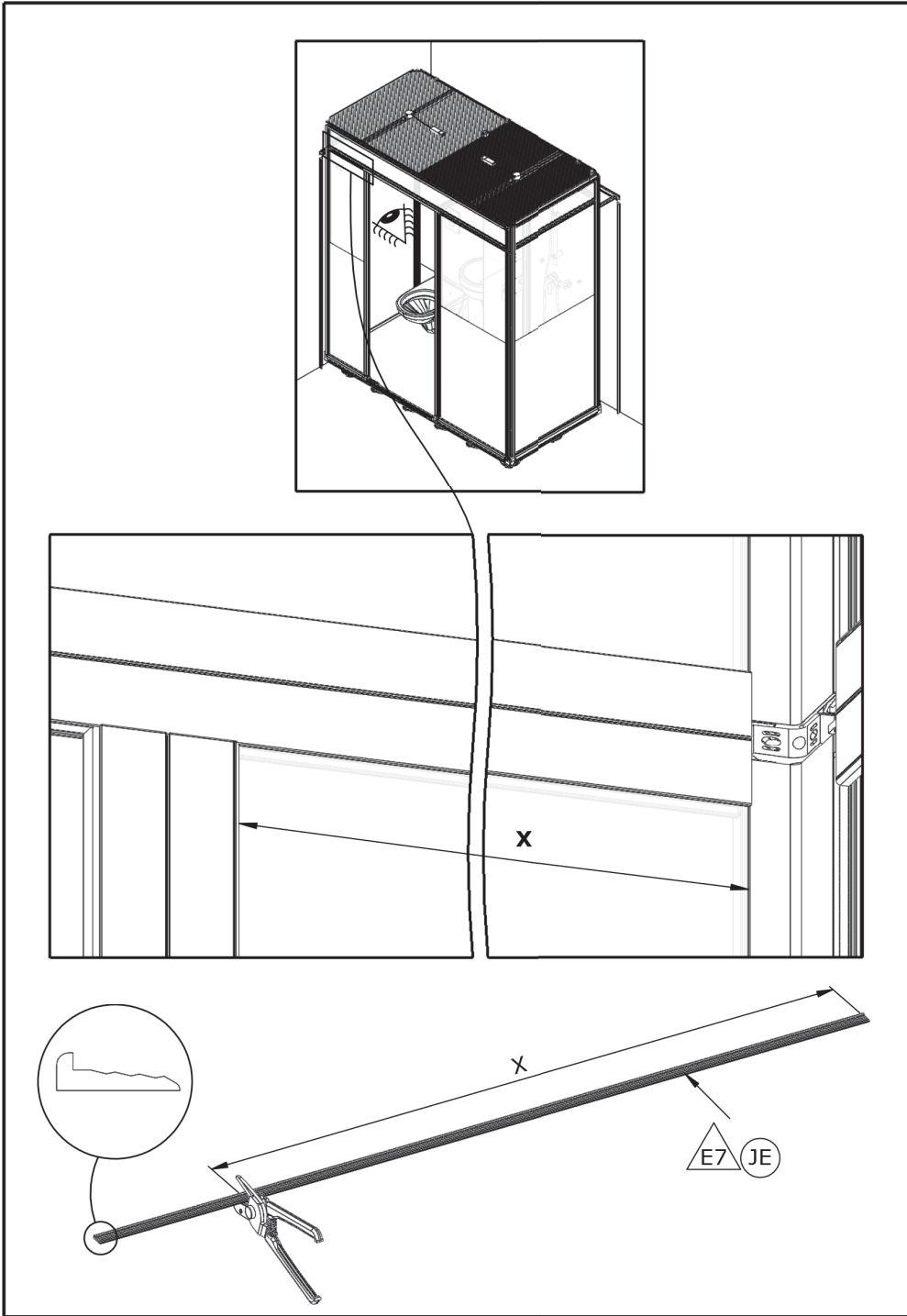


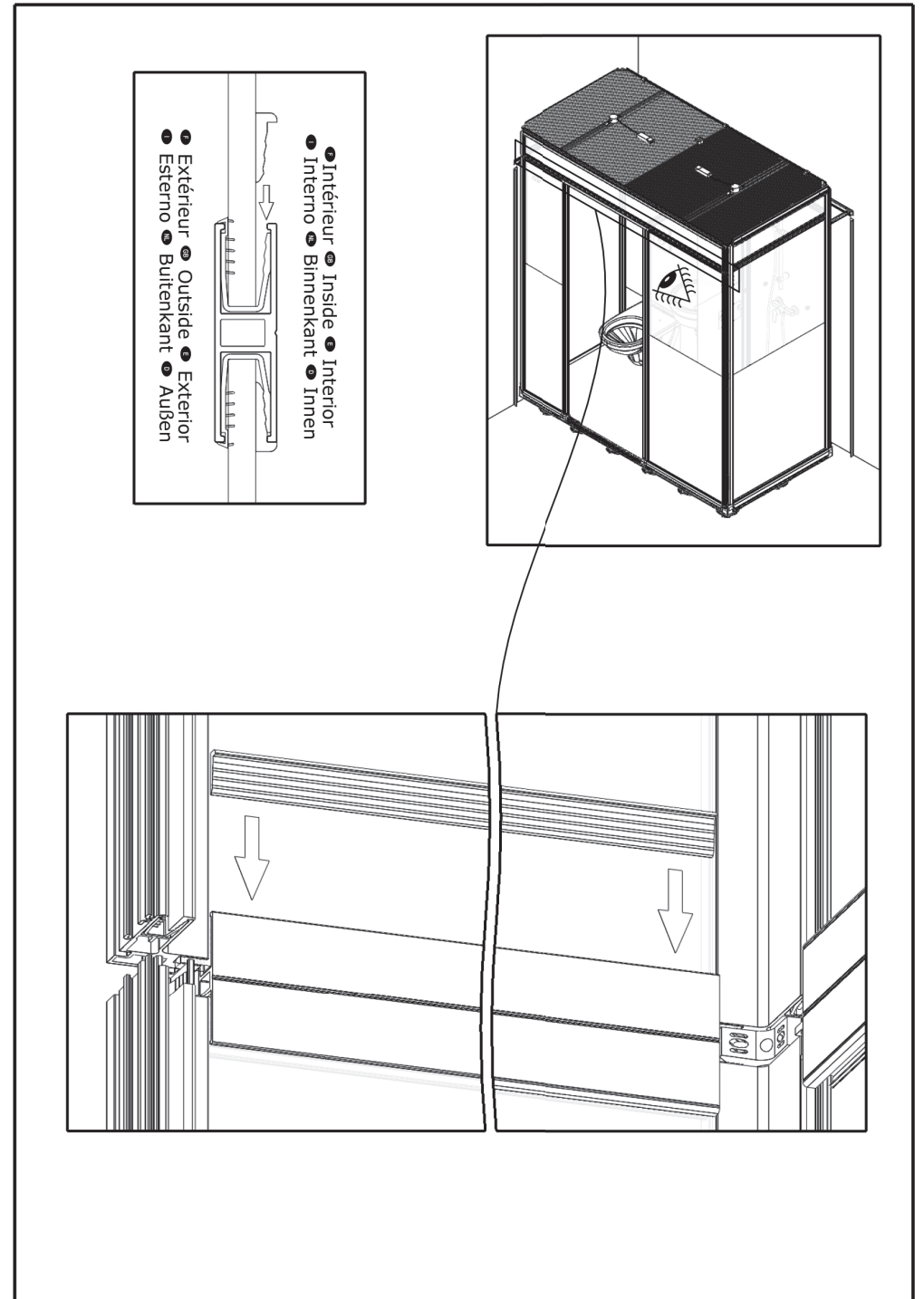
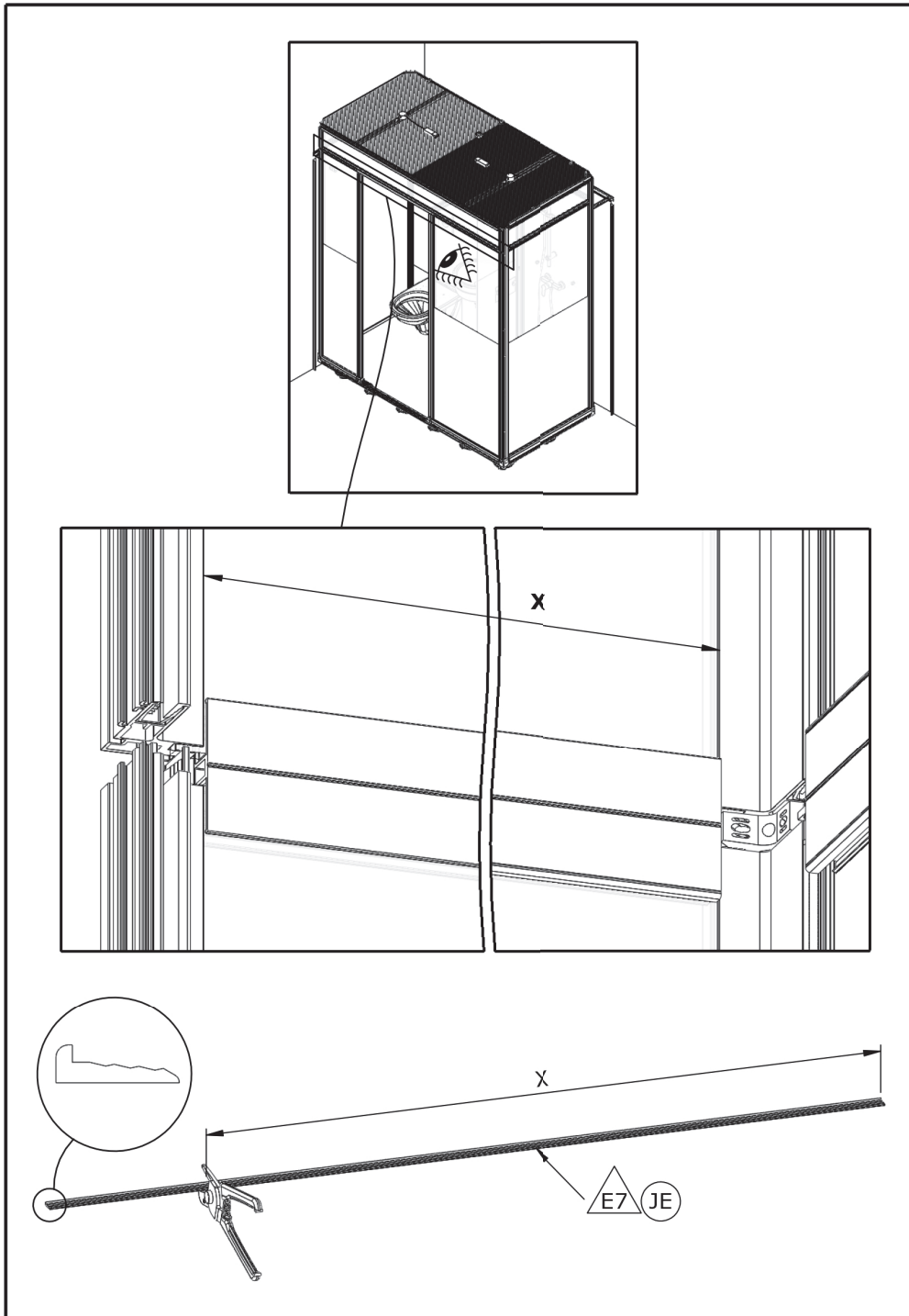


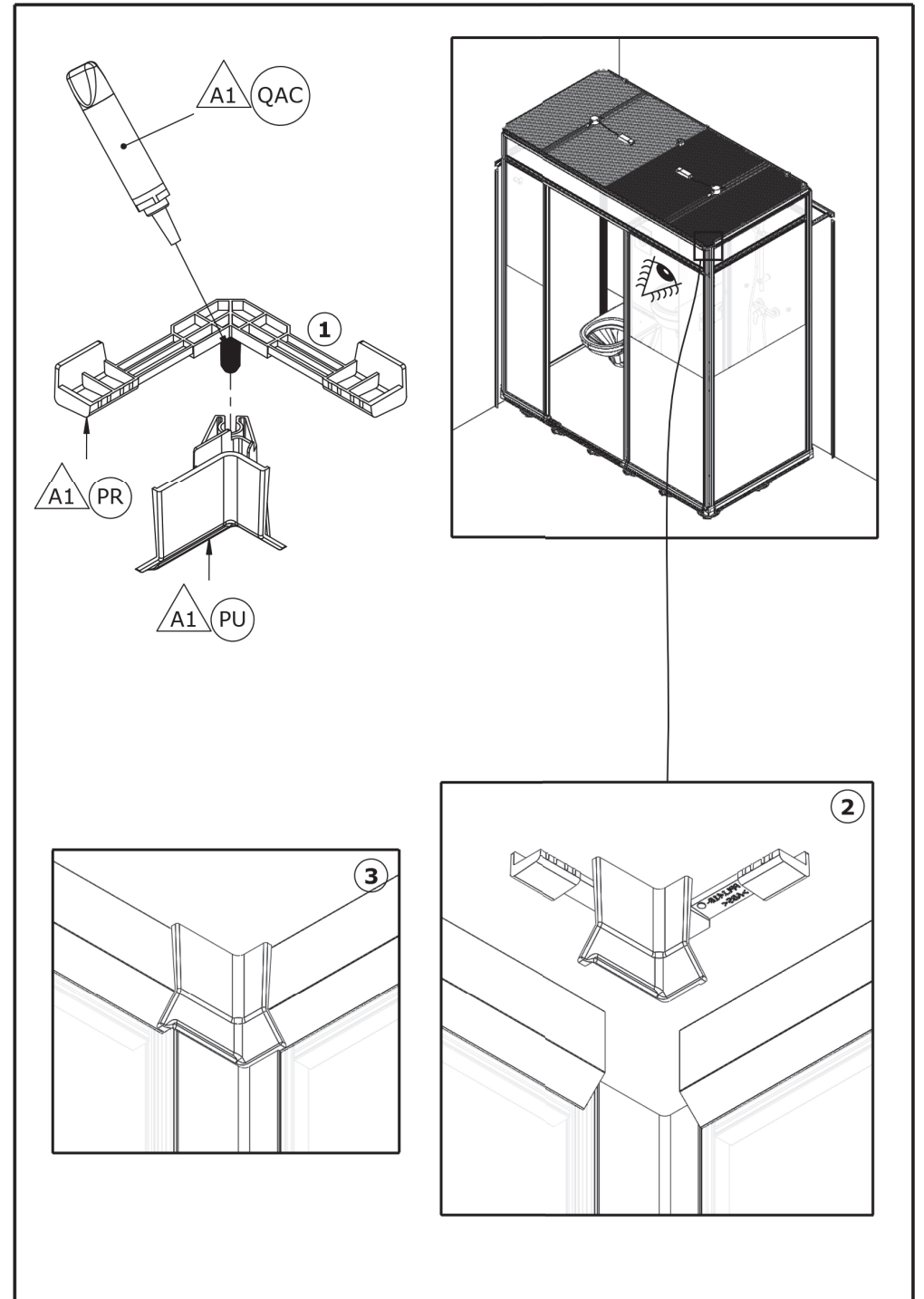
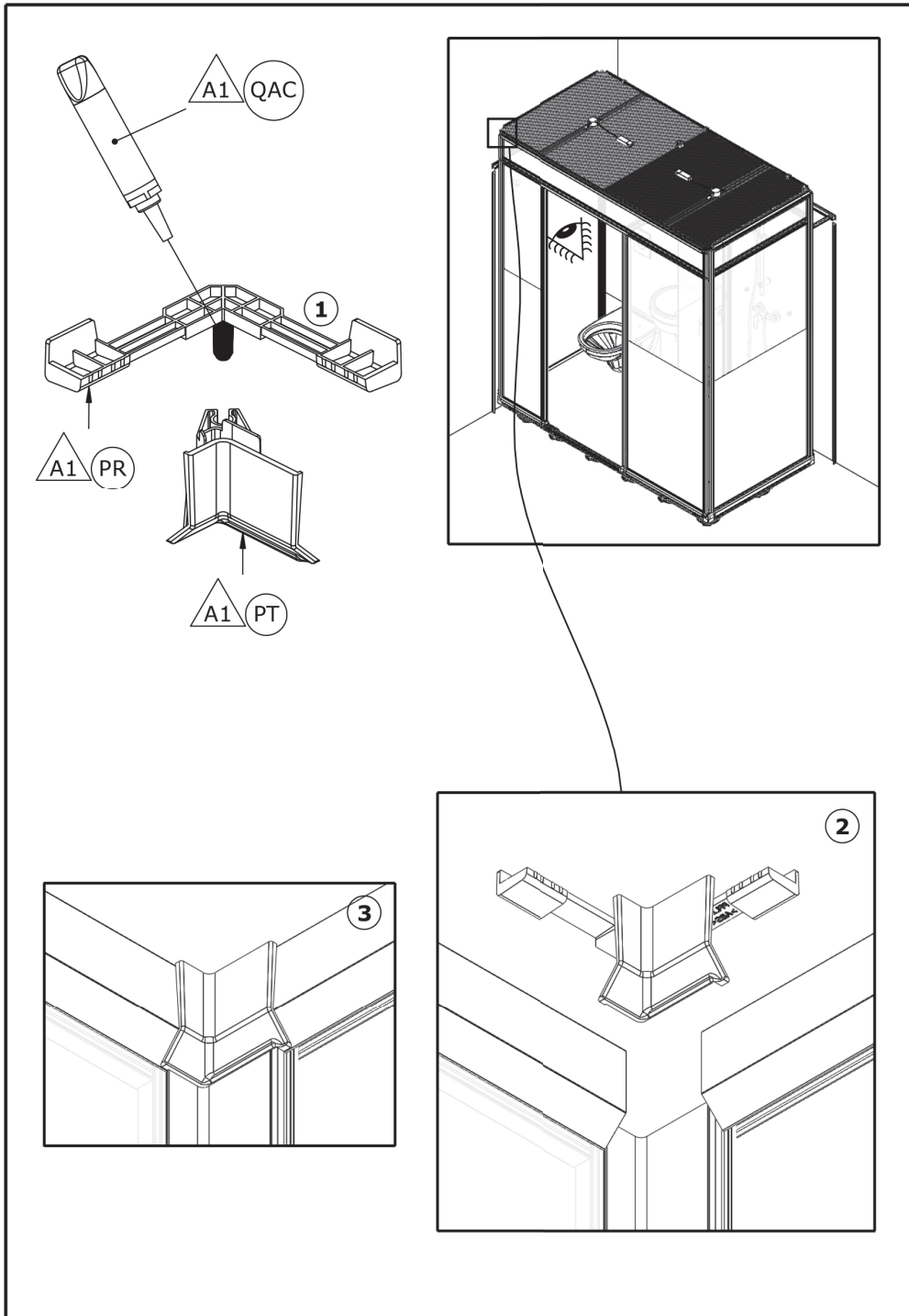


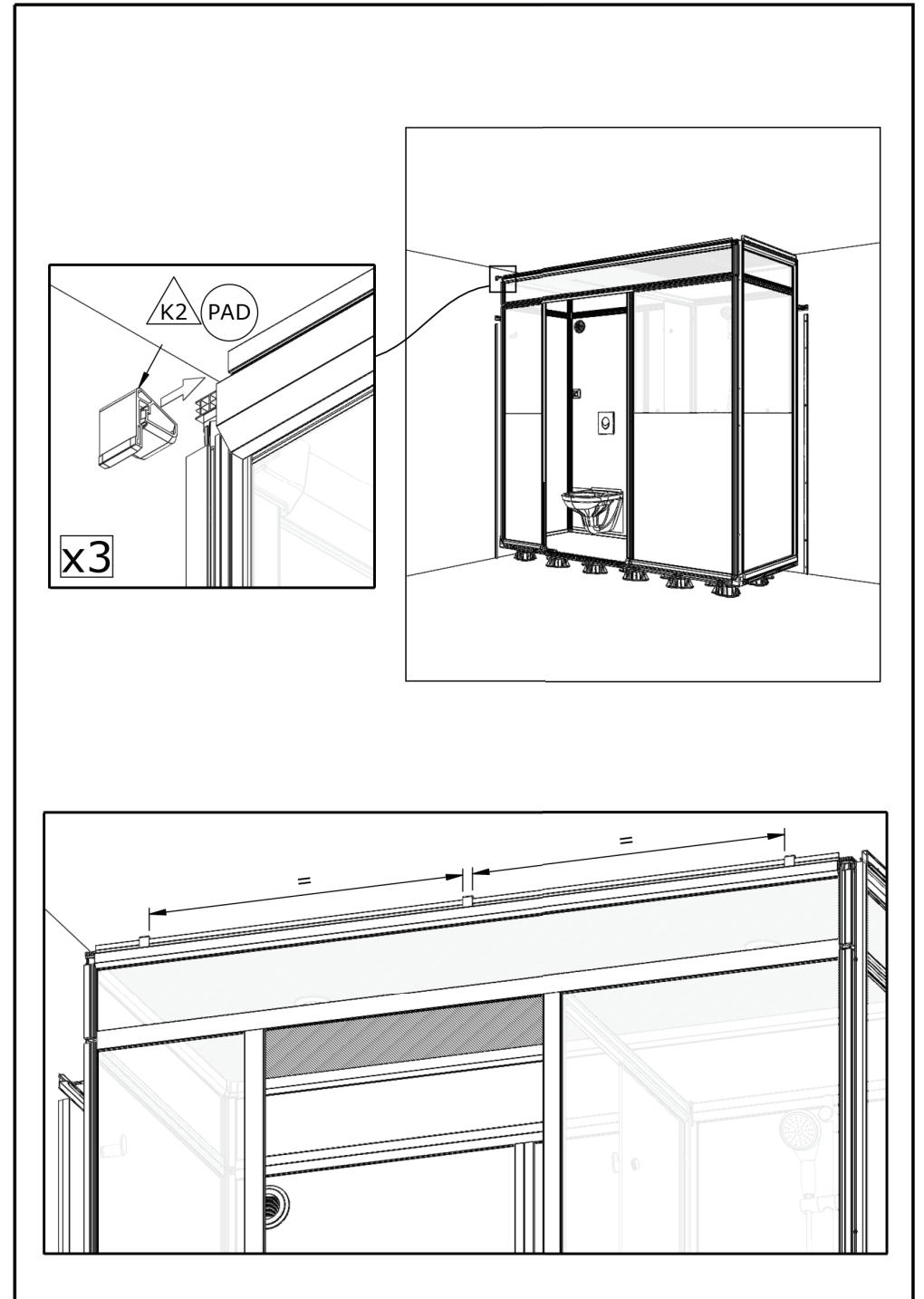
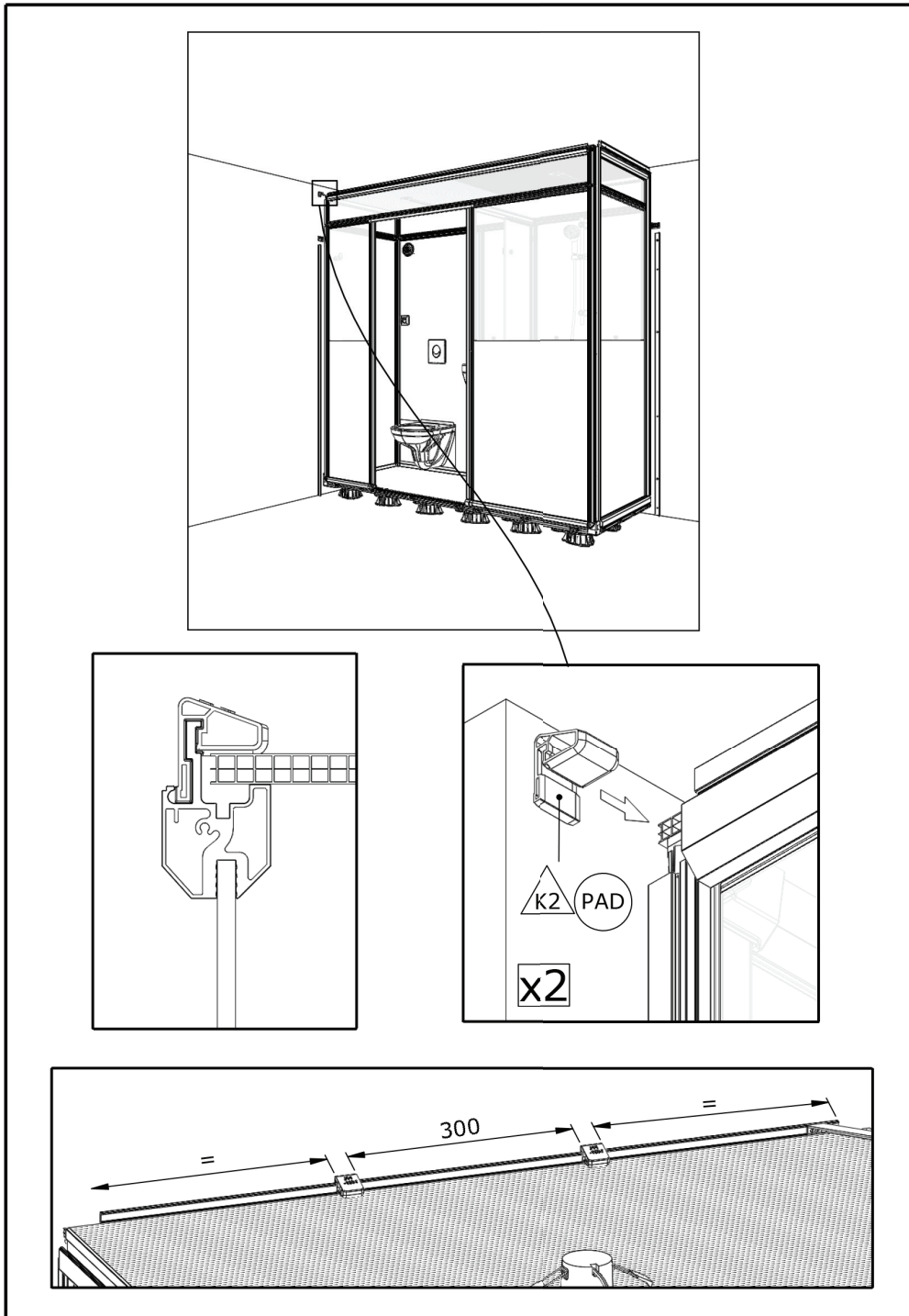


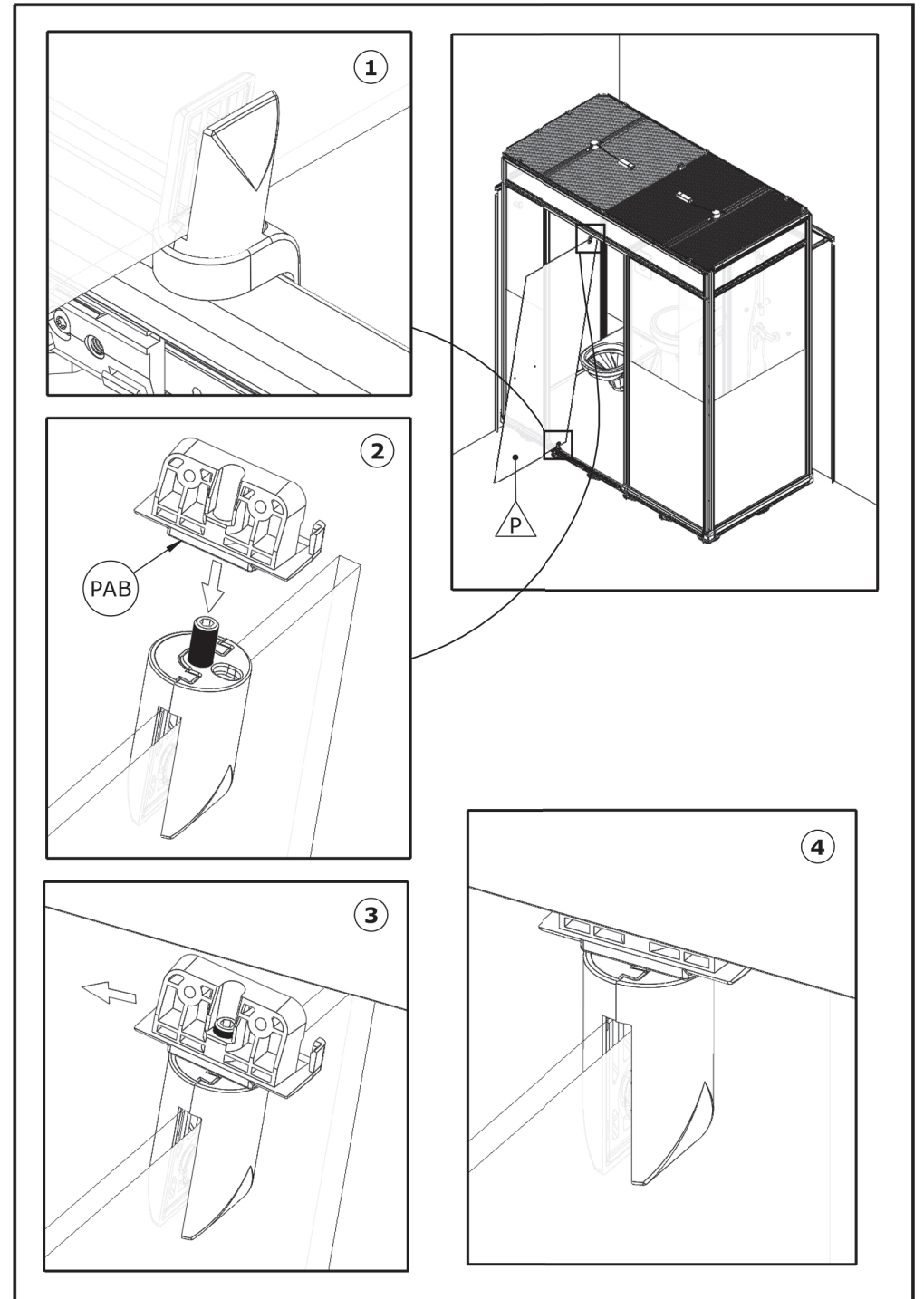
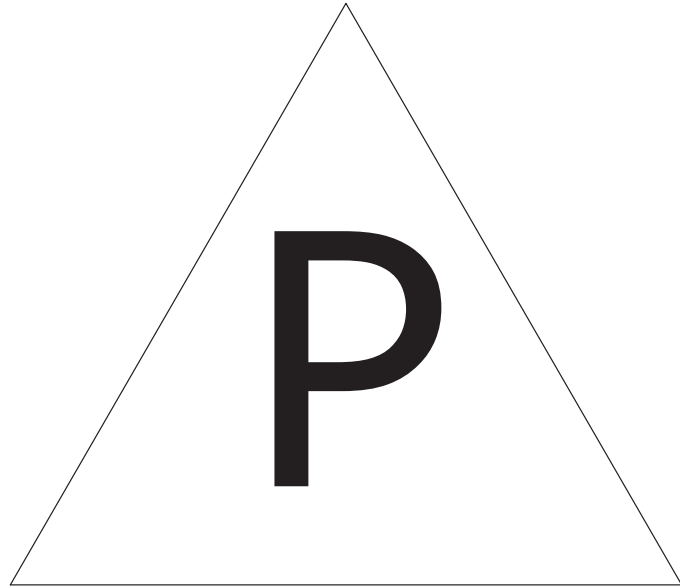


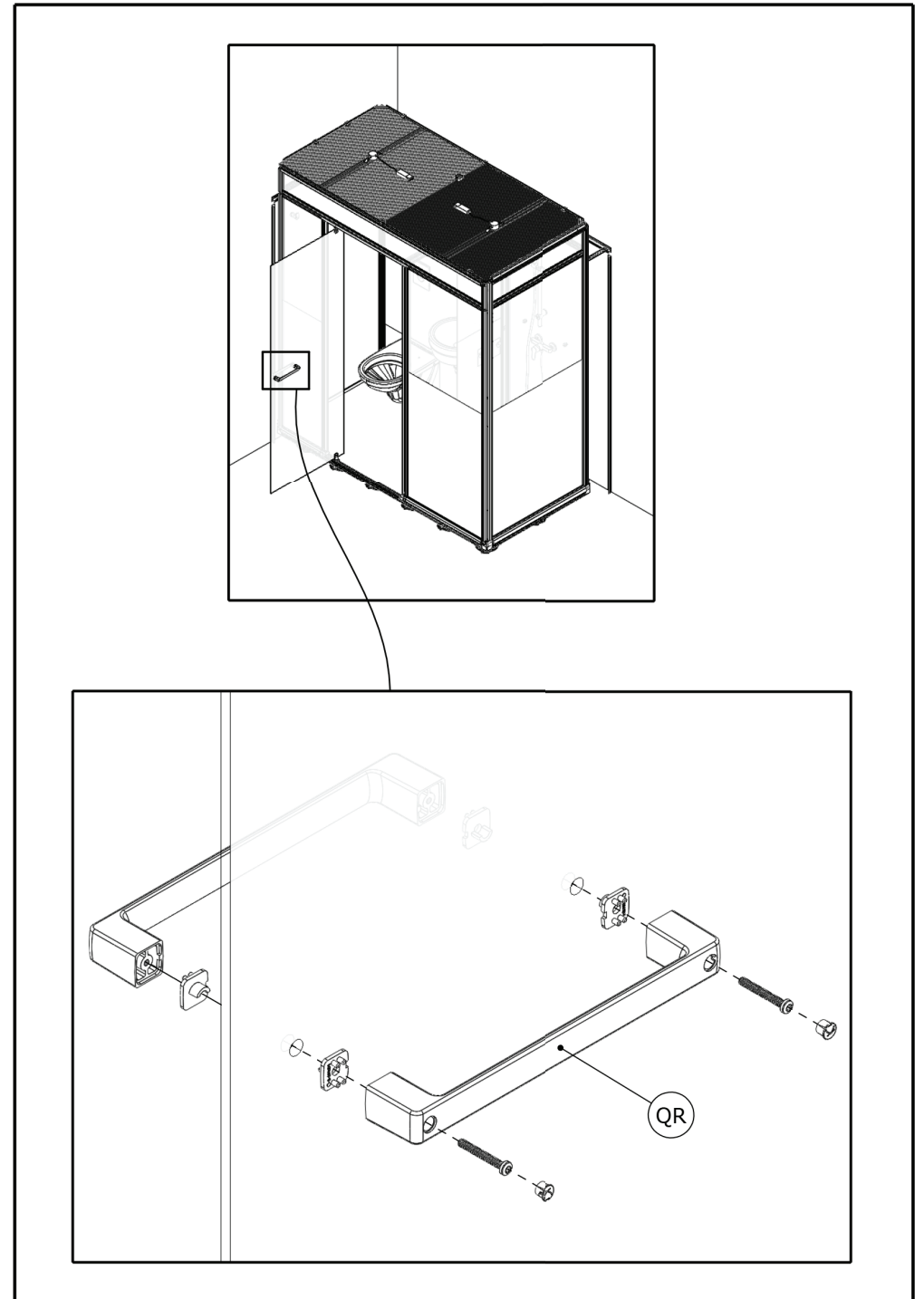
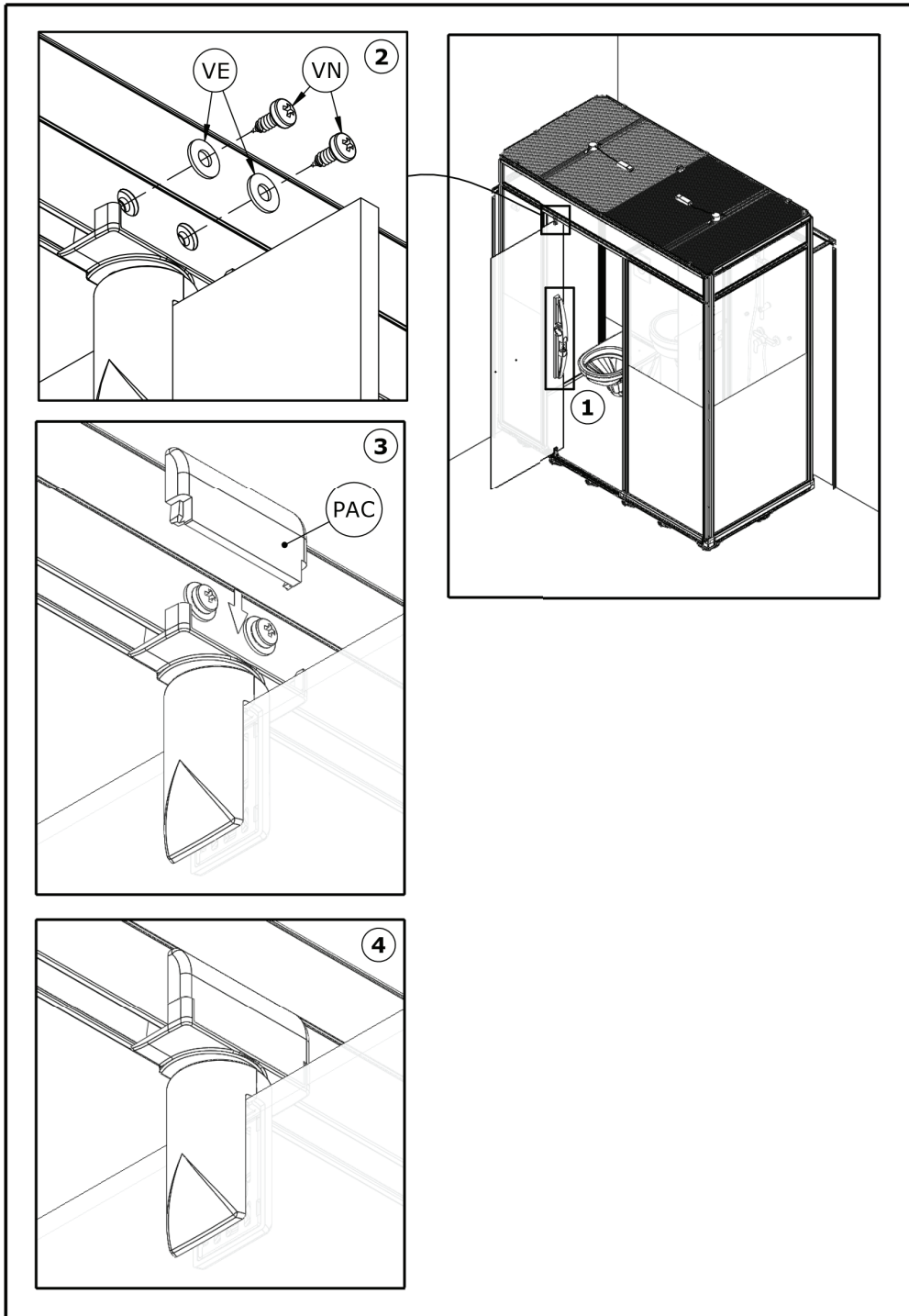


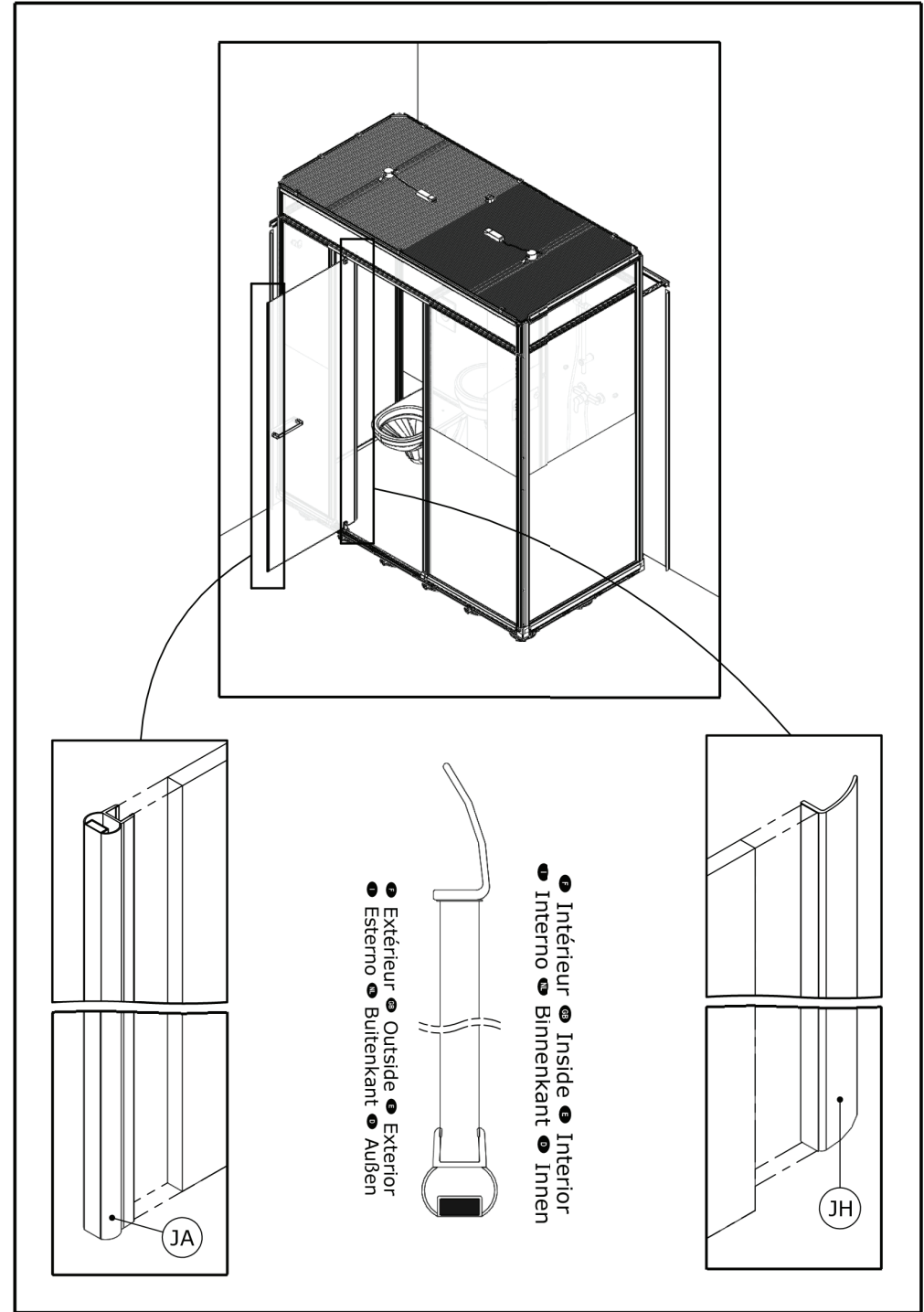
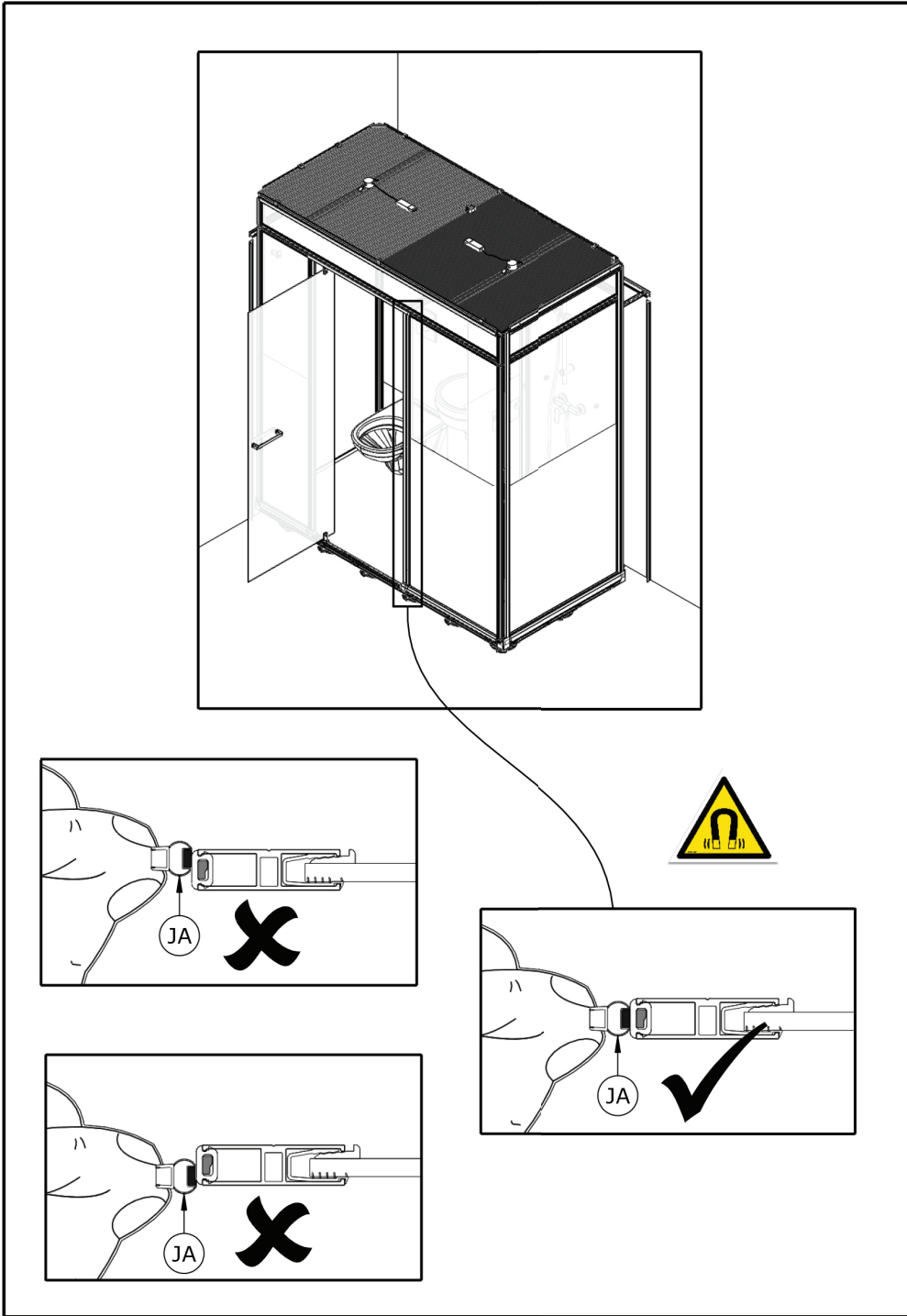


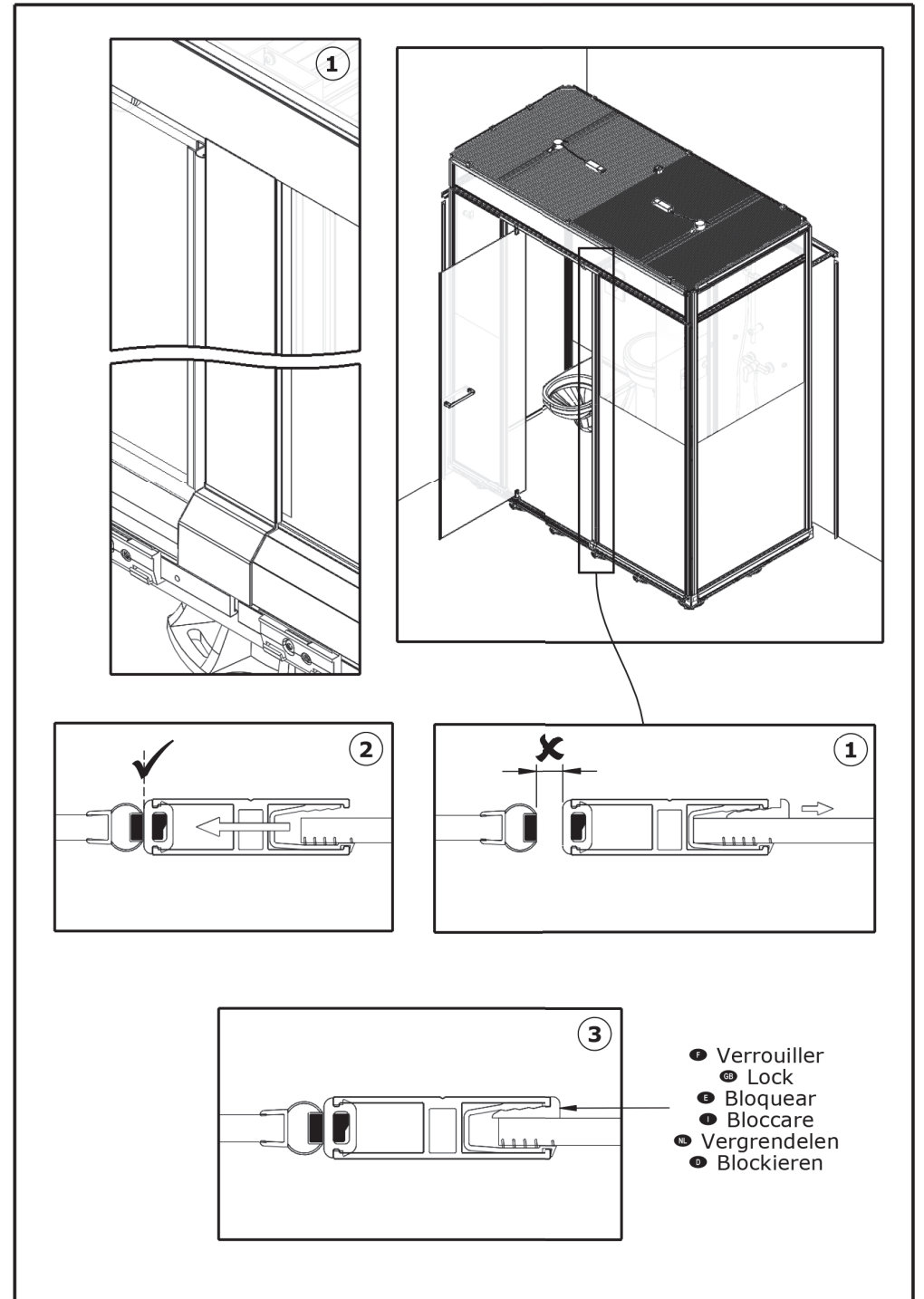
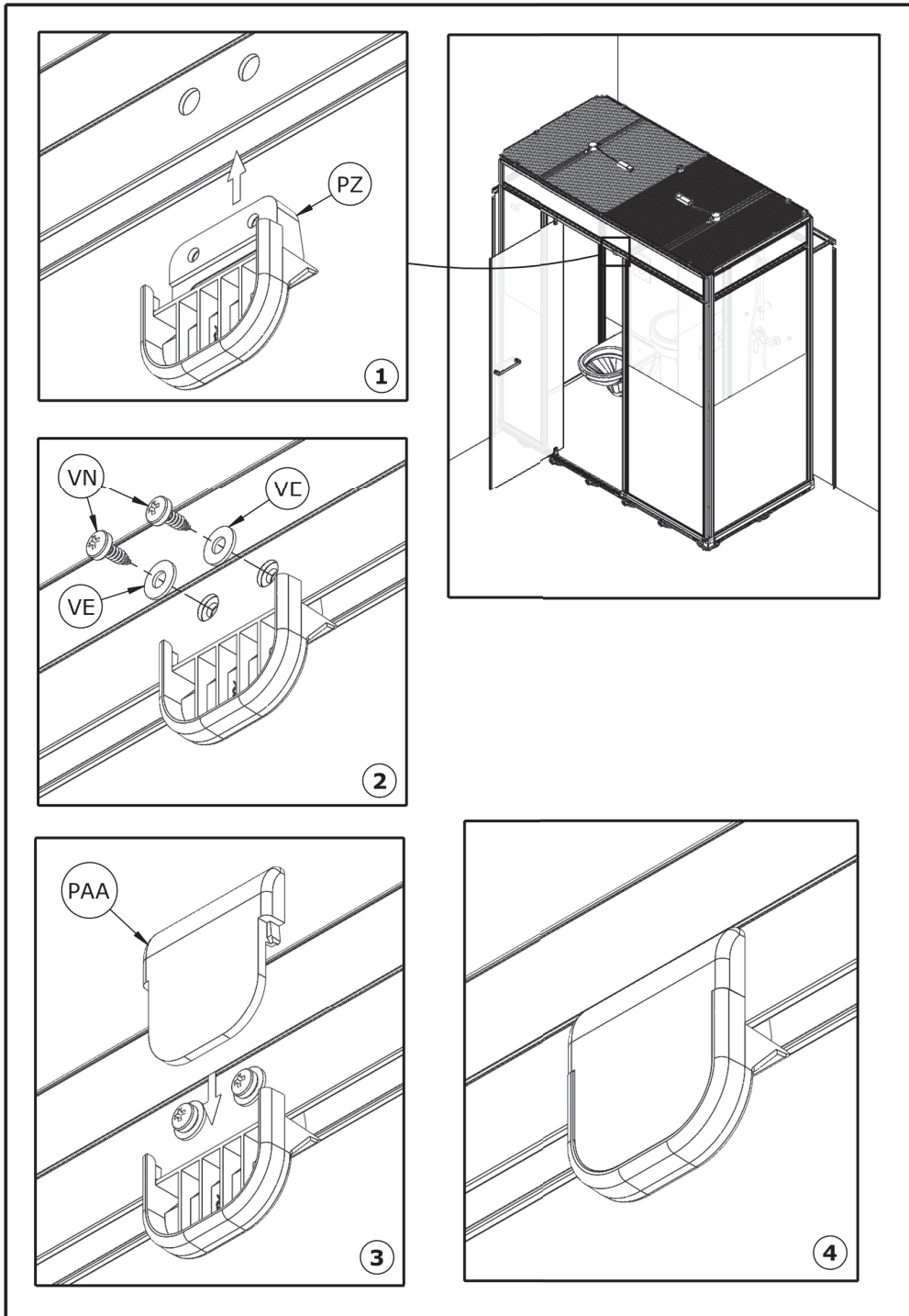




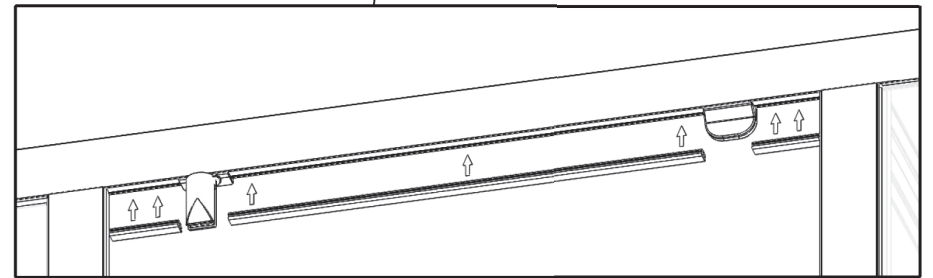
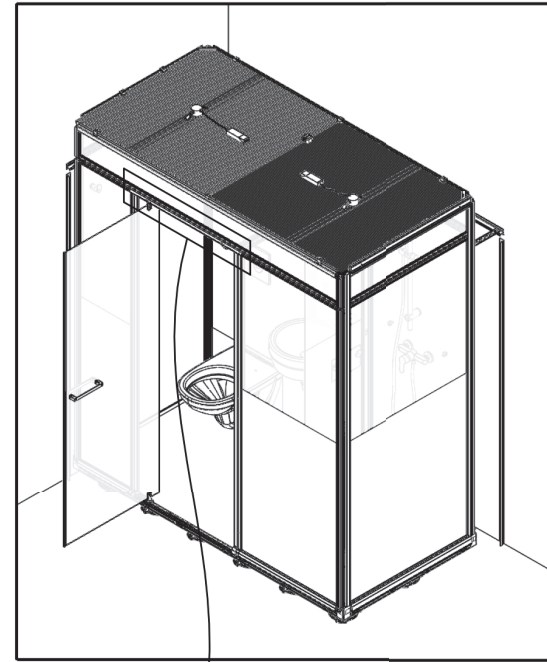
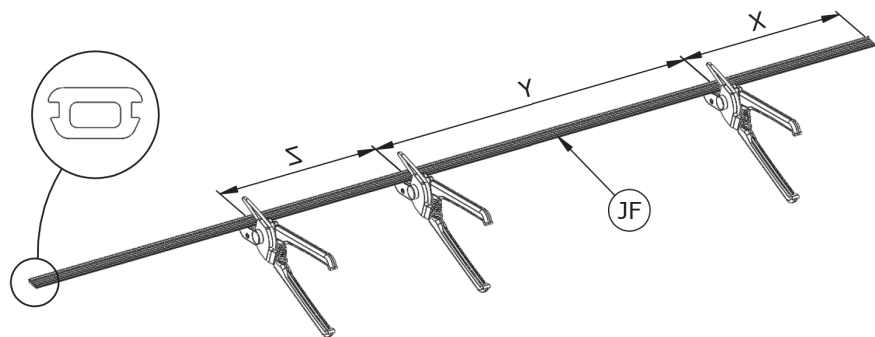
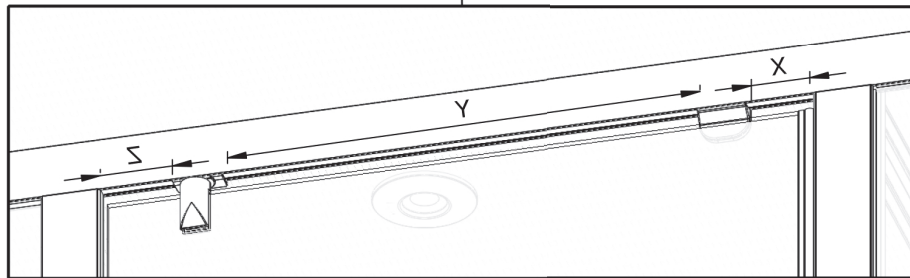
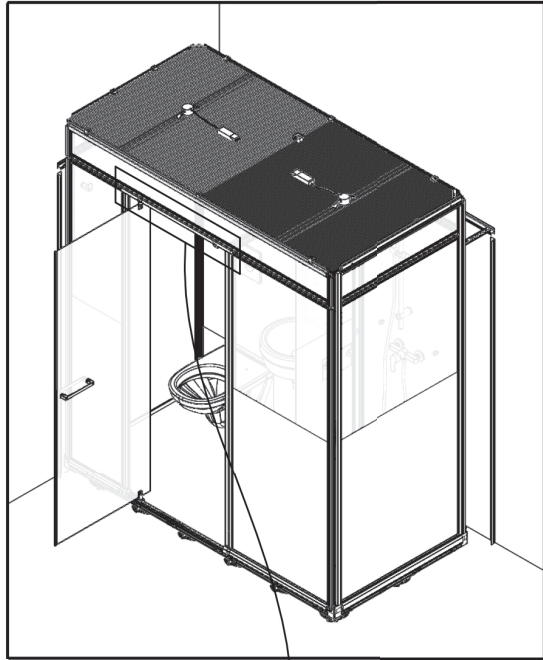




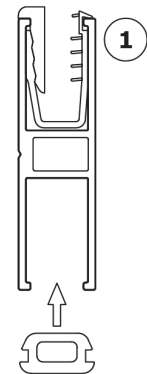


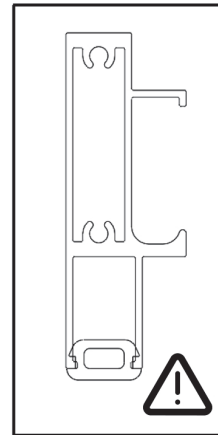
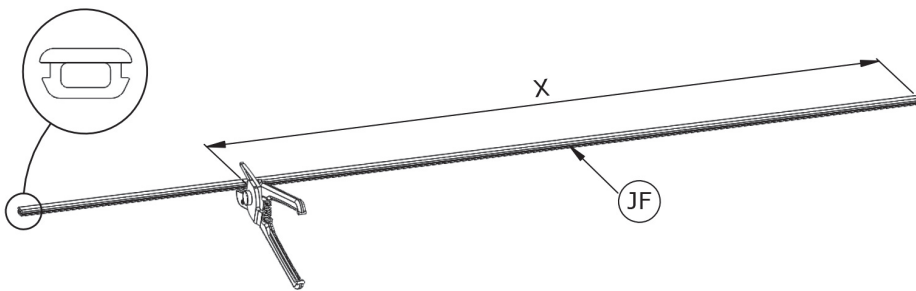
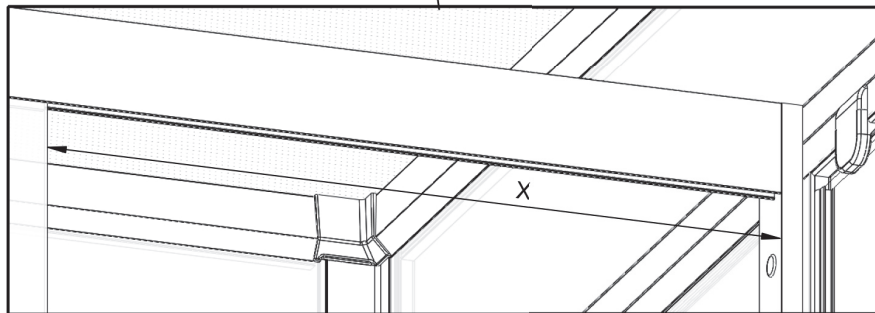
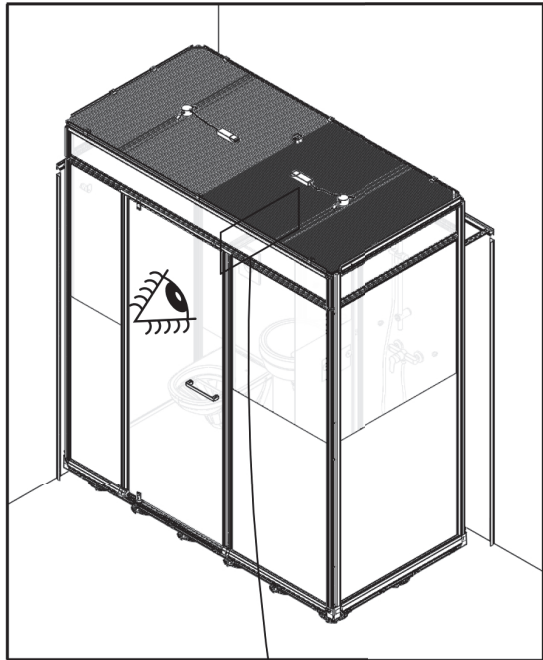




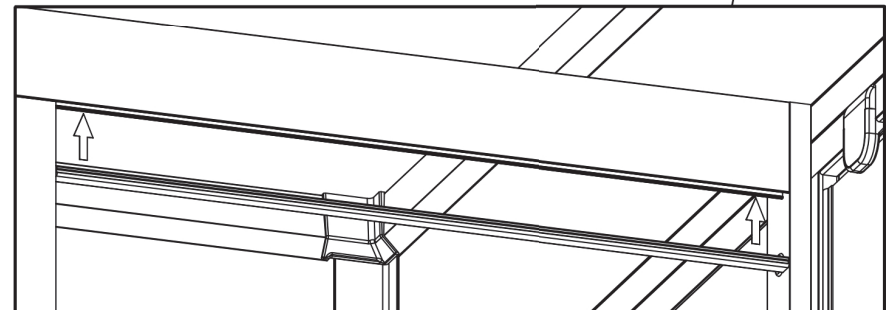
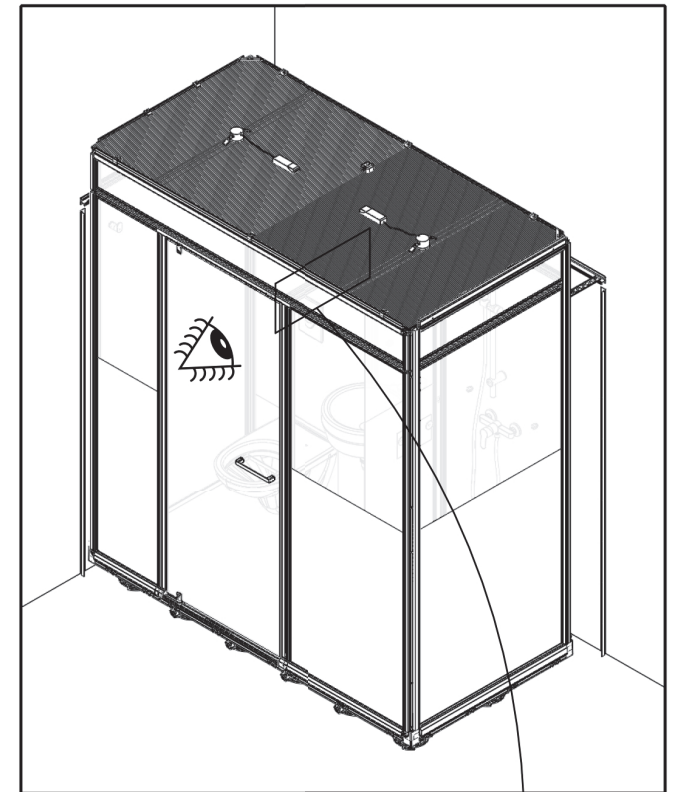


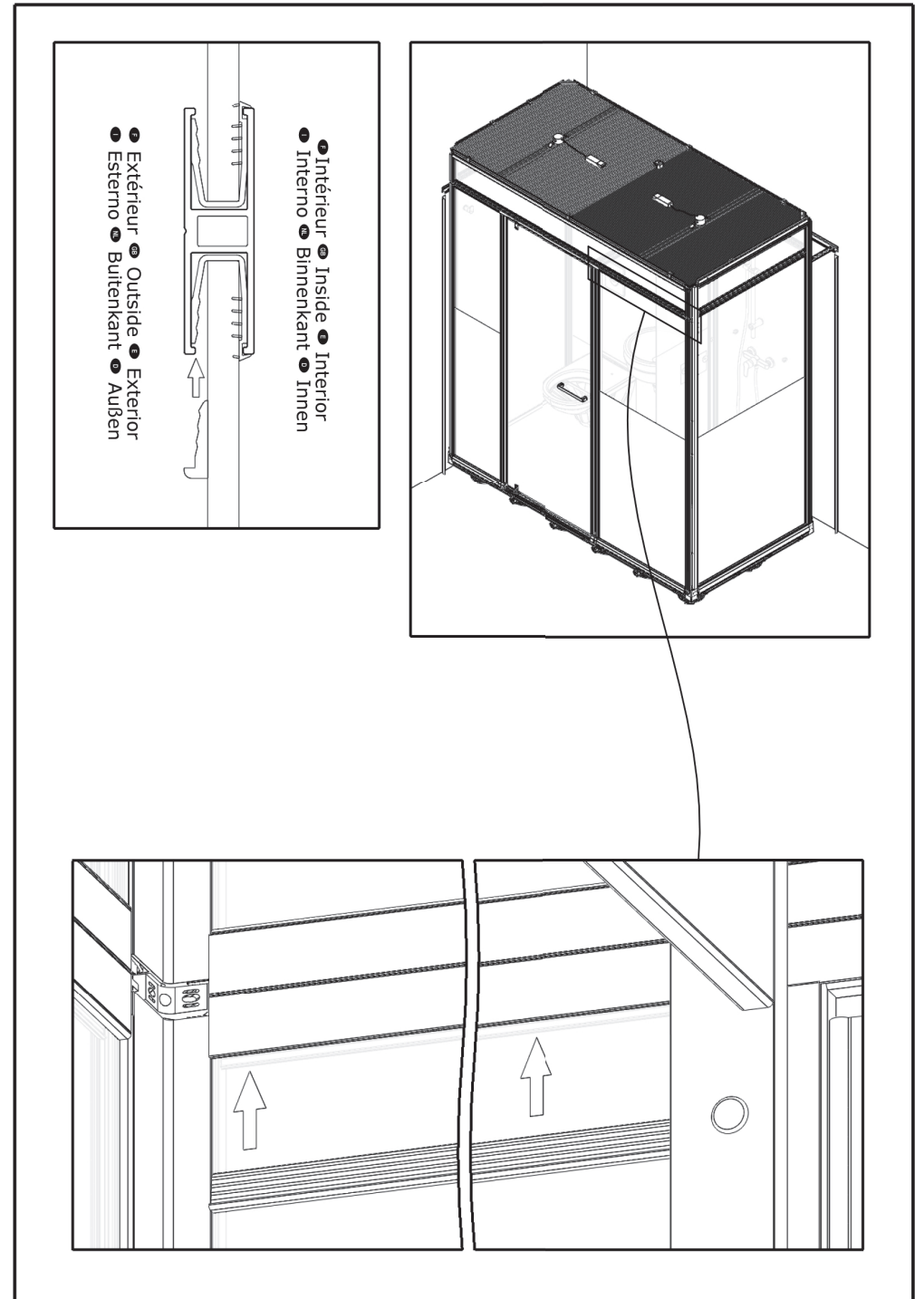
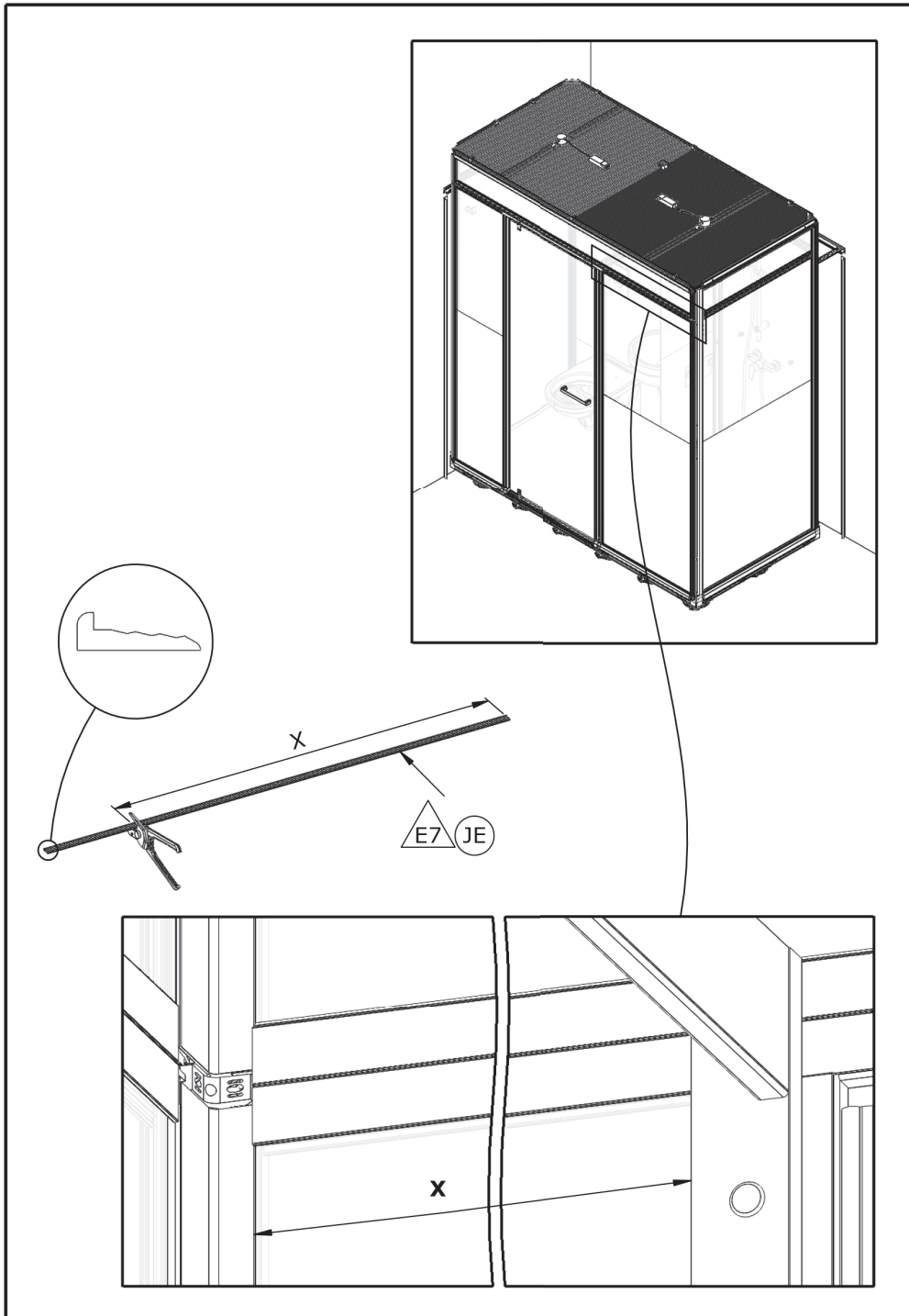
- ⬆ Sens de montage  
 ⬆ Mounting direction  
 ⬆ Dirección de montaje  
 ⬆ Senso di montaggio  
 ⬆ Montagerichtung  
 ⬆ Montagerichtung

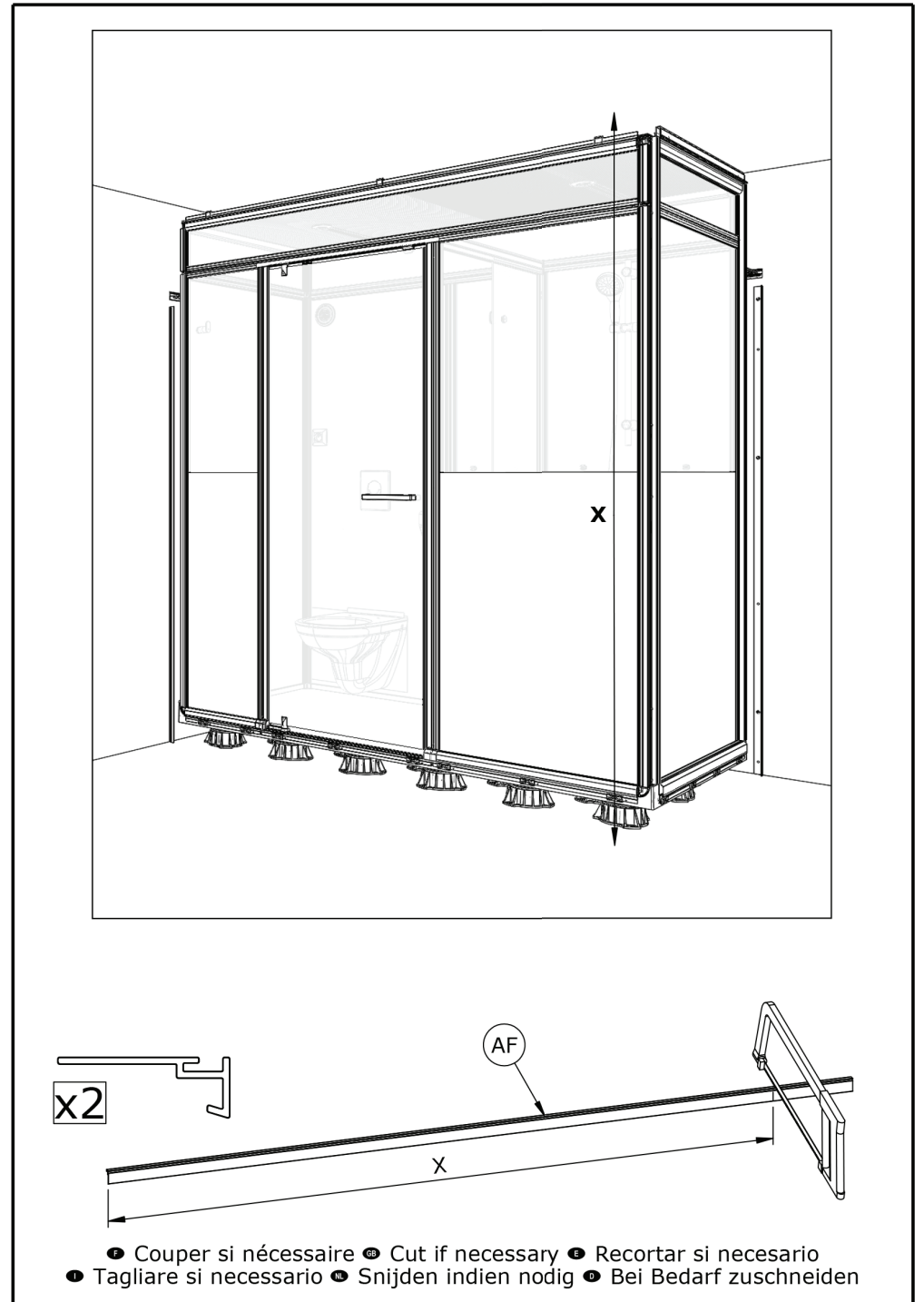
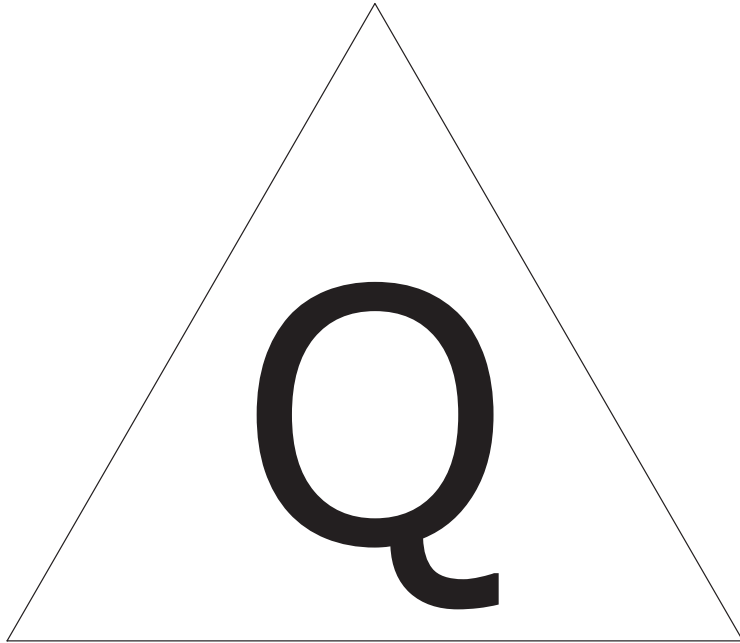


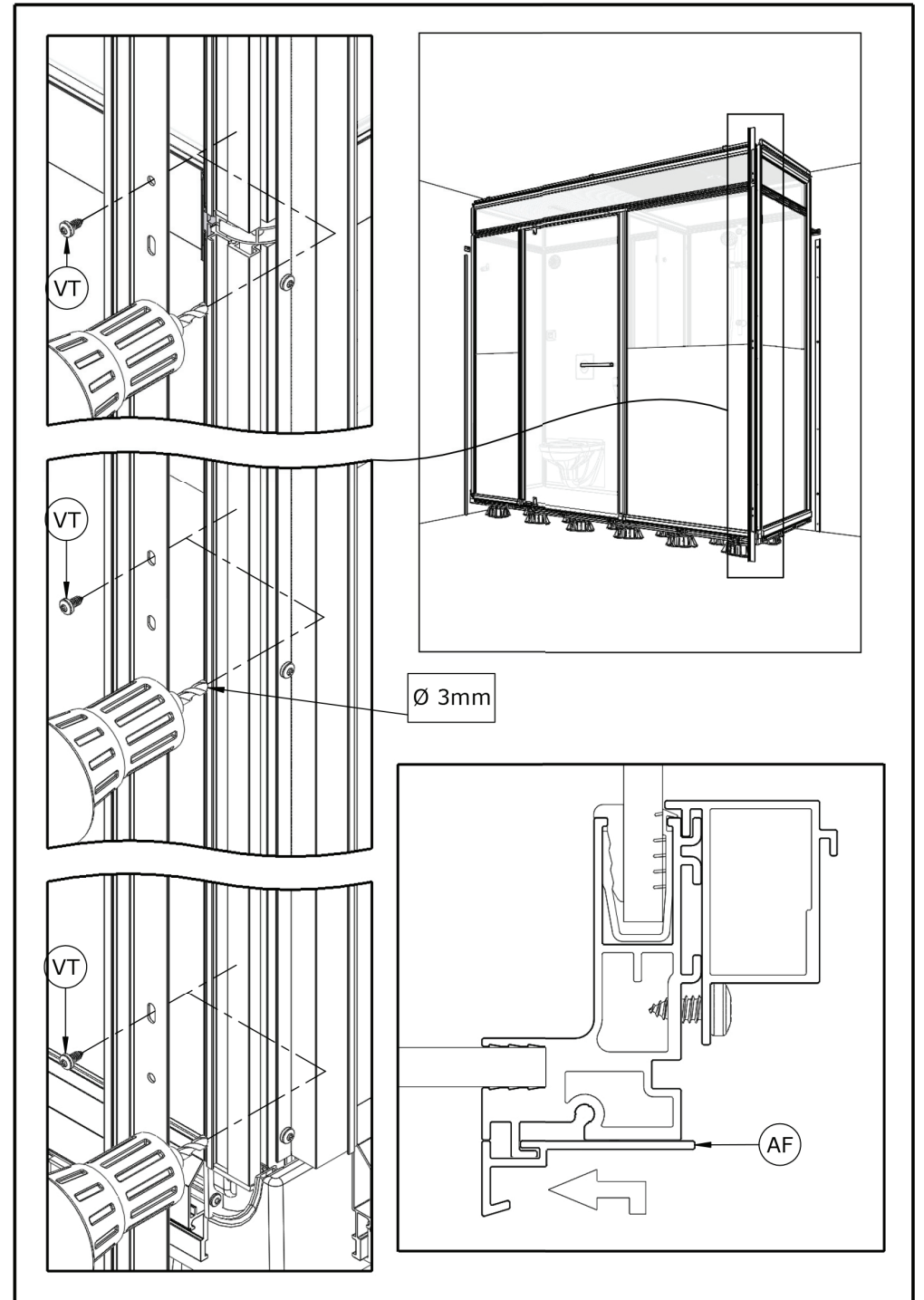
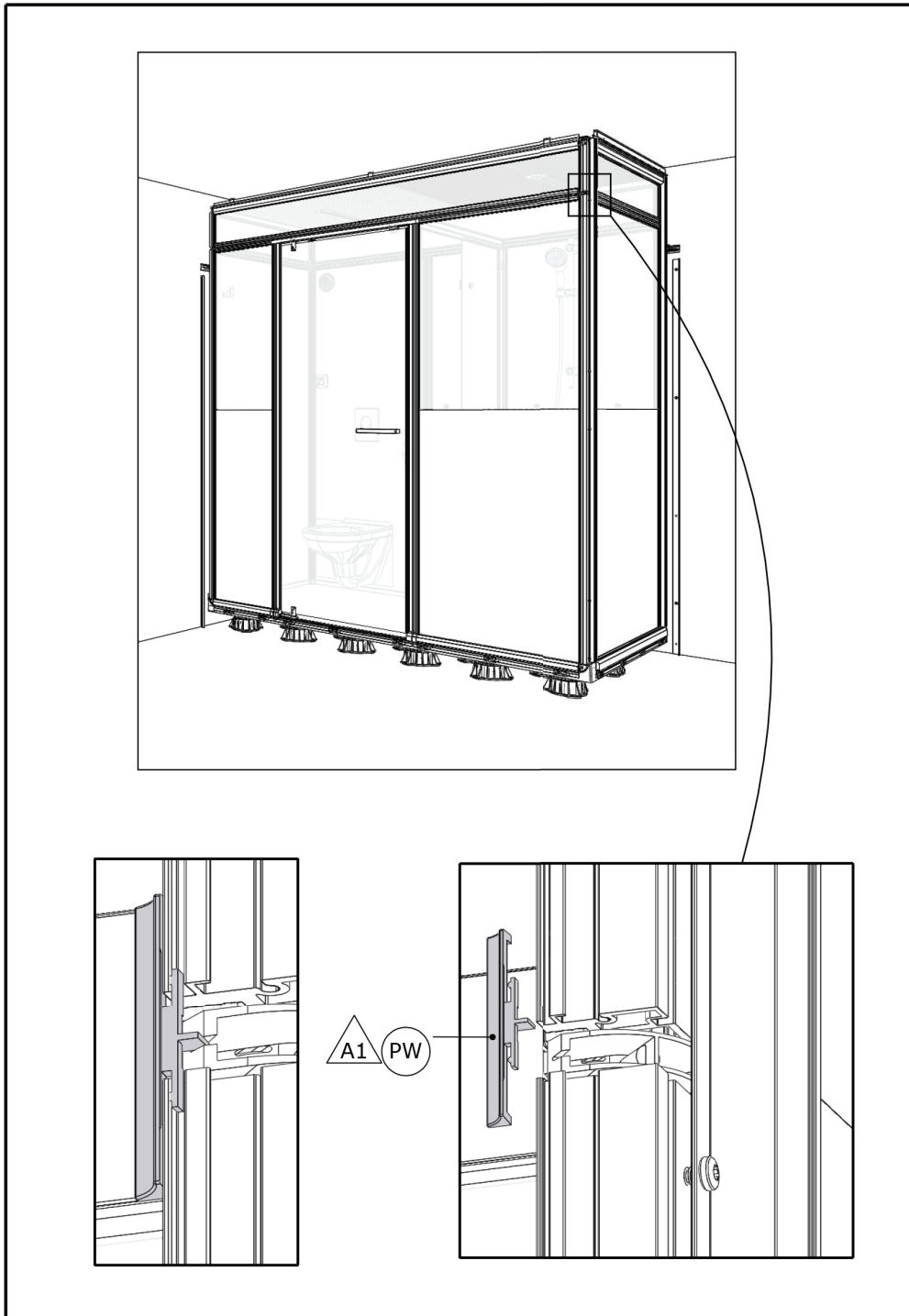


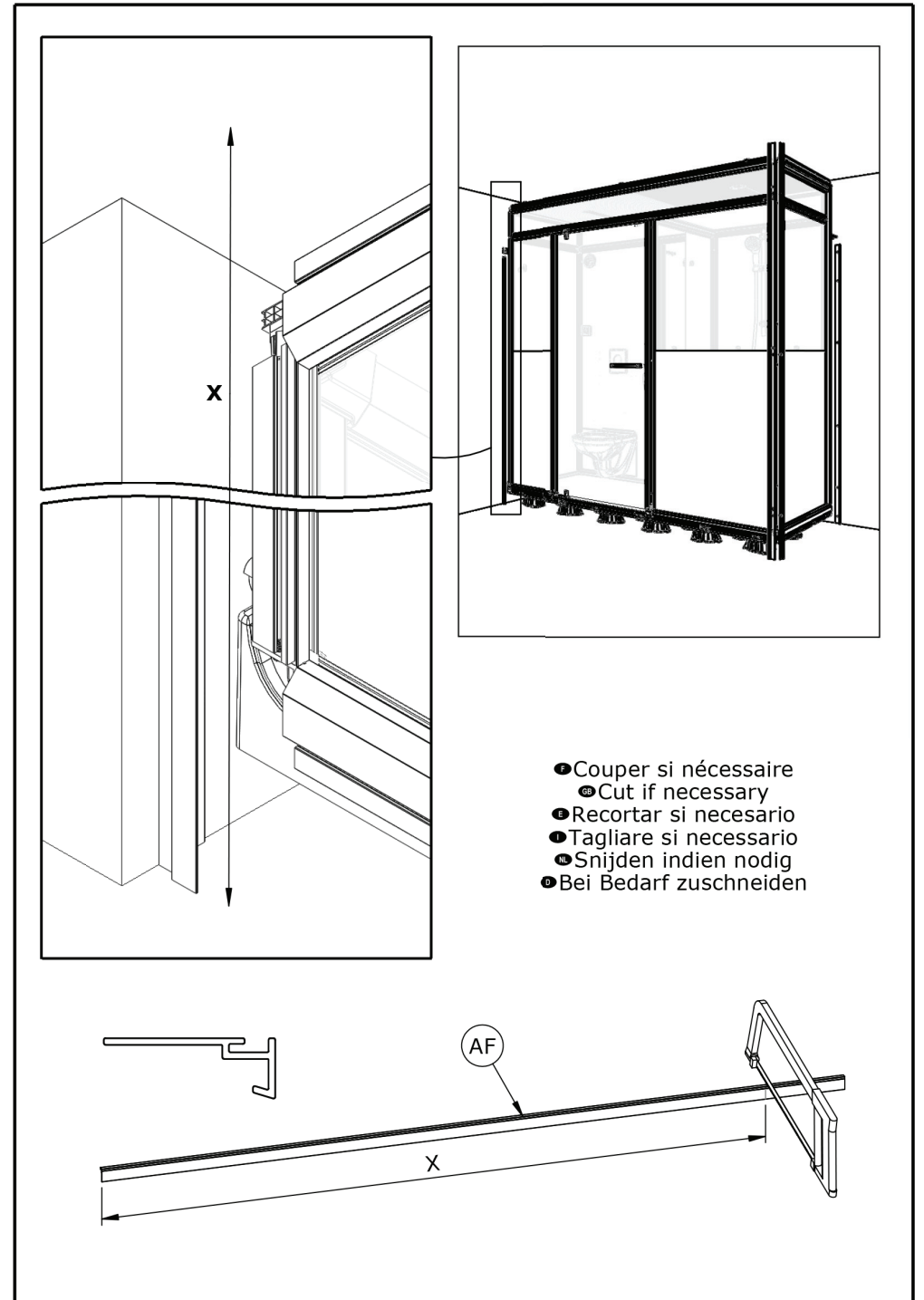
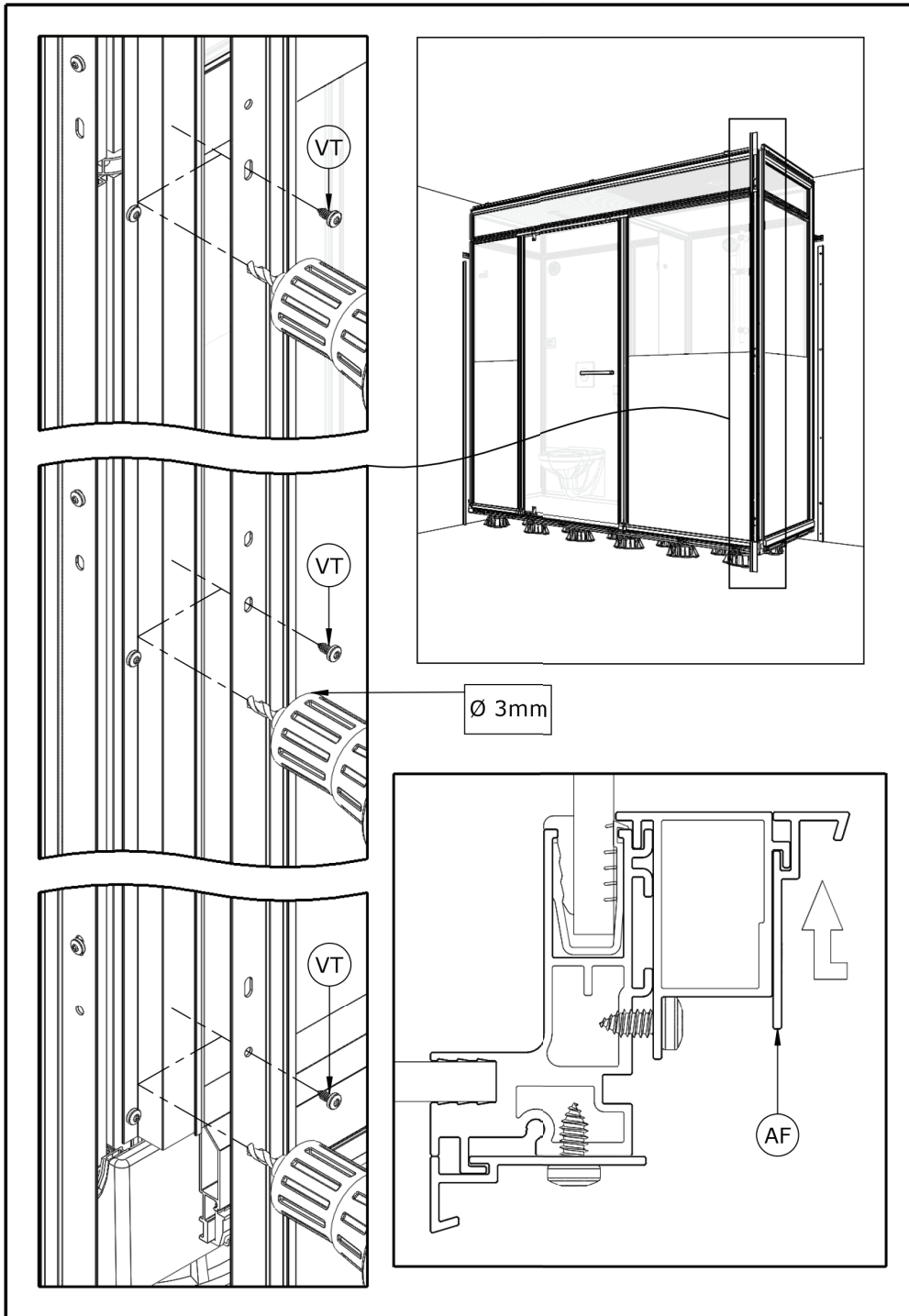
- Sens de montage
- Mounting direction
- Dirección de montaje
- Senso di montaggio
- Montagerichtung
- Montagerichtung



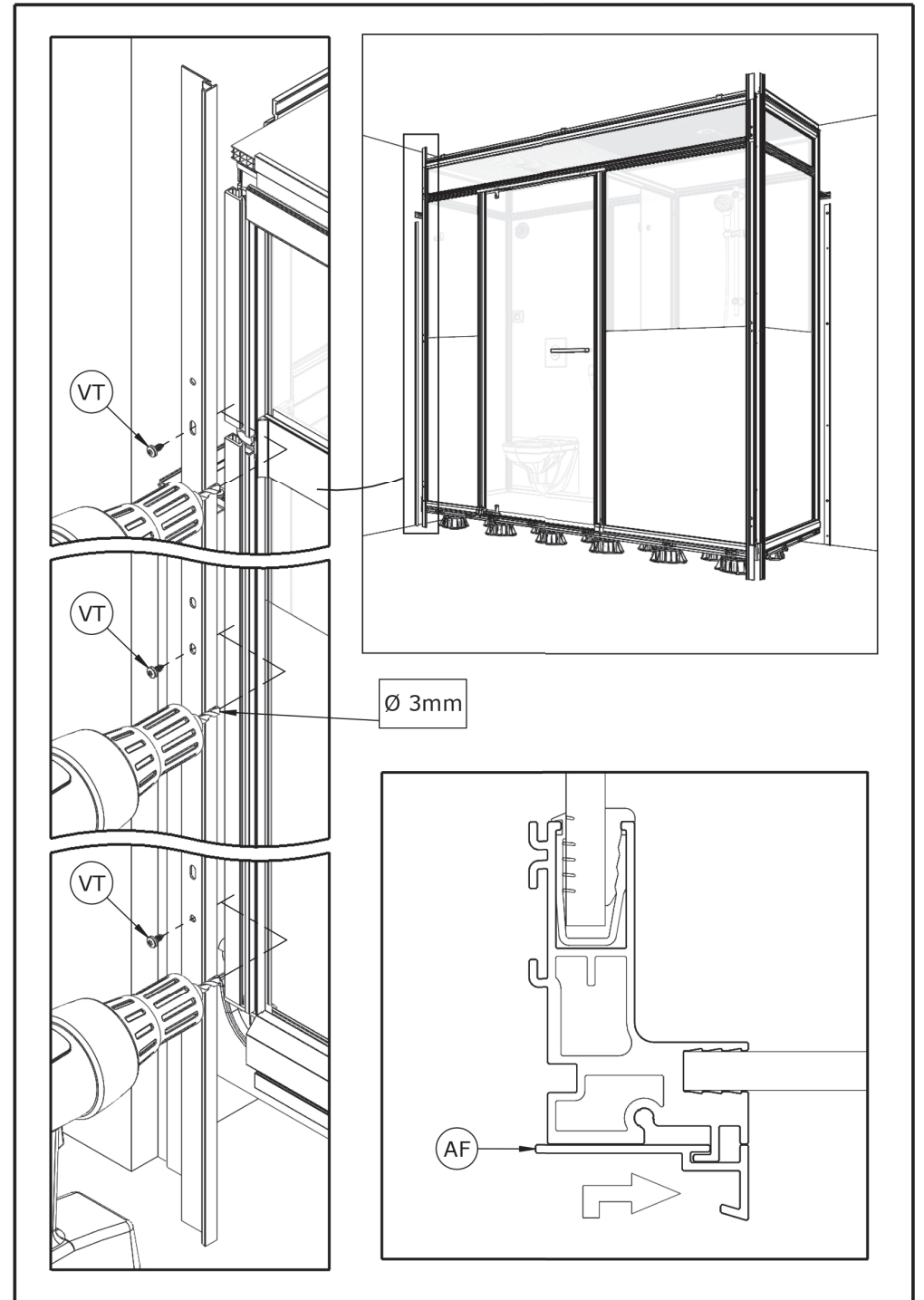
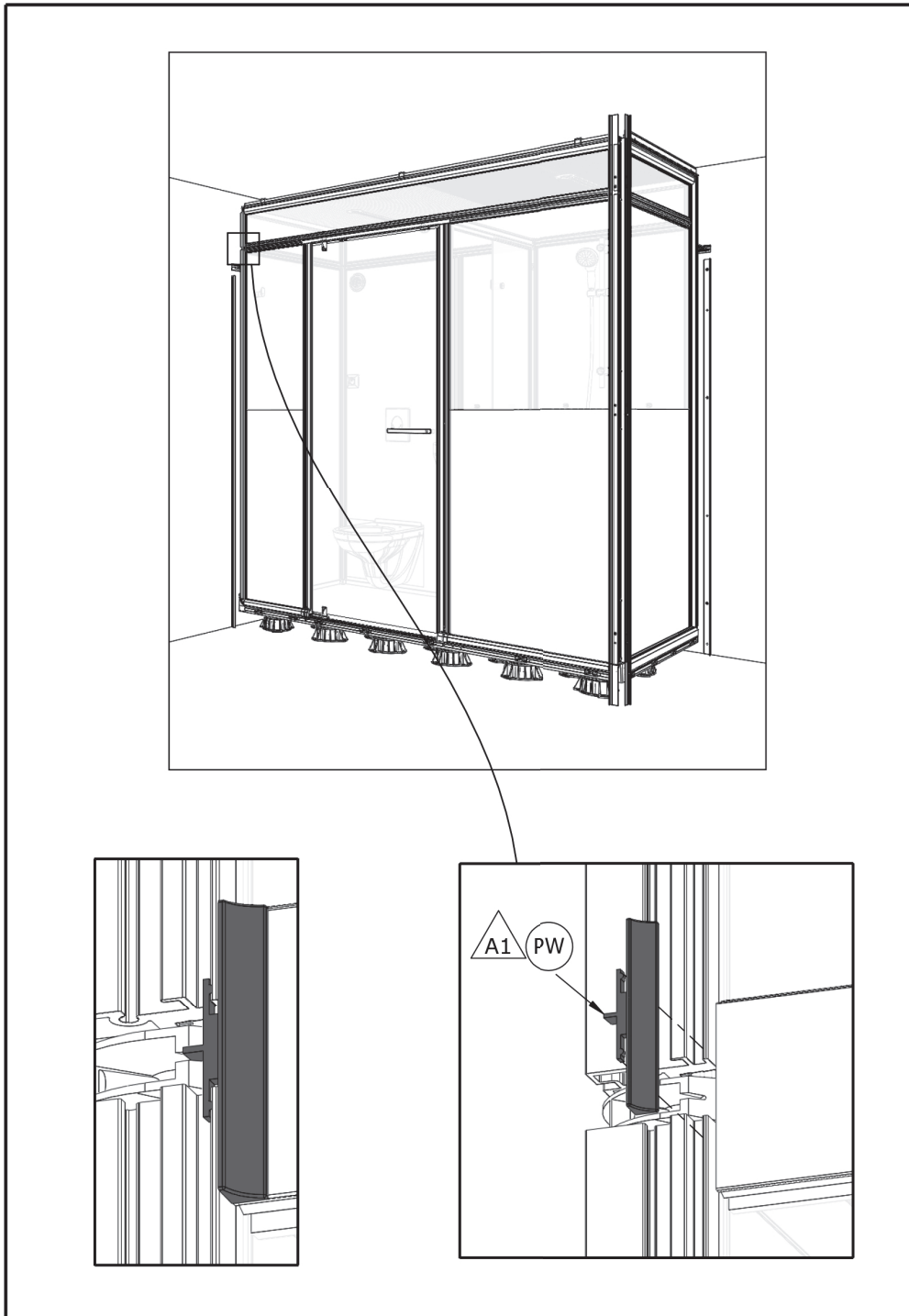


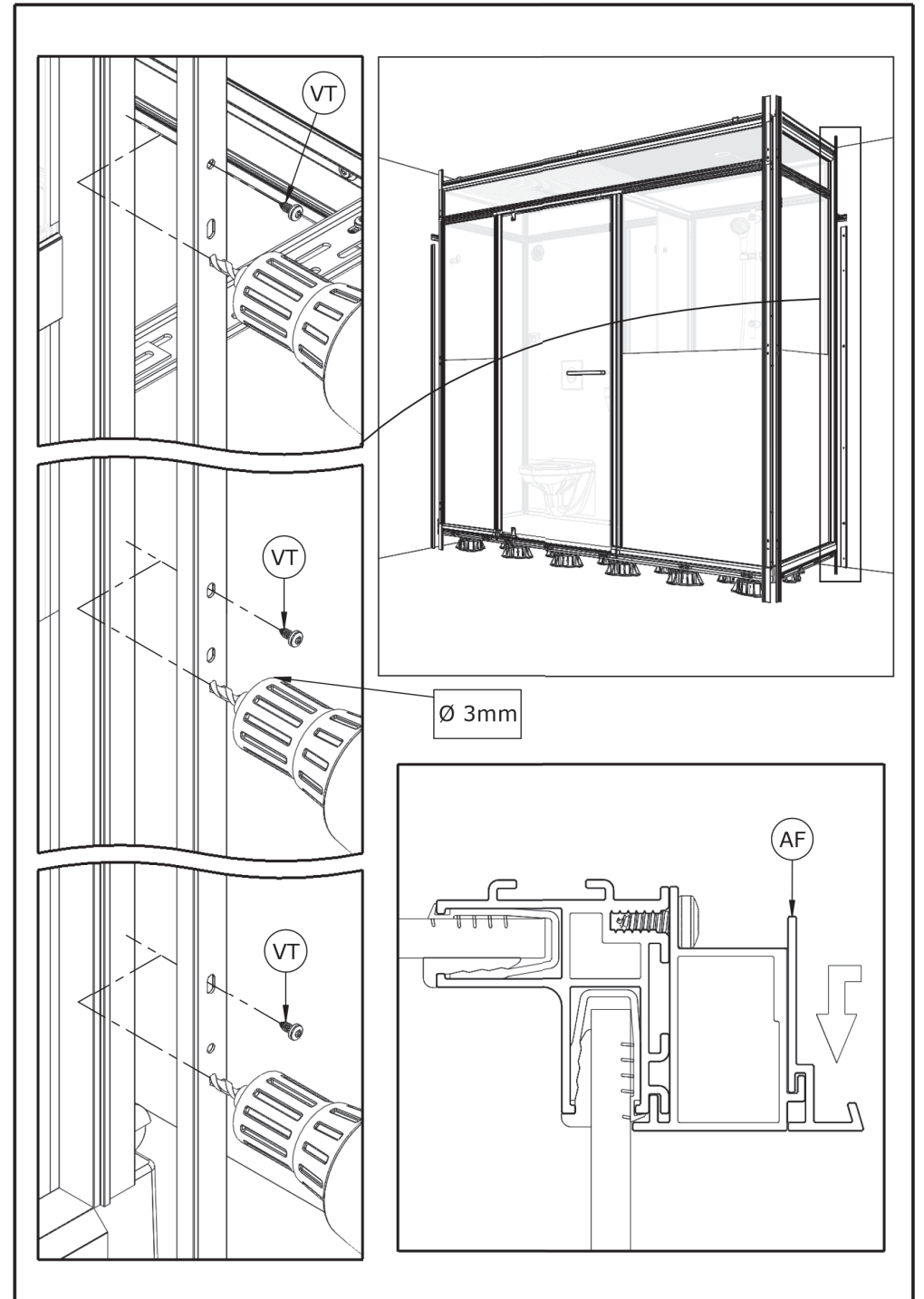
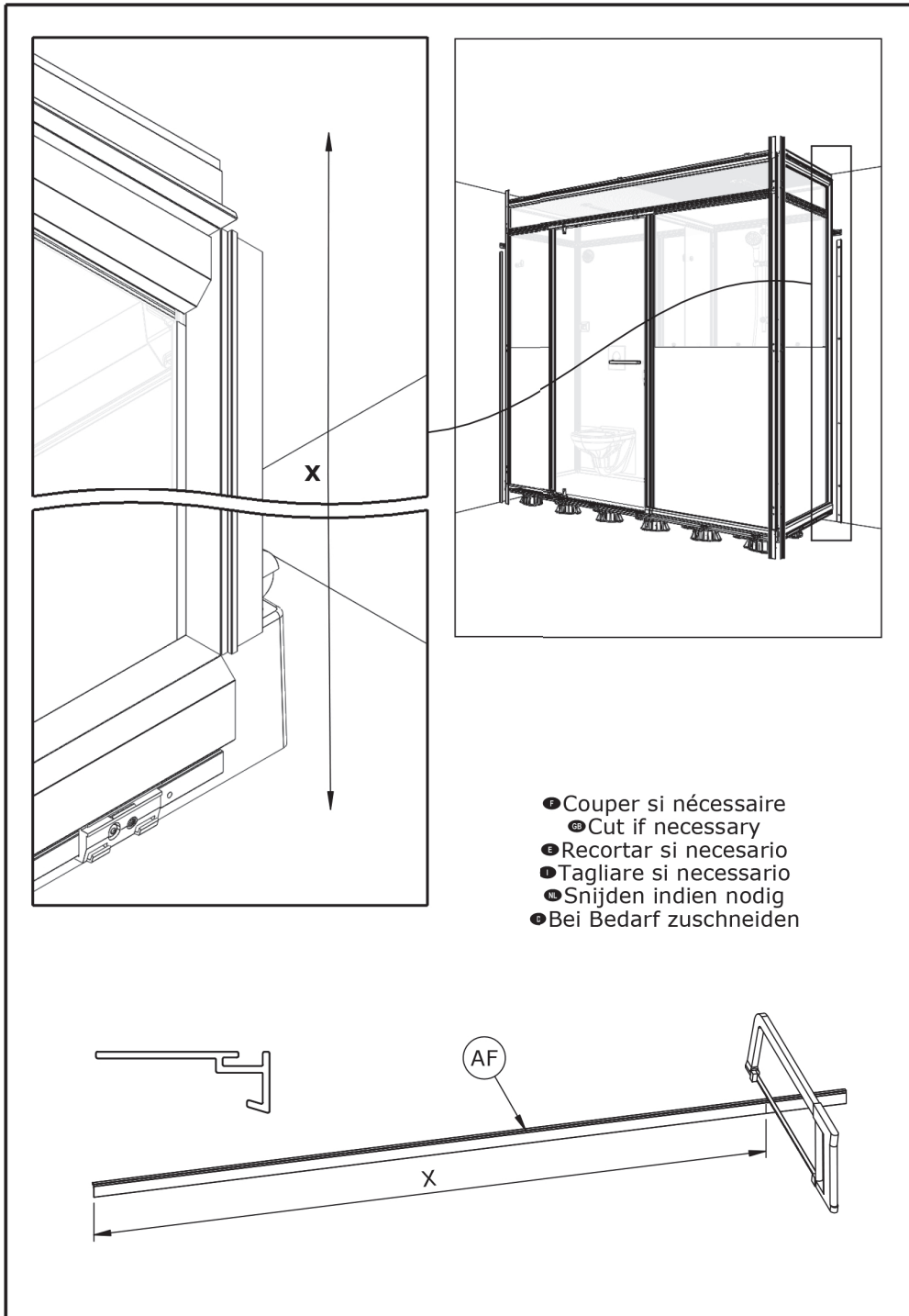




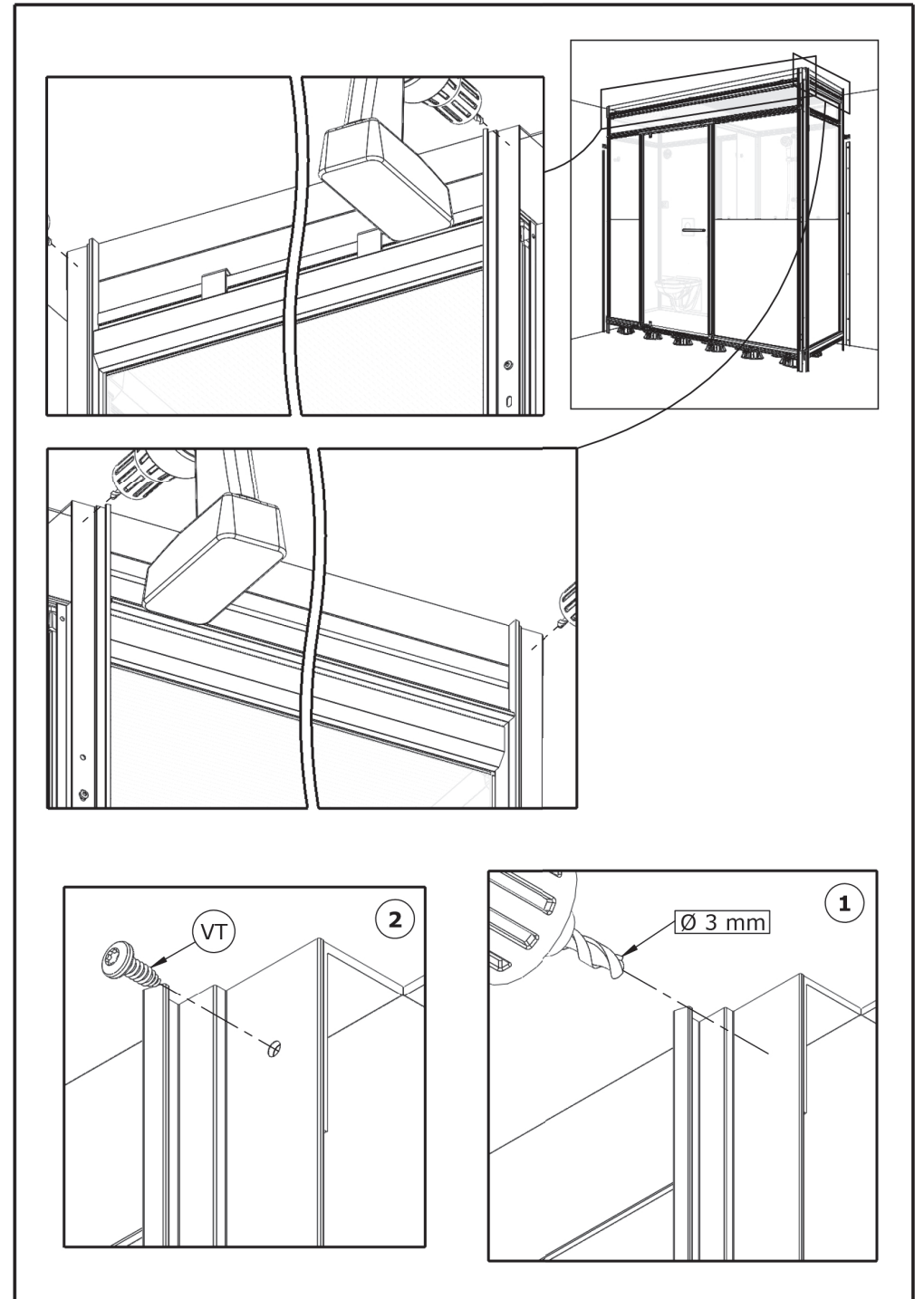
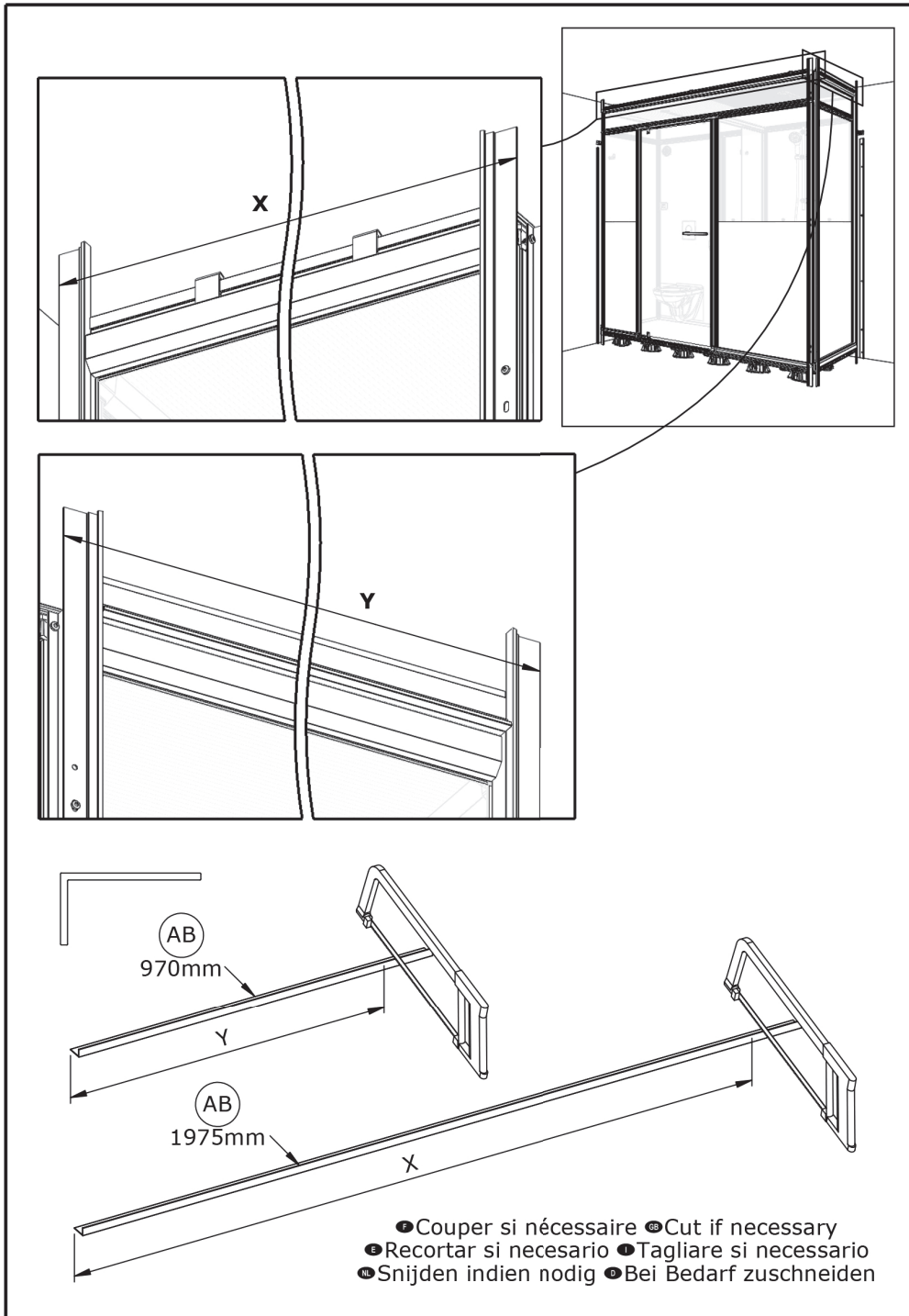


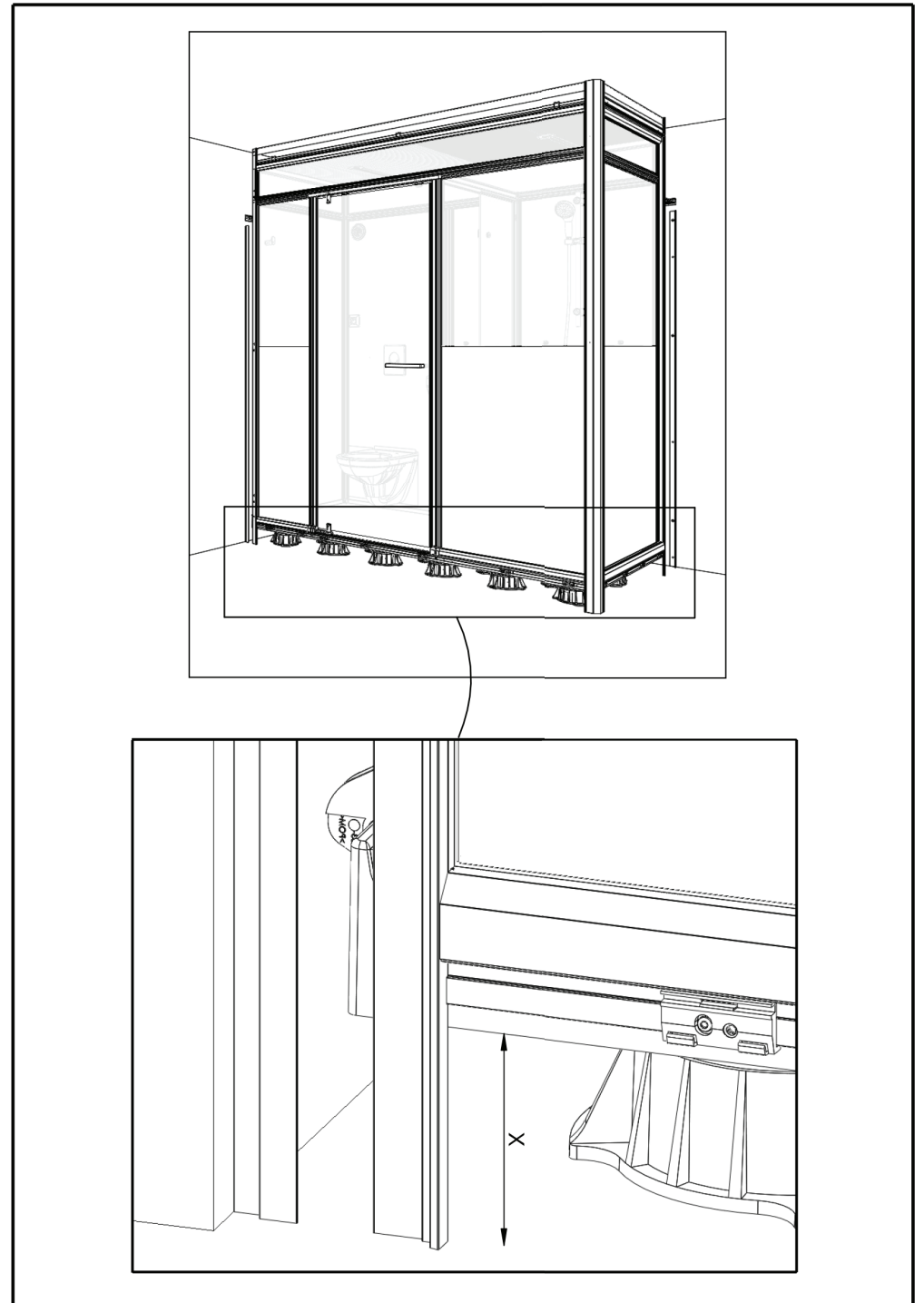
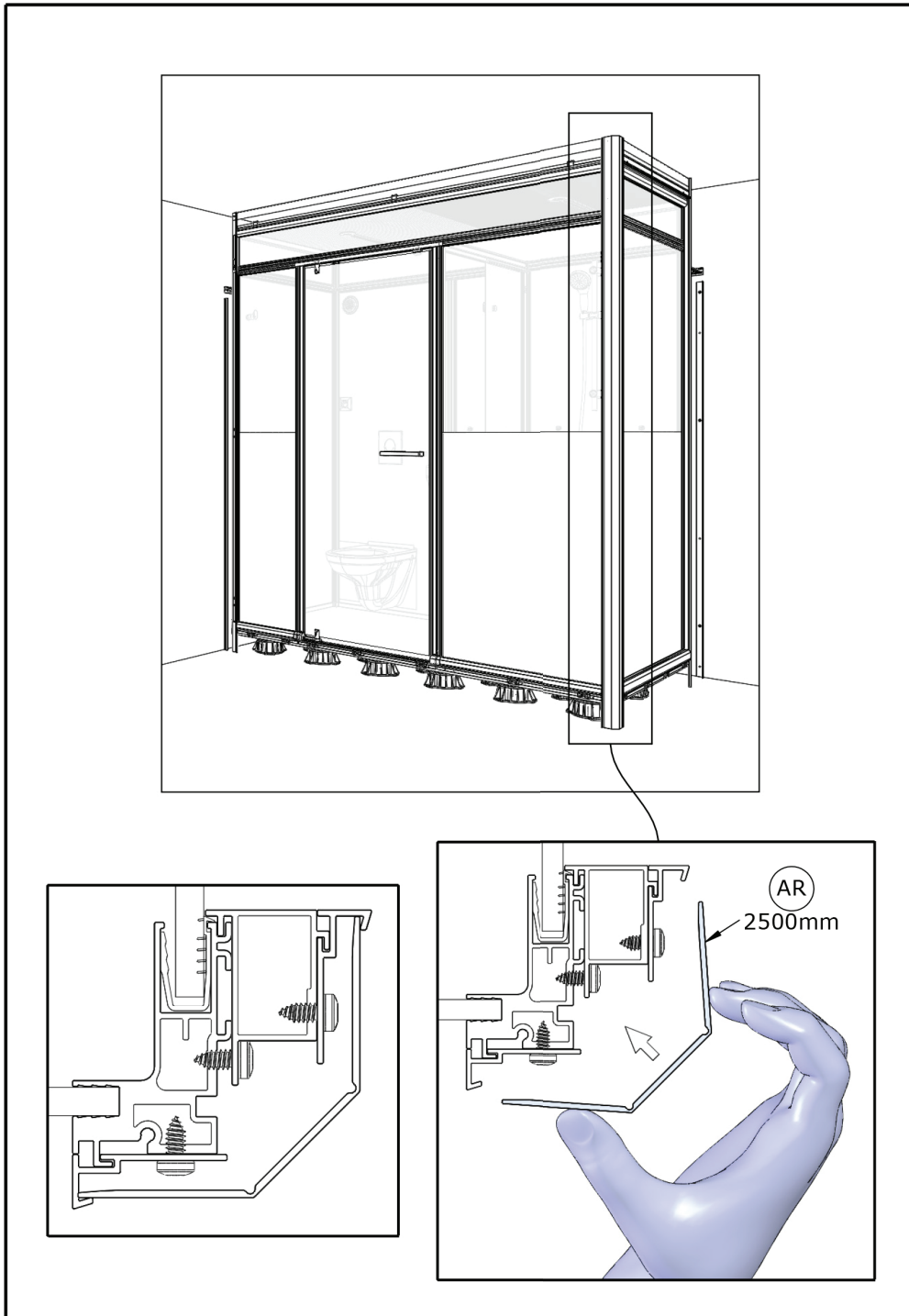
- Couper si nécessaire
- ✂ Cut if necessary
- ✂ Recortar si necesario
- ✂ Tagliare si necessario
- ✂ Snijden indien nodig
- ✂ Bei Bedarf zuschneiden

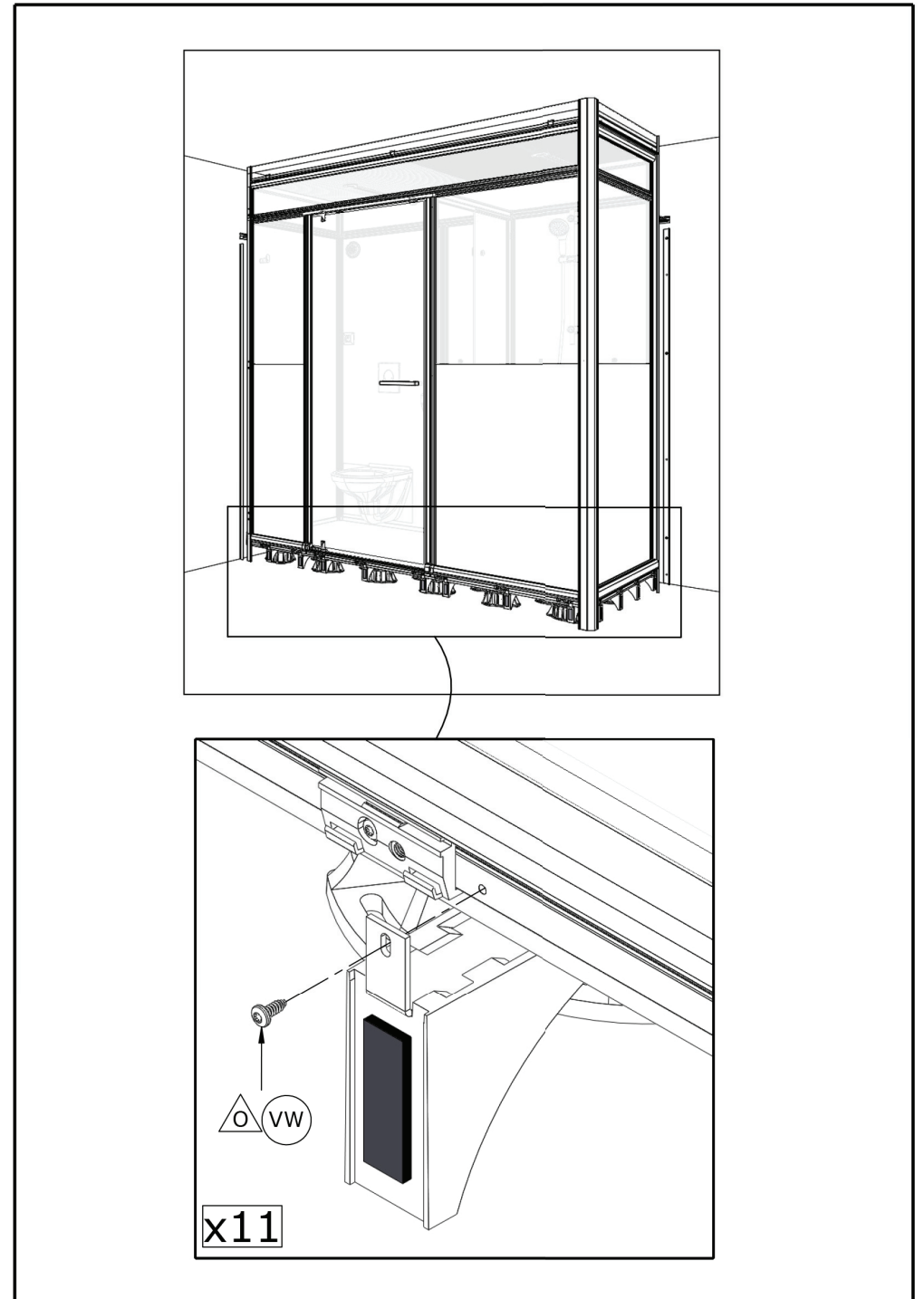
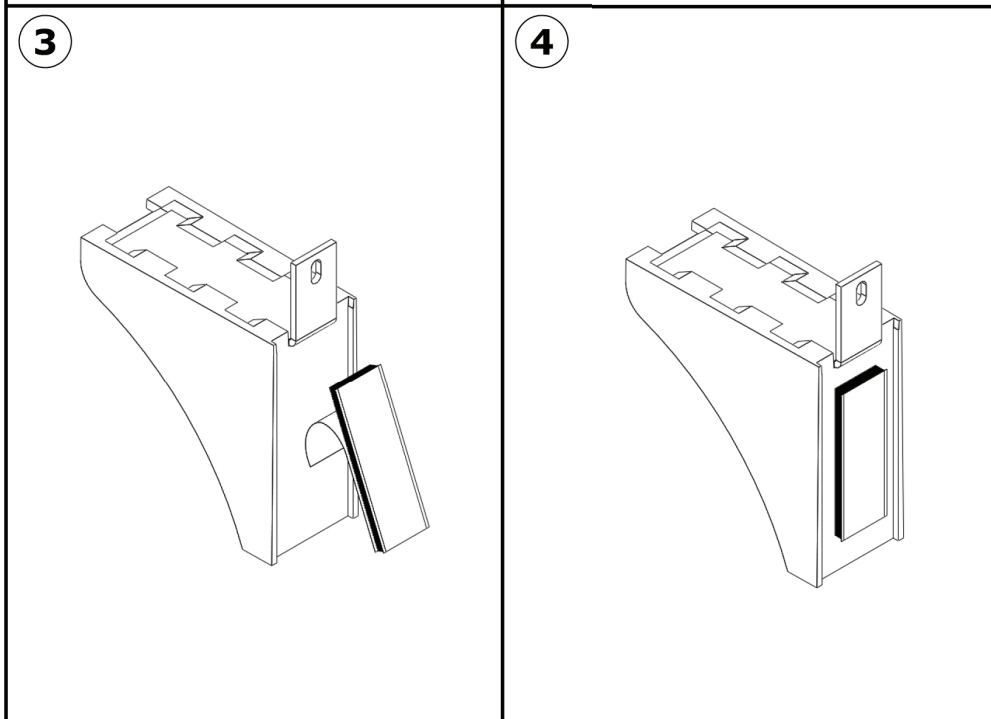
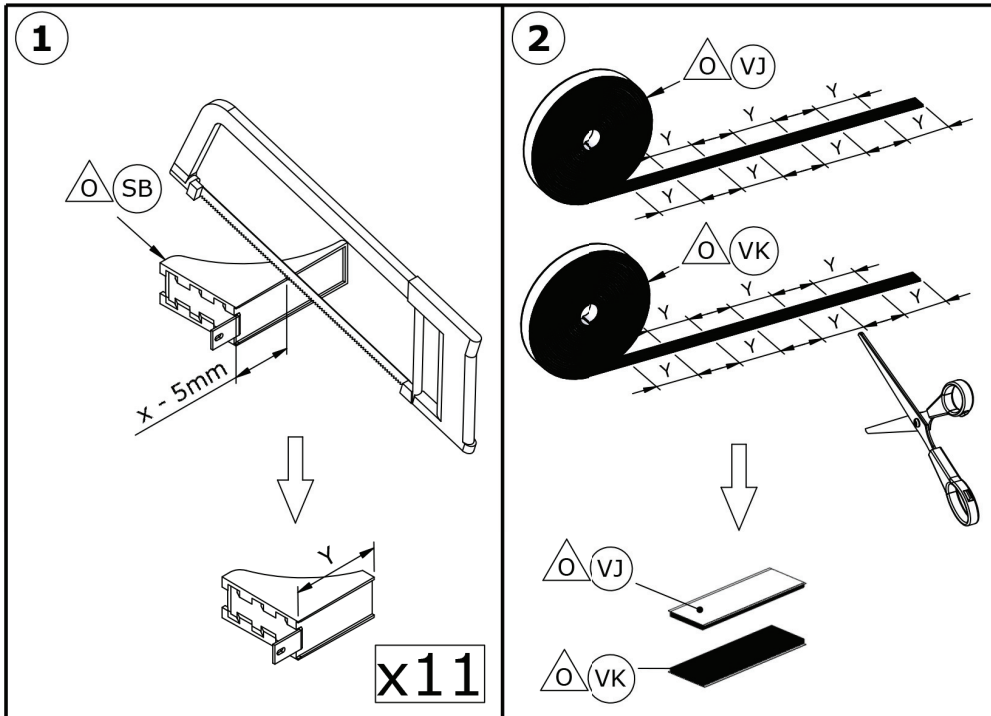


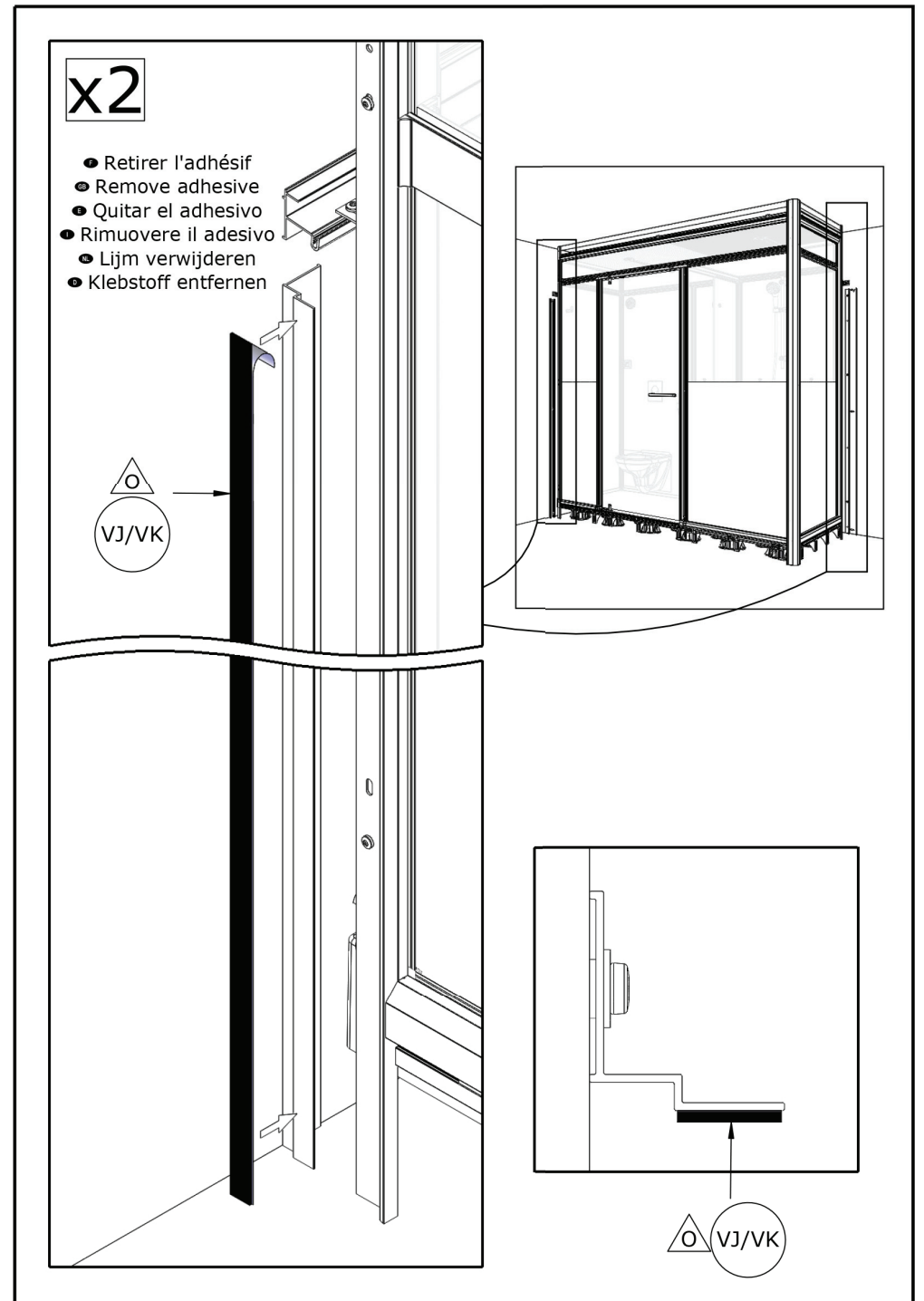
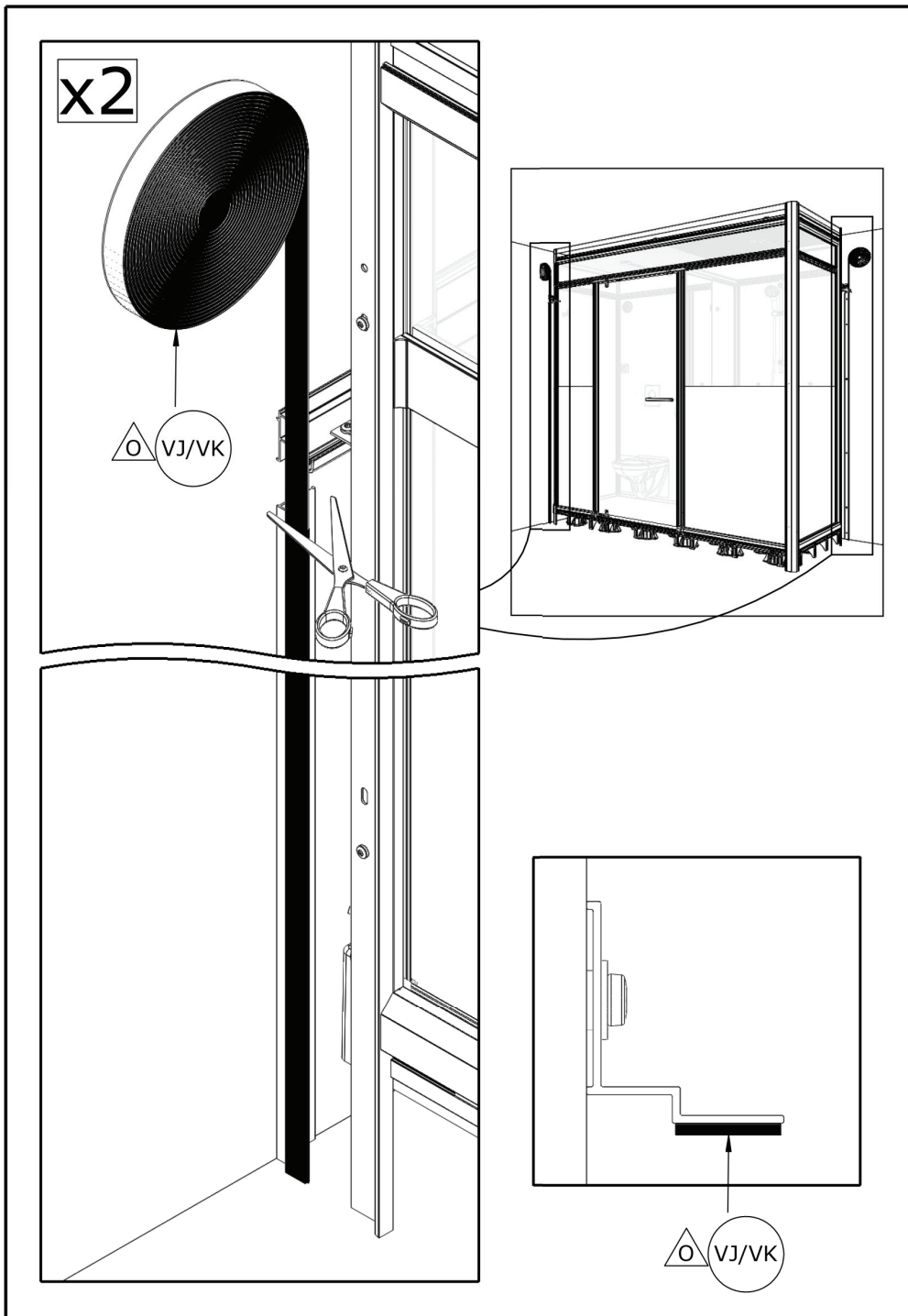


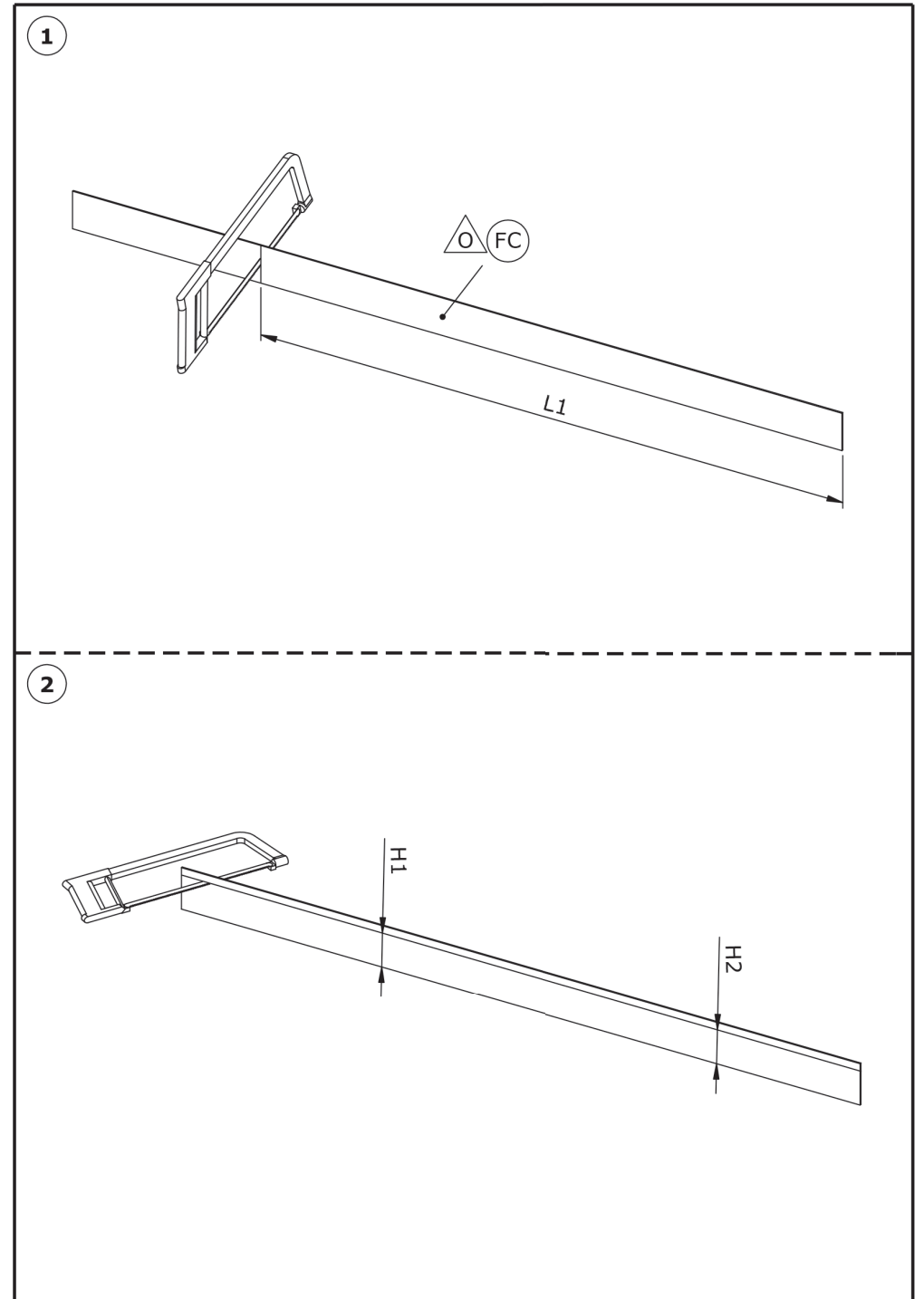
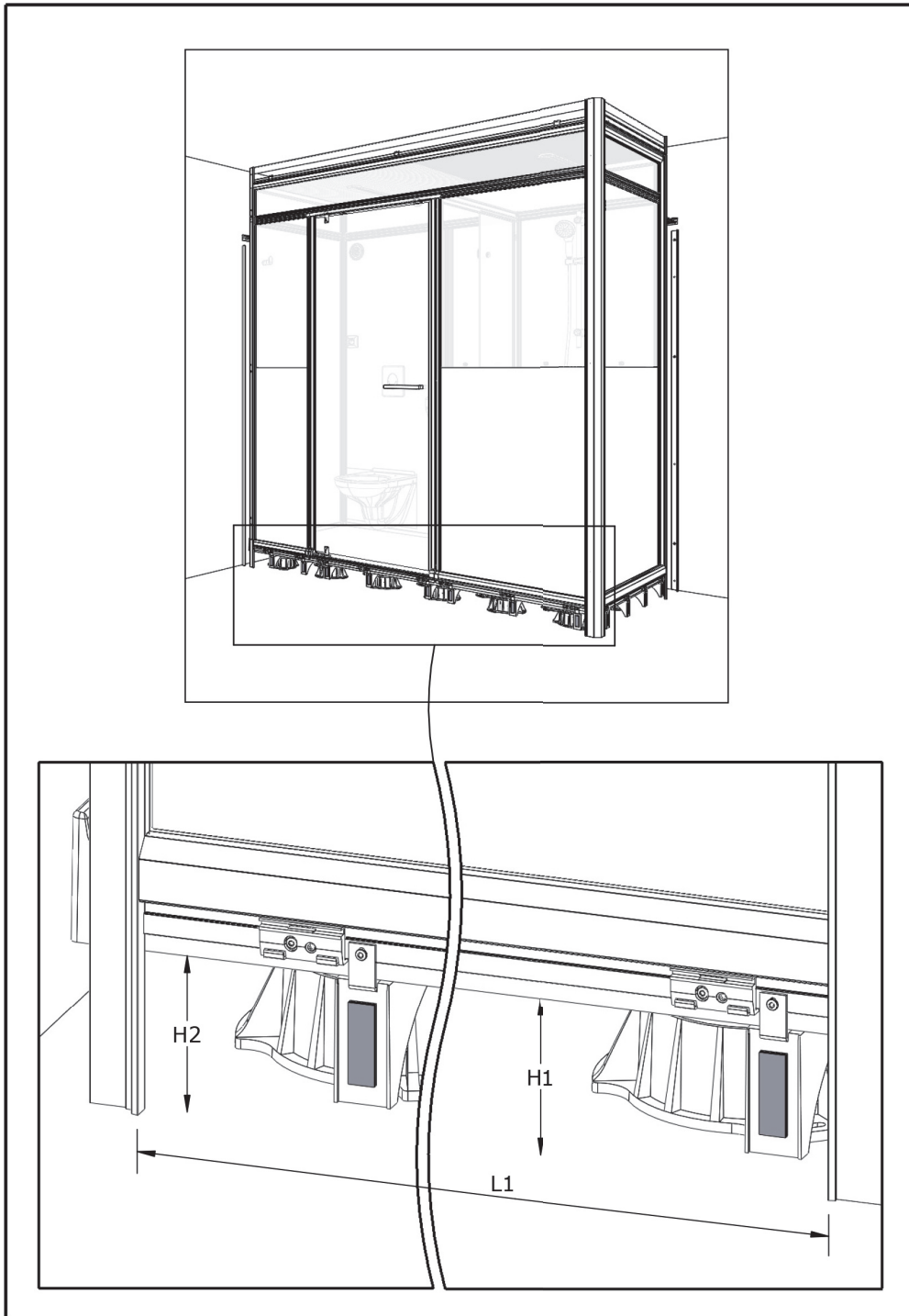


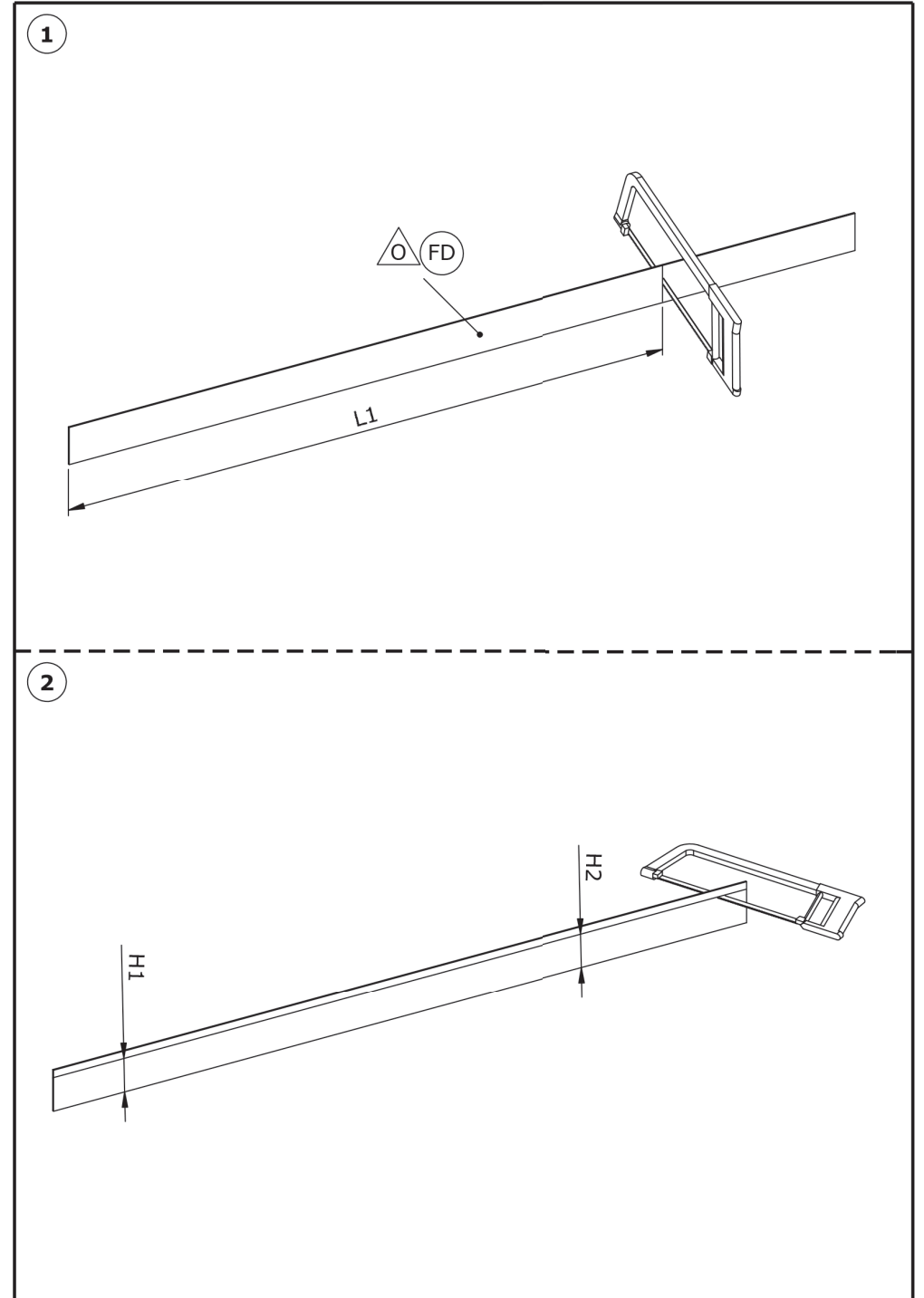
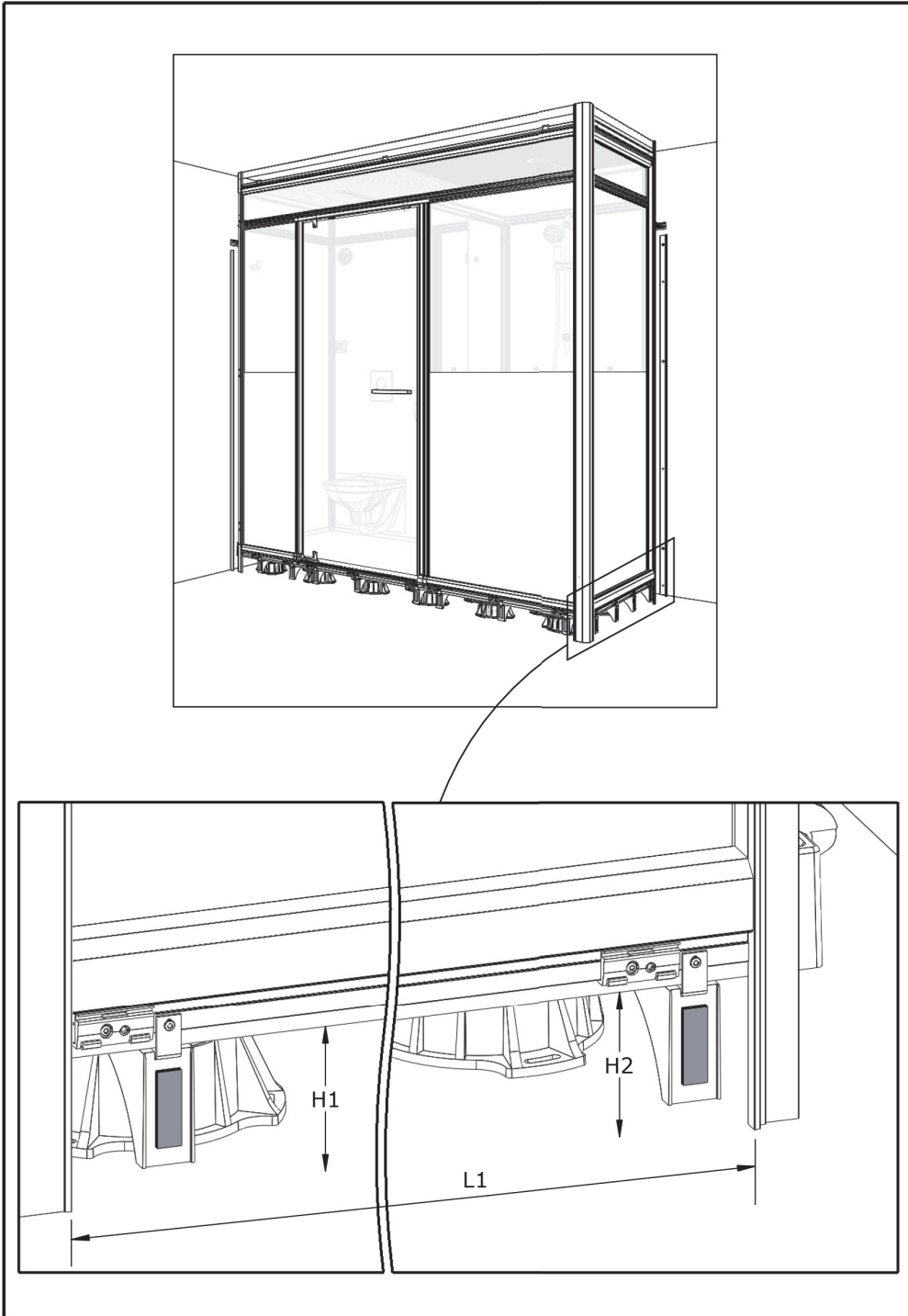




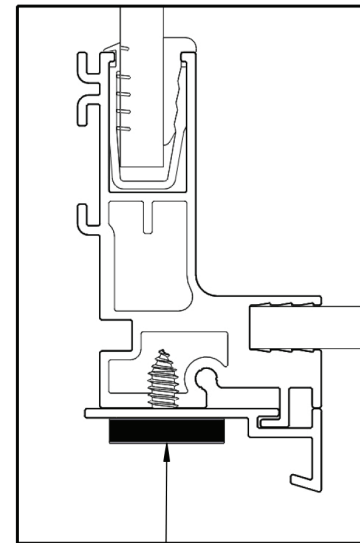
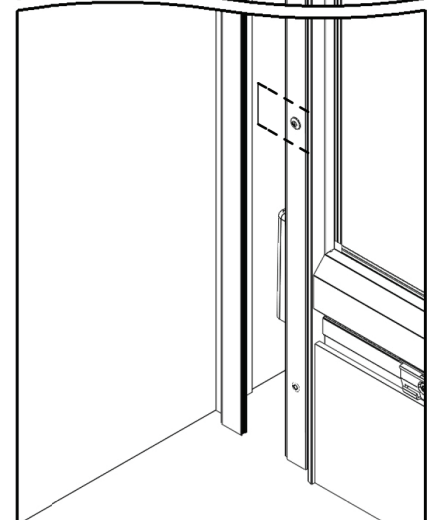
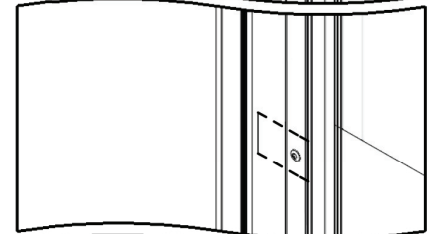
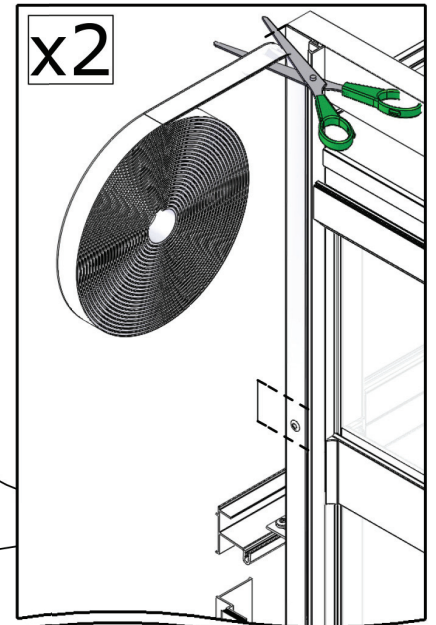
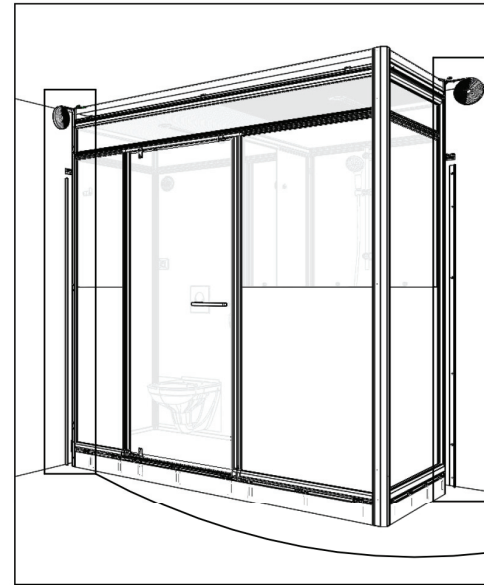
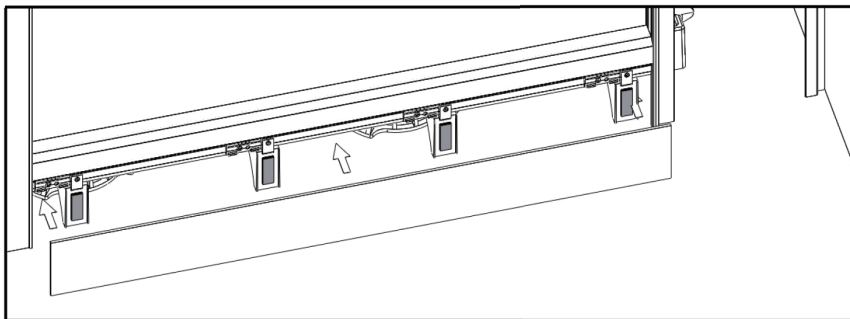
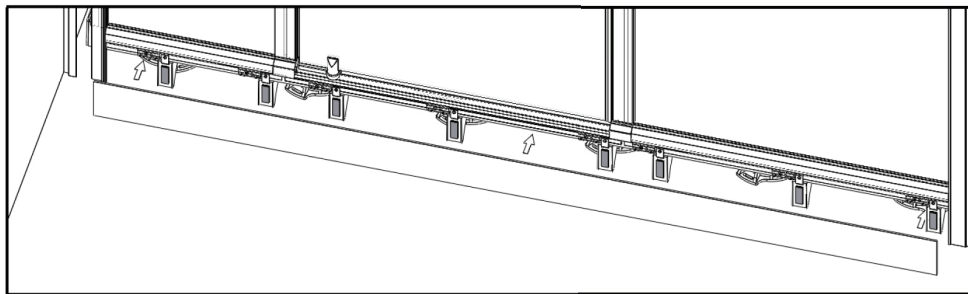
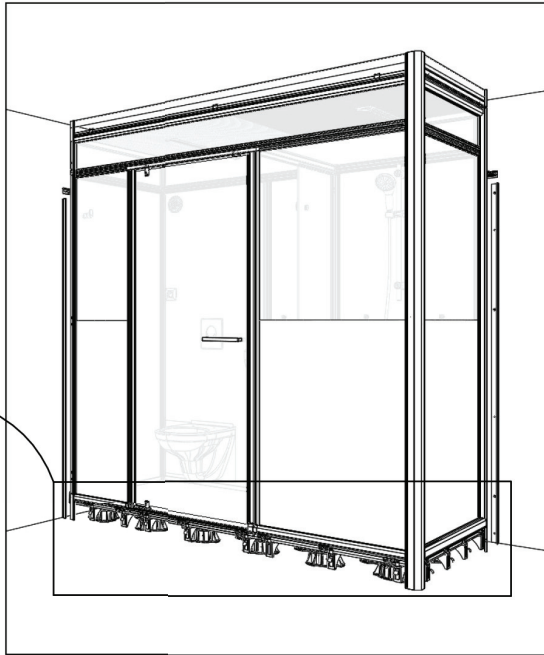
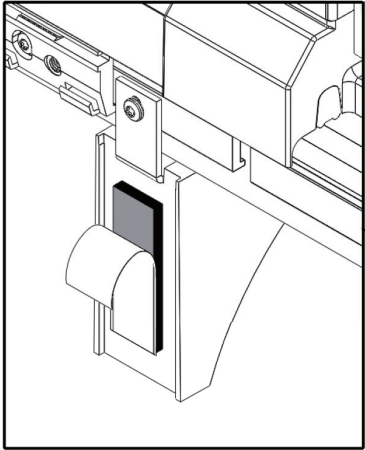




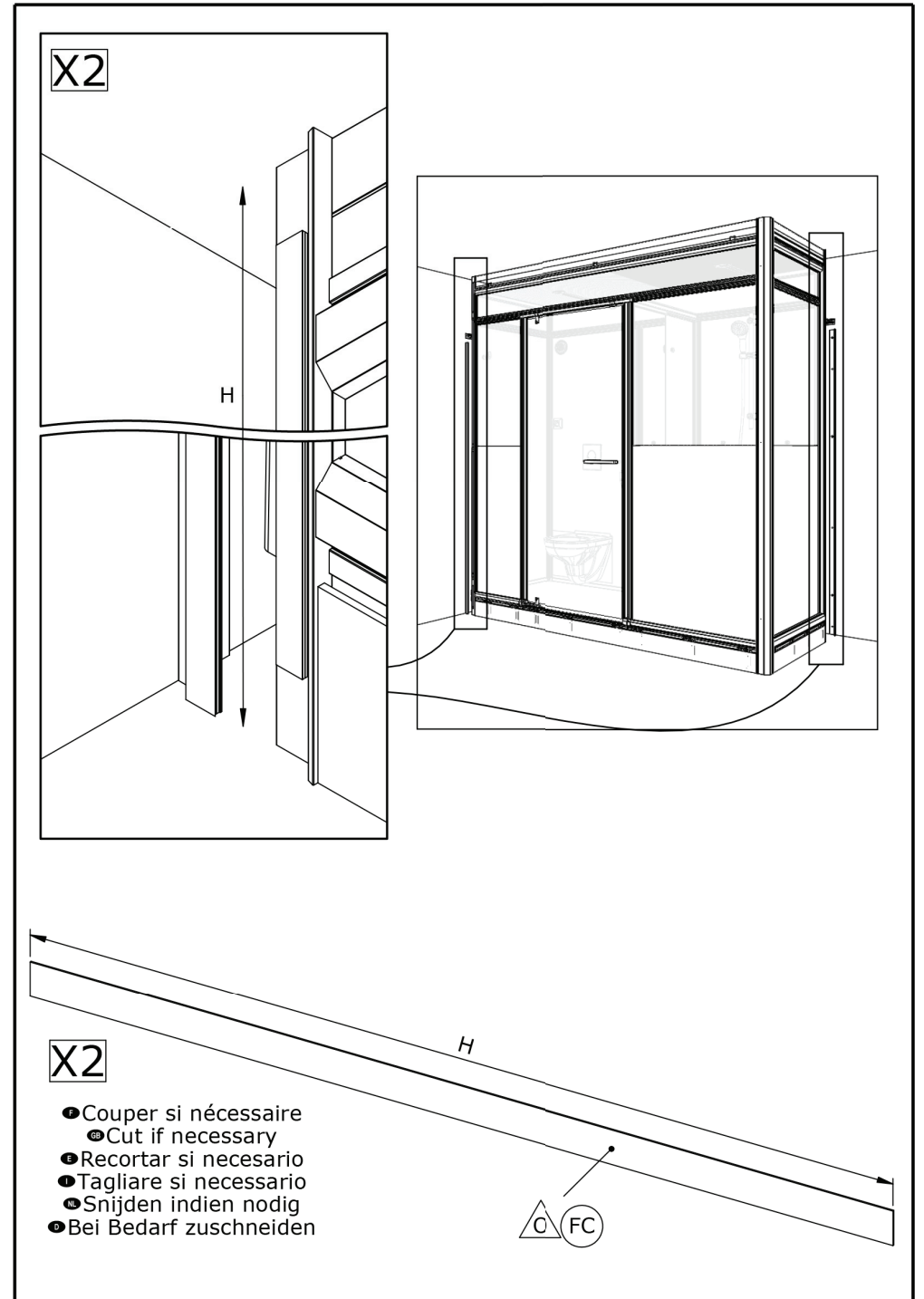
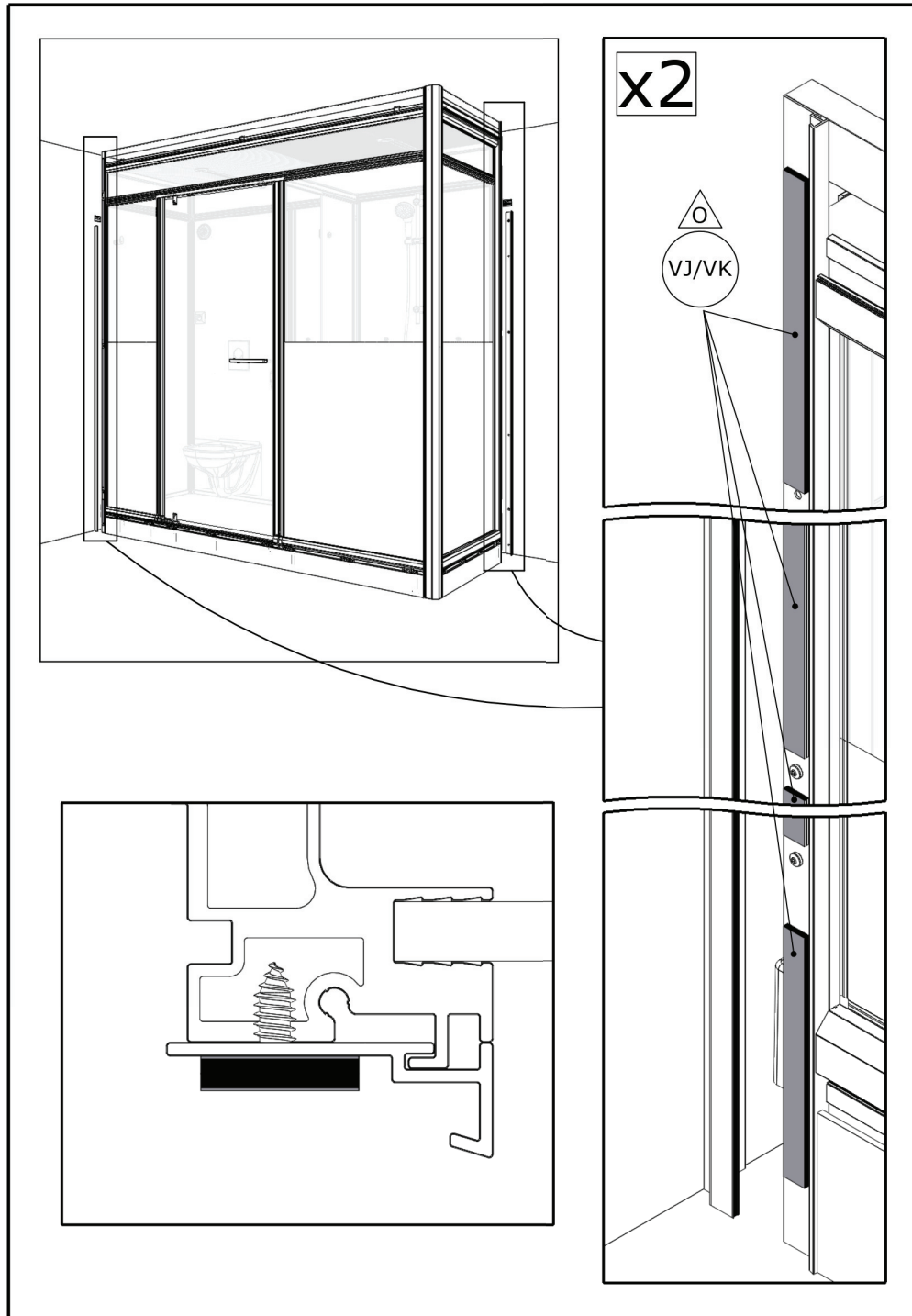




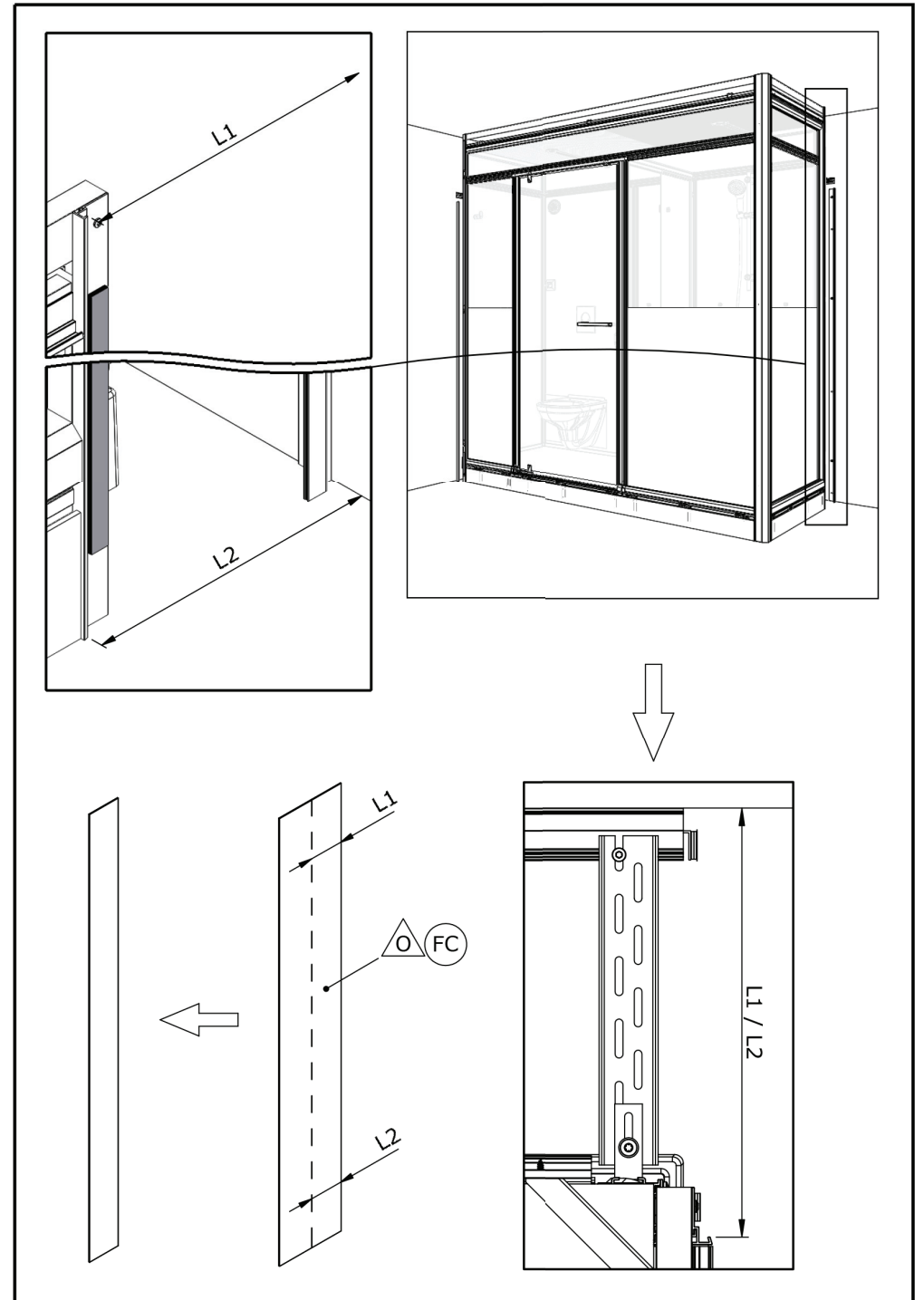
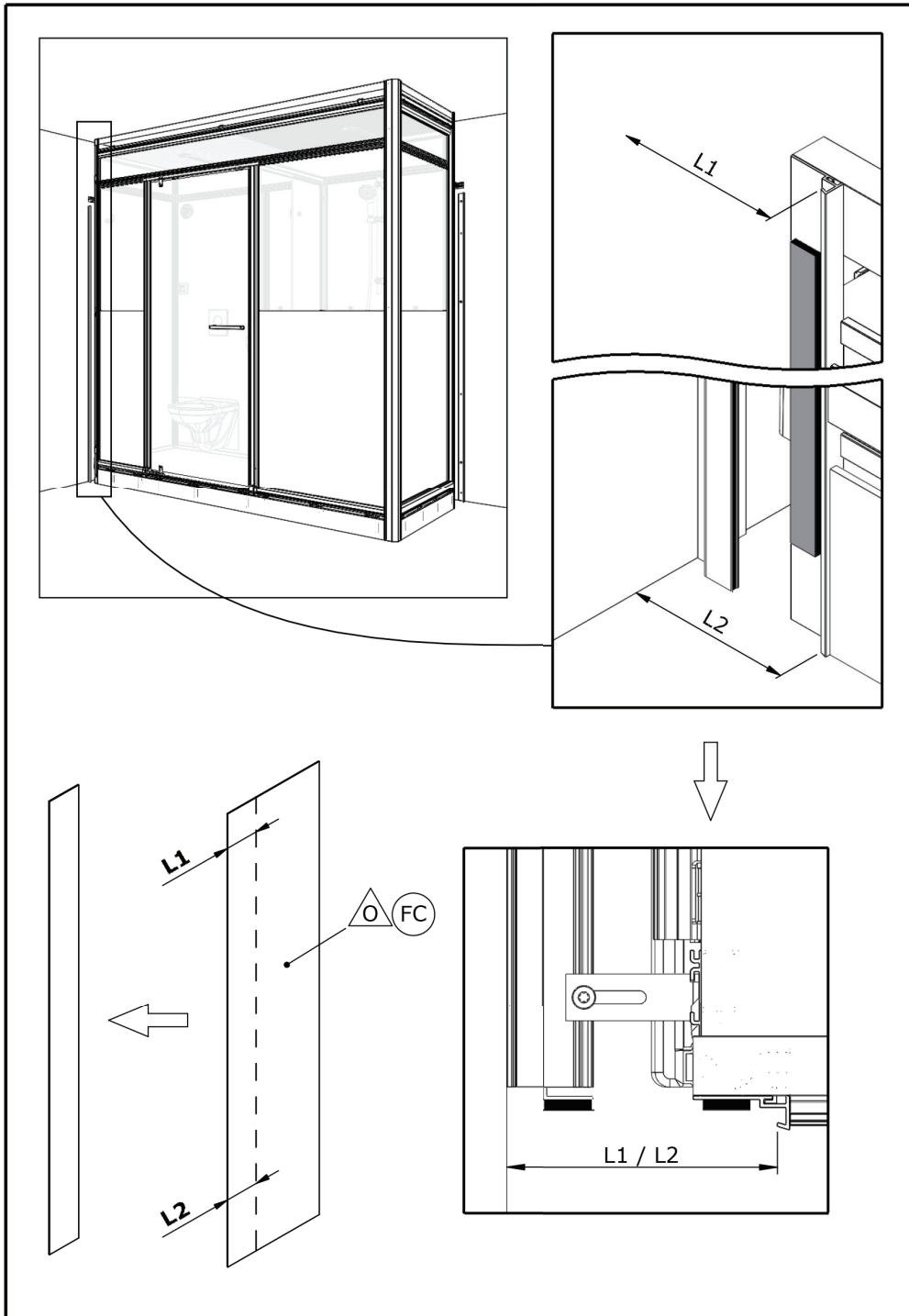
- ➊ Retirer l'adhésif
- ➋ Remove adhesive
- ➌ Quitar el adhesivo
- ➍ Rimuovere il adesivo
- ➎ Lijm verwijderen
- ➏ Klebstoff entfernen

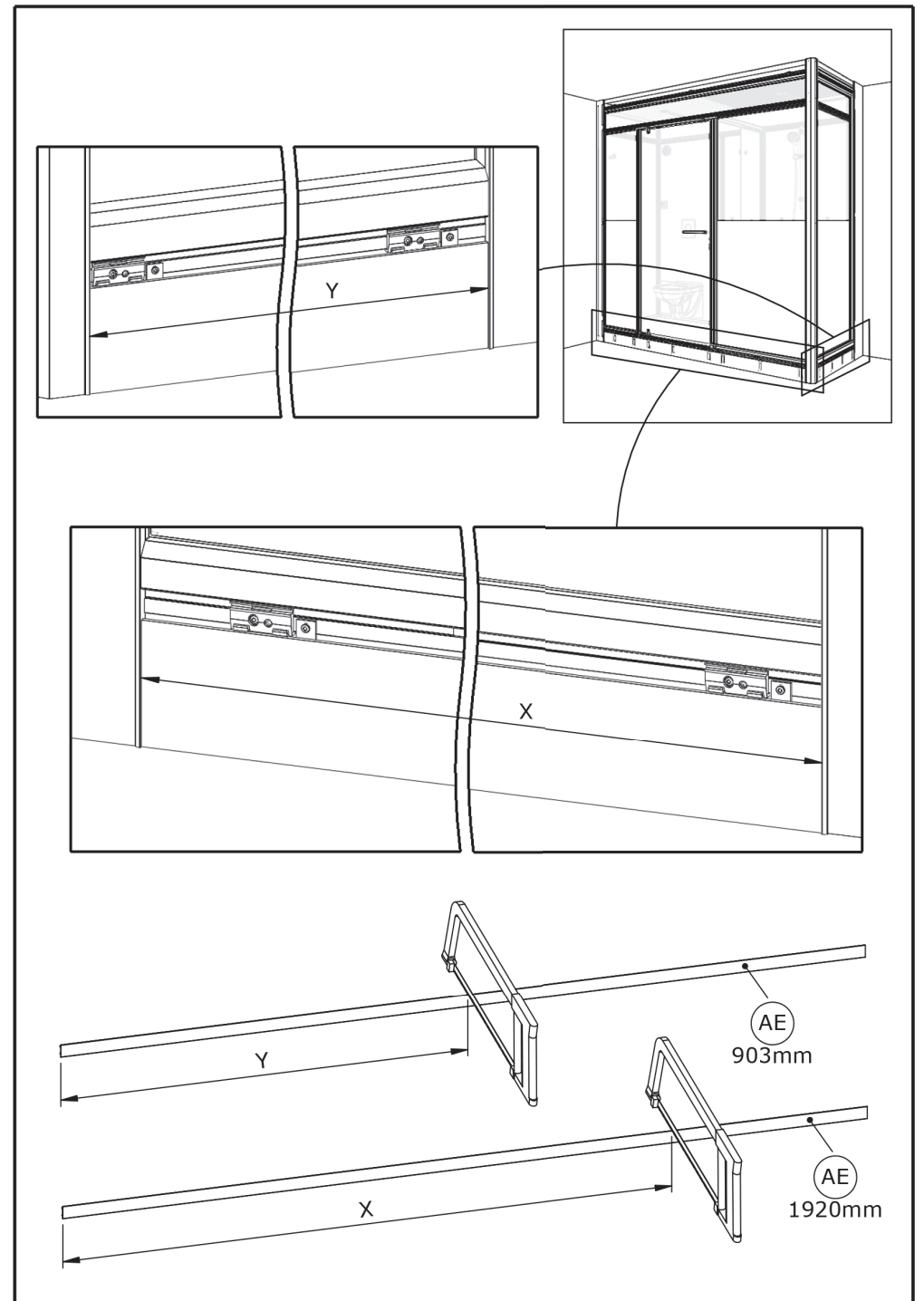
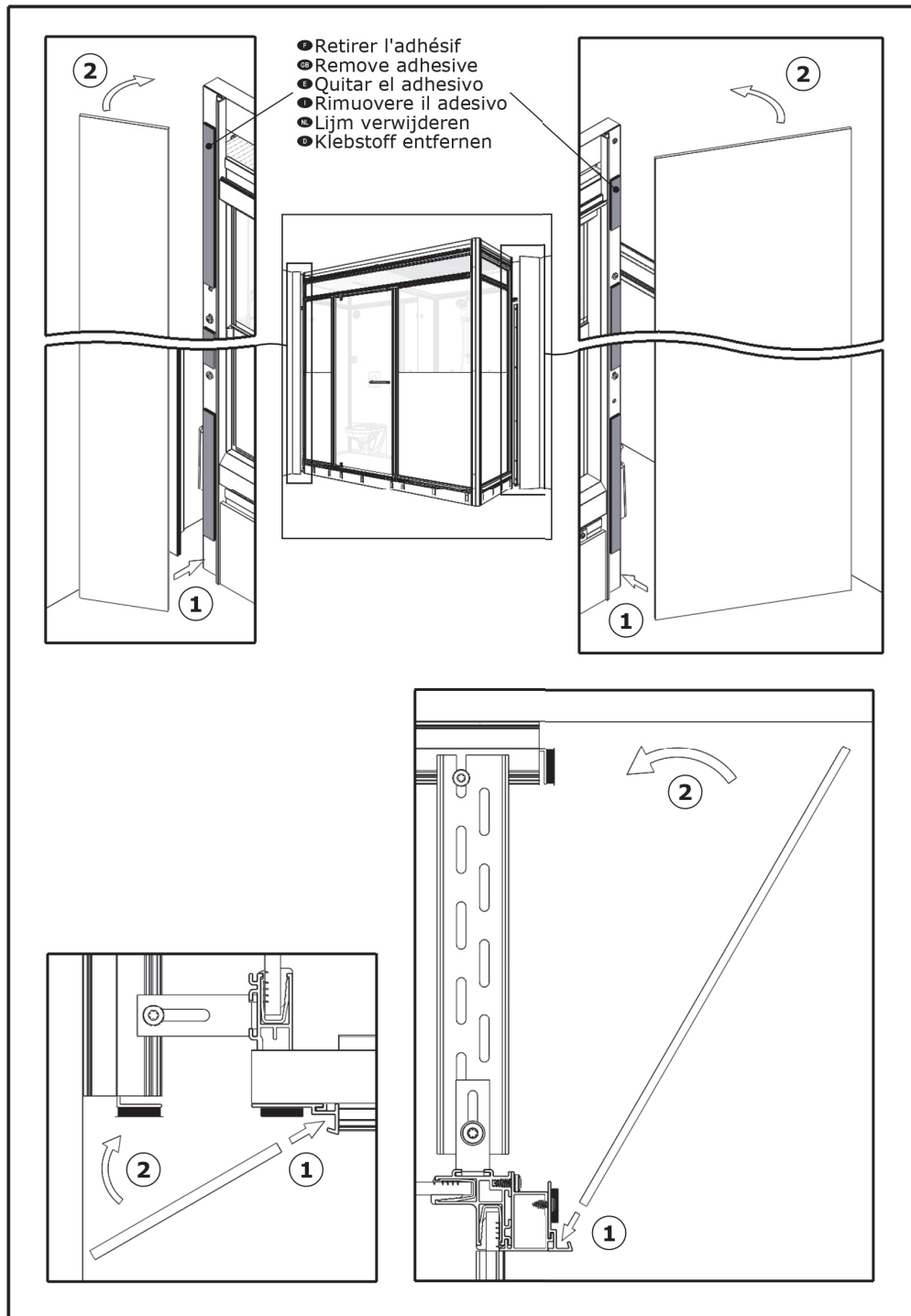


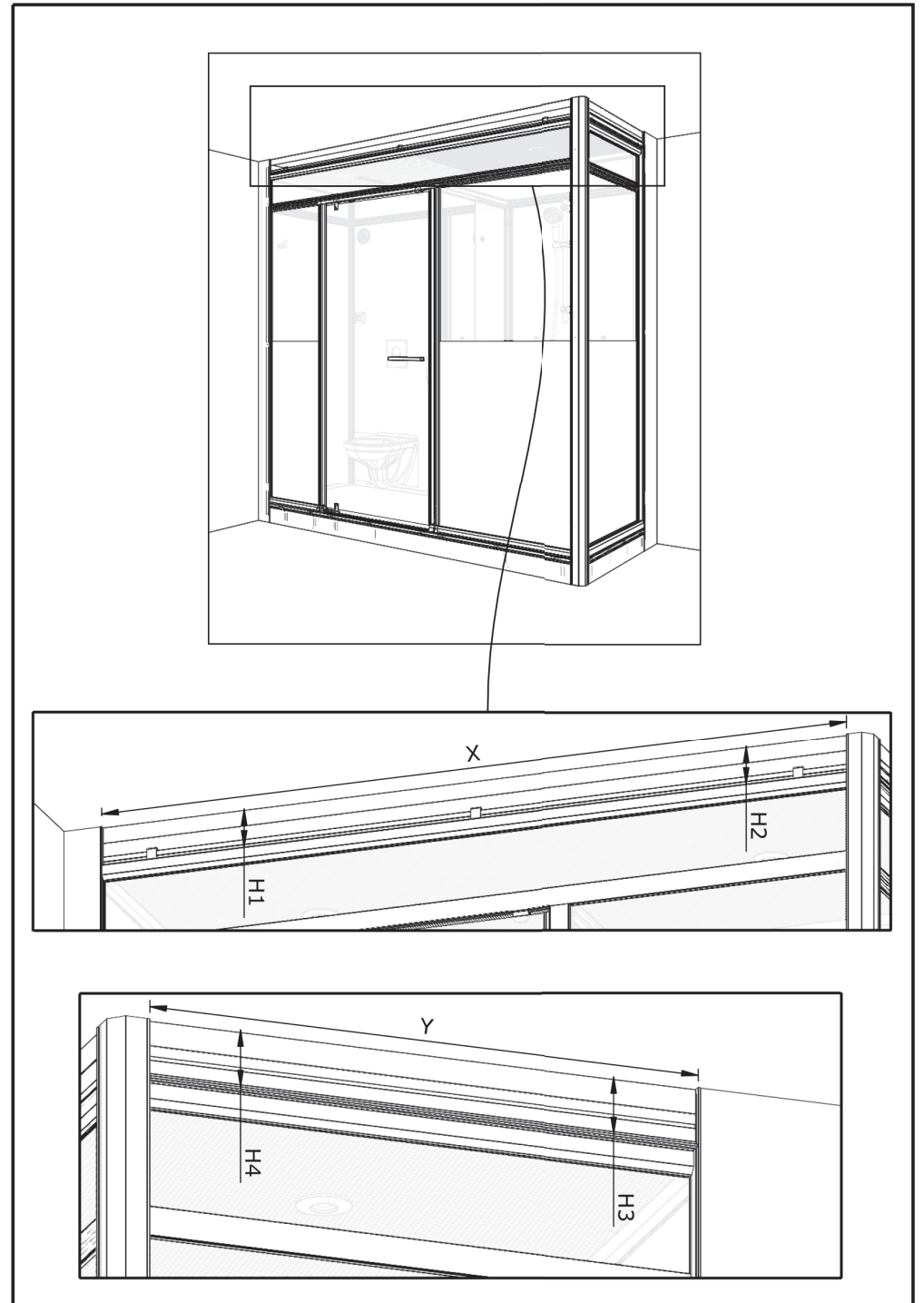
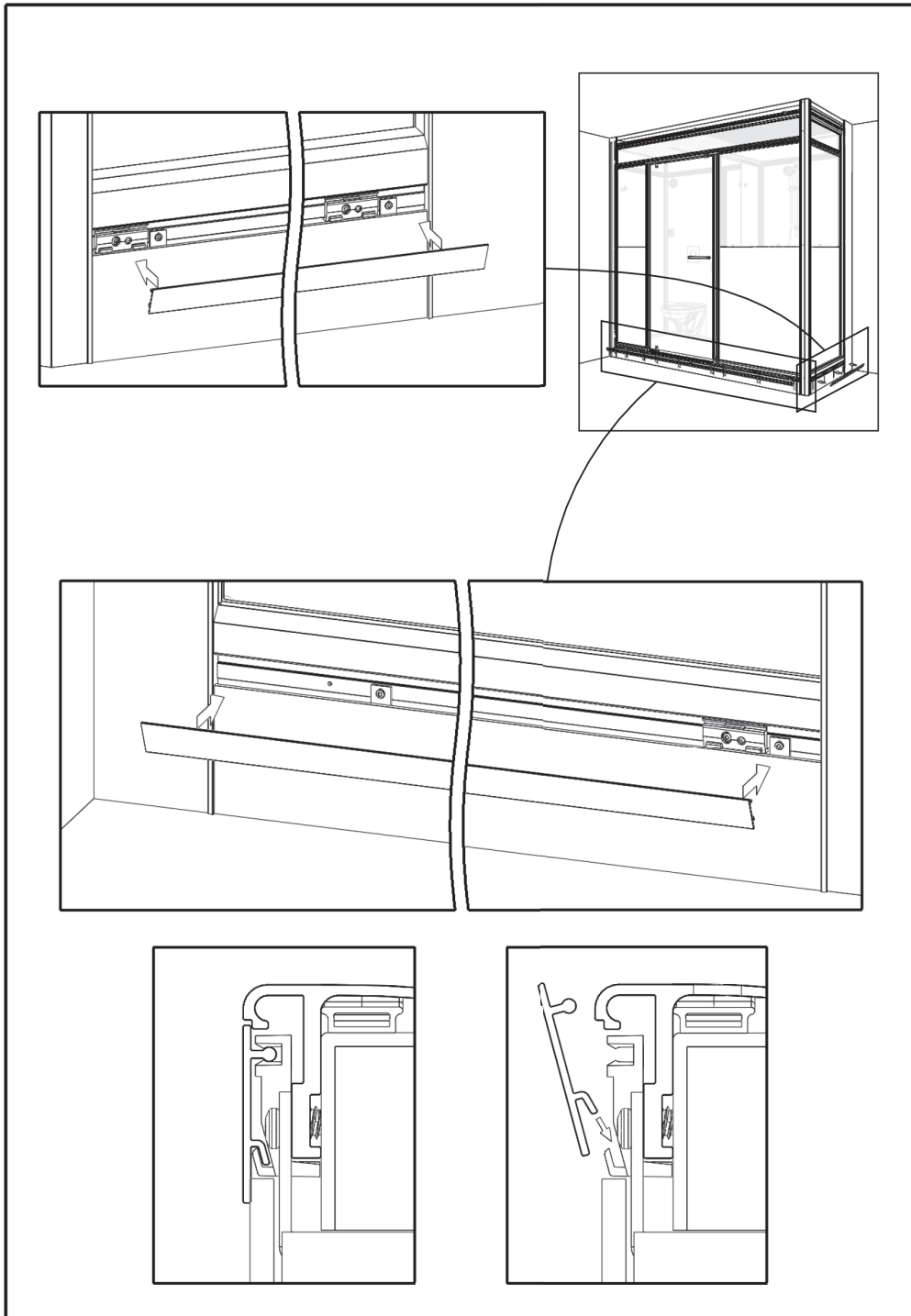
△ VJ/VK

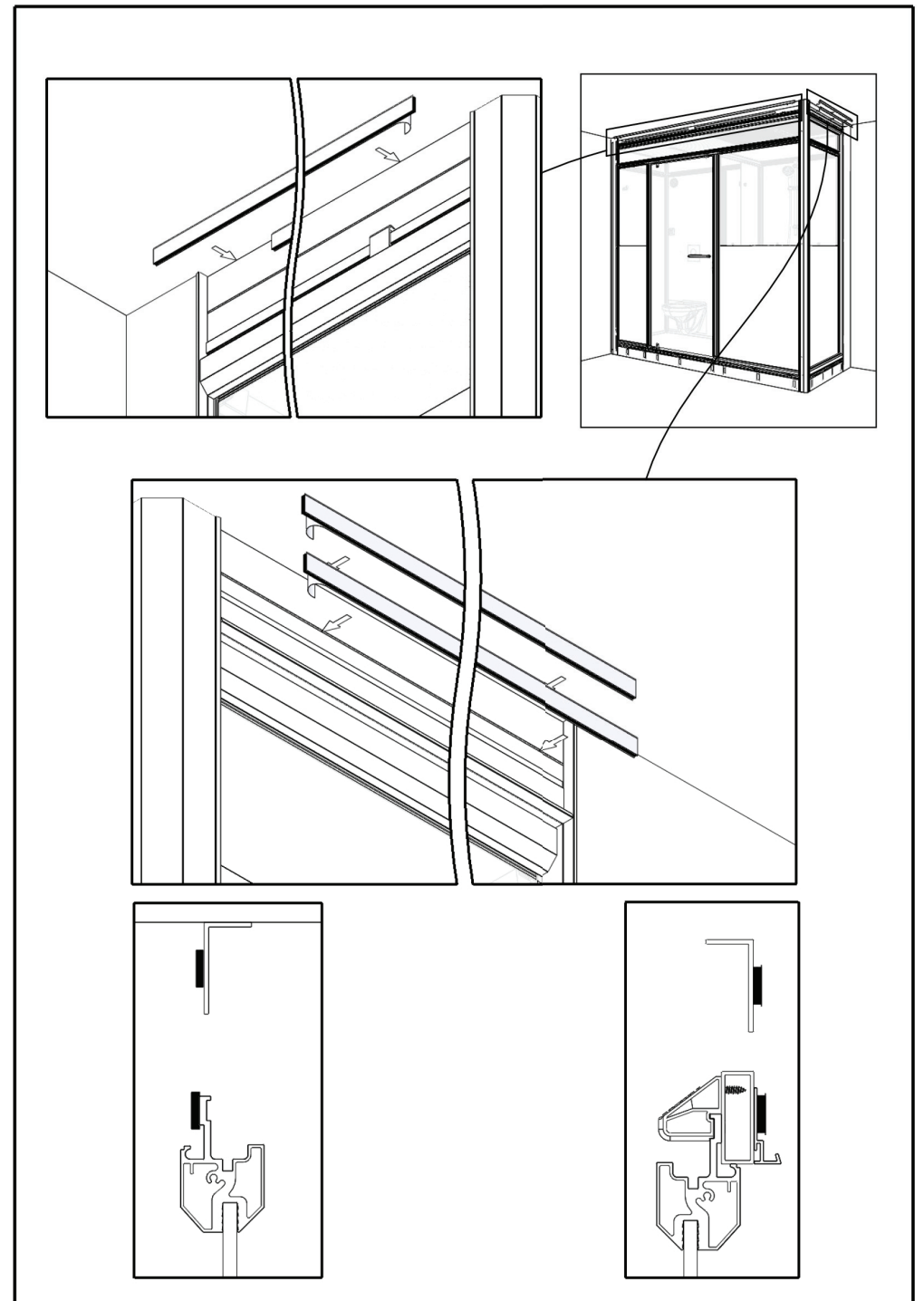
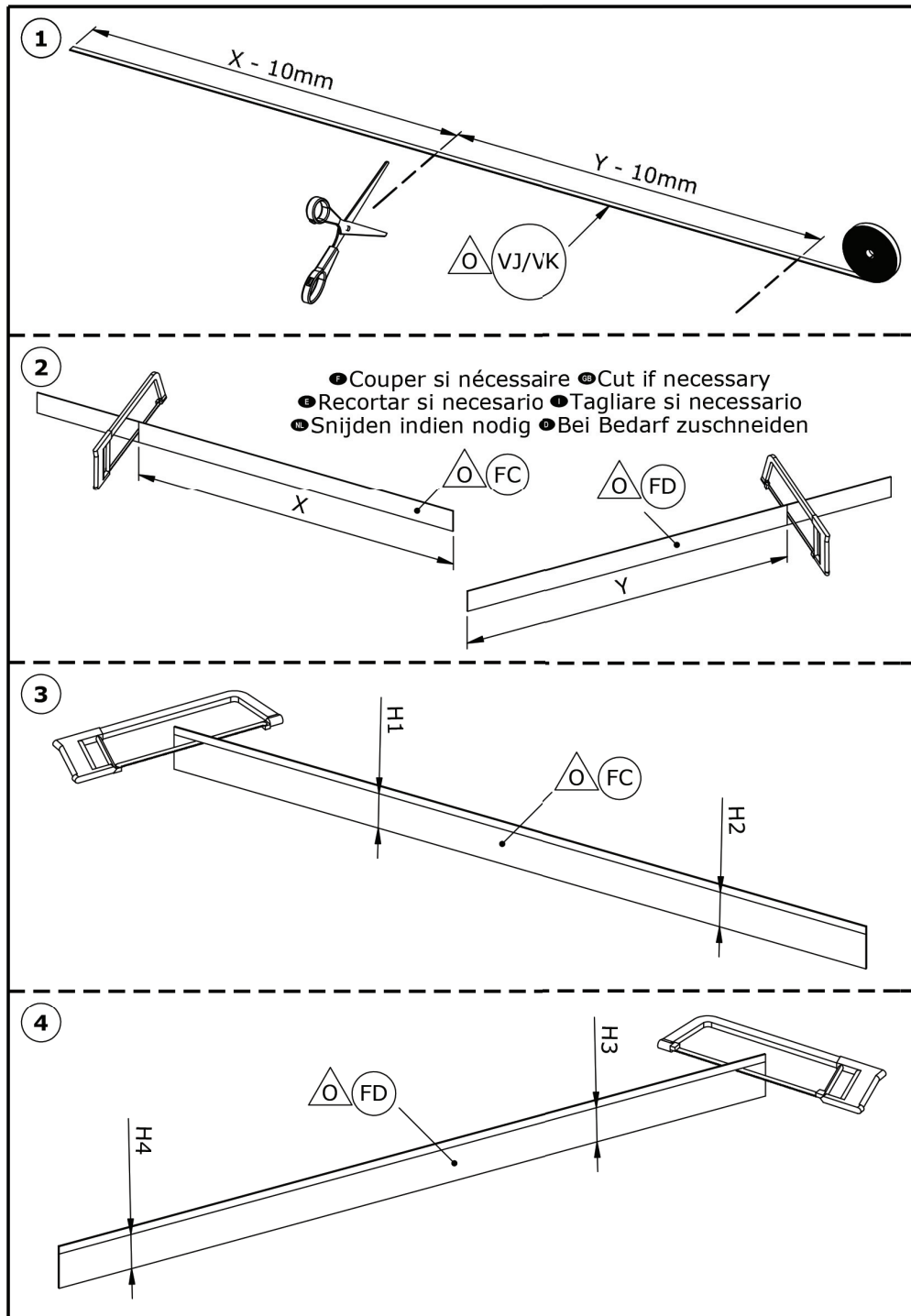


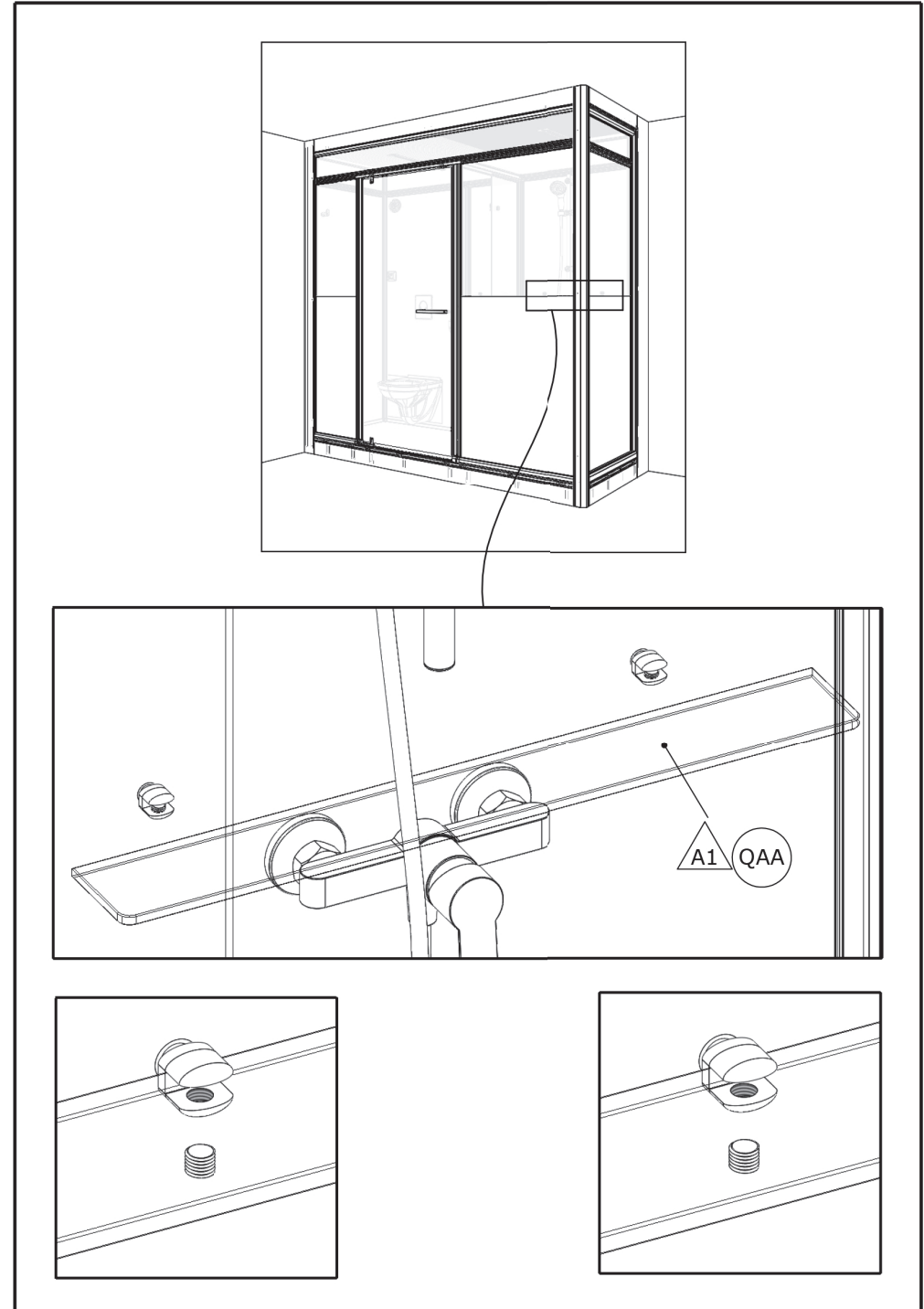
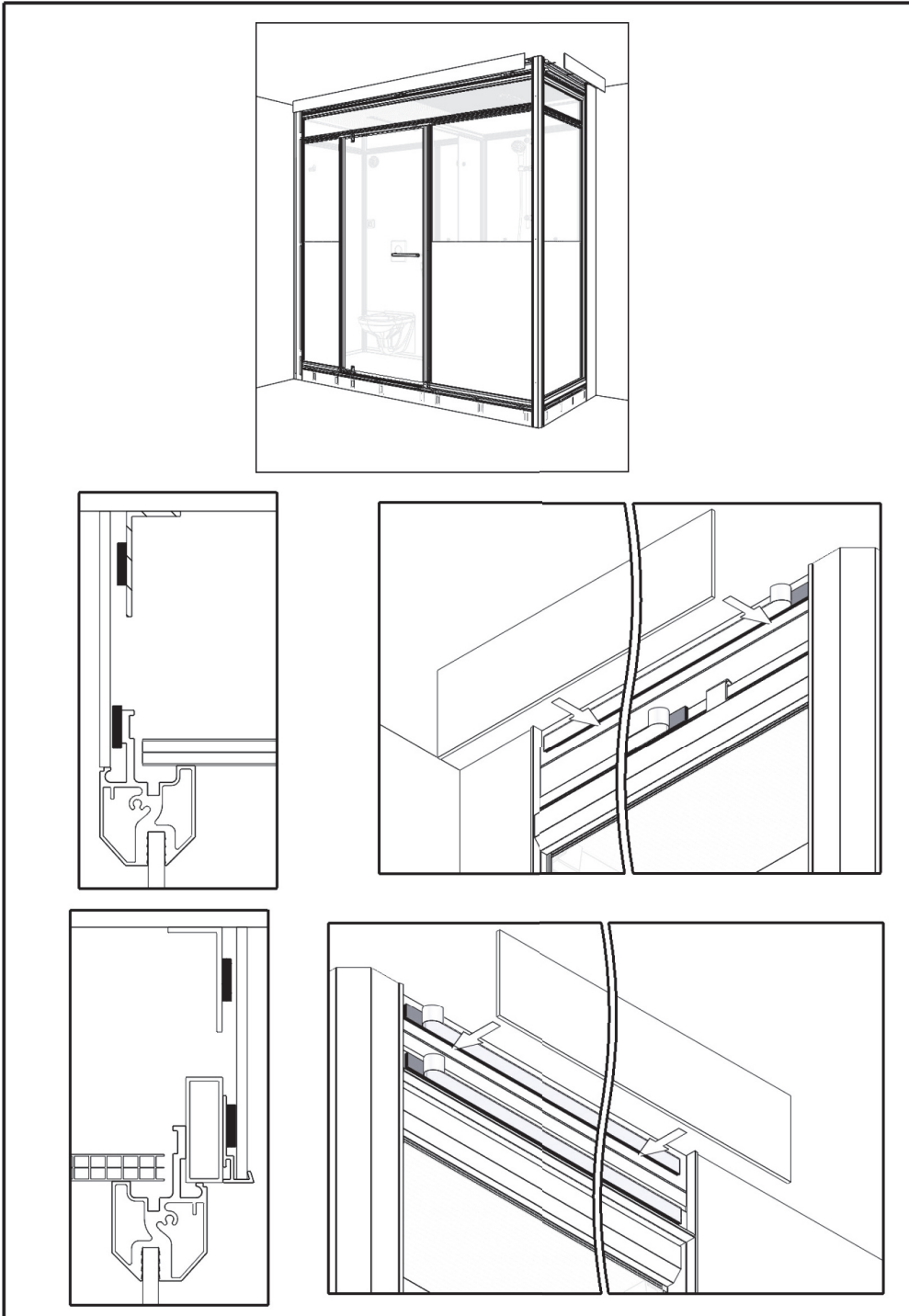


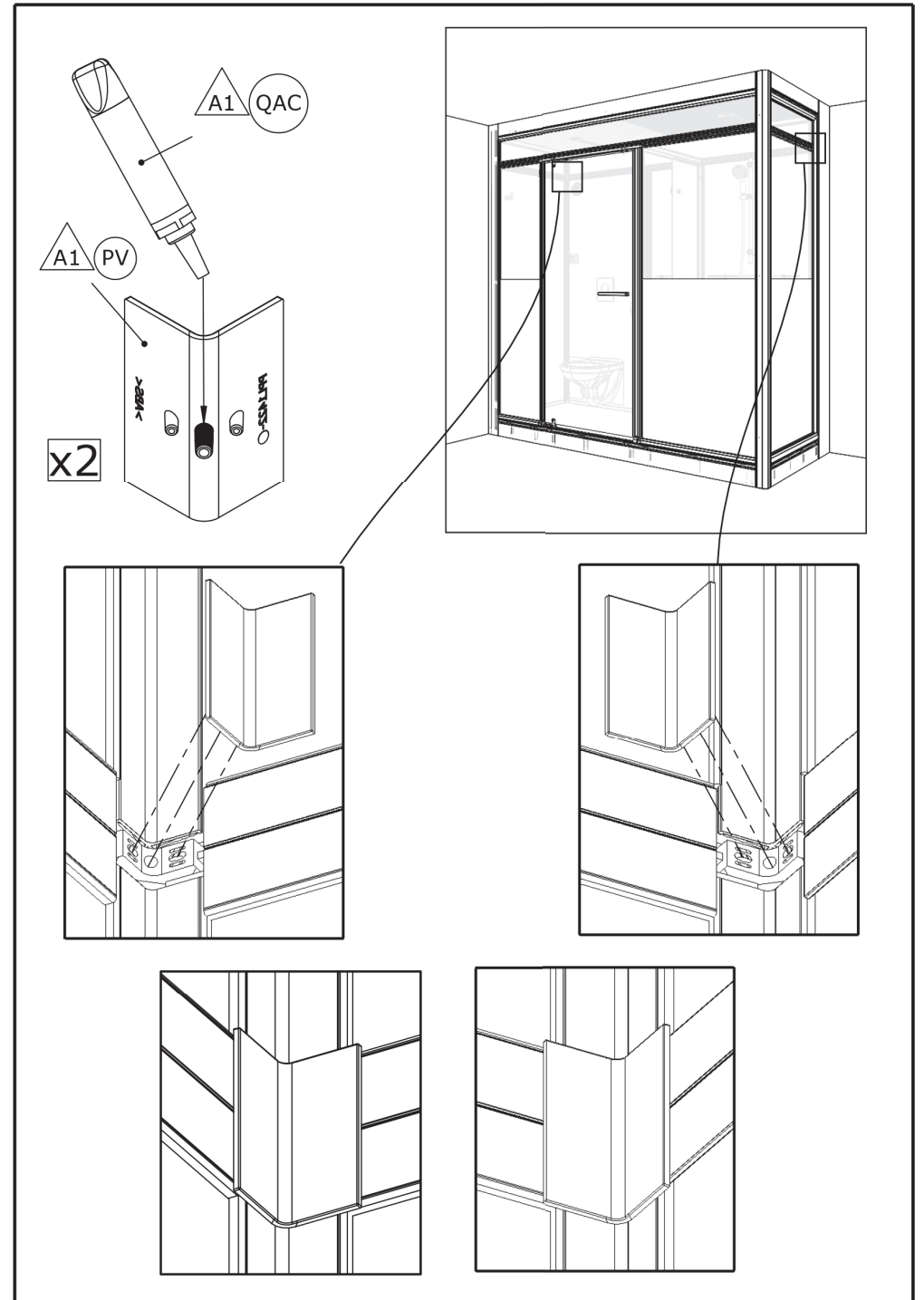
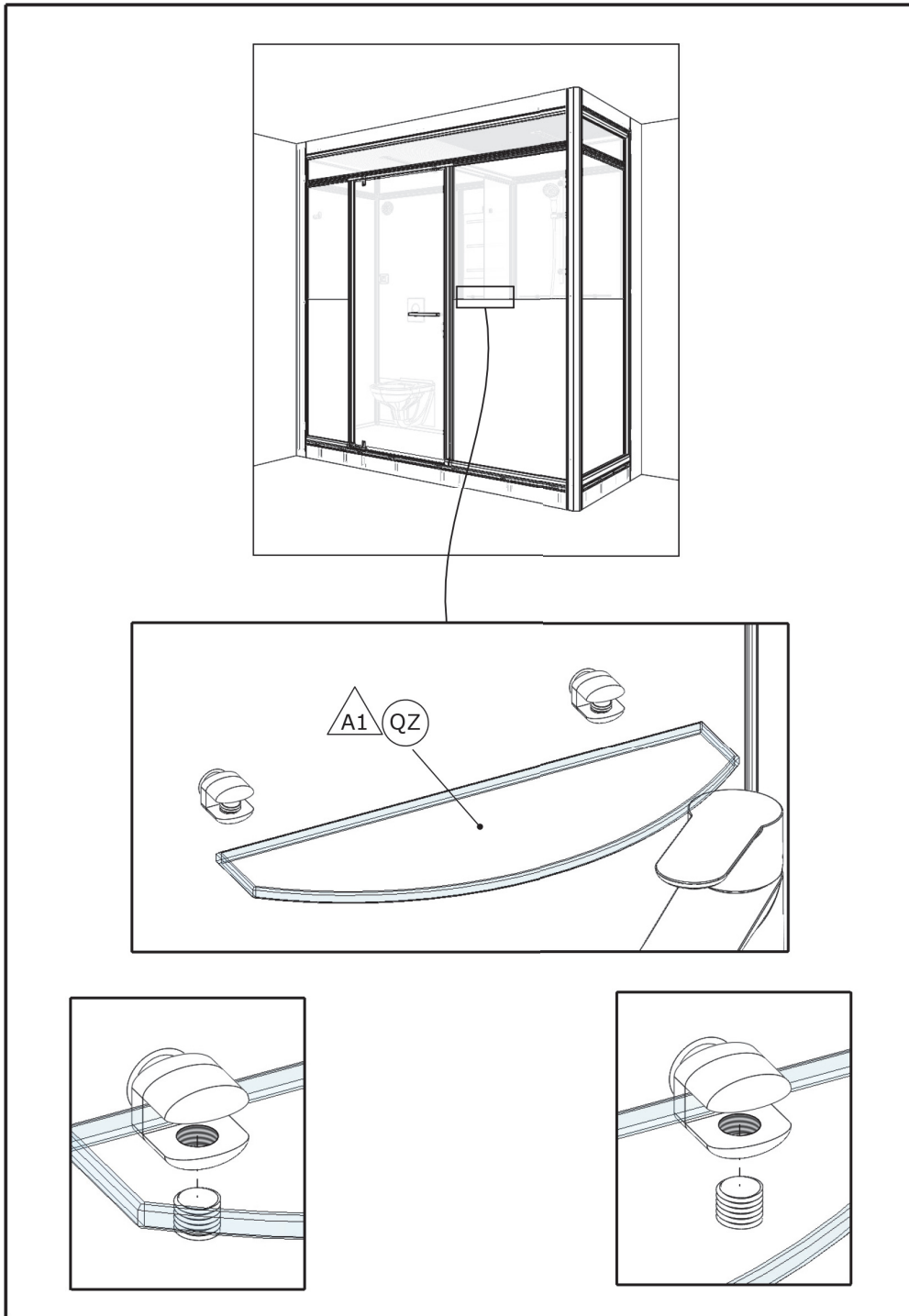


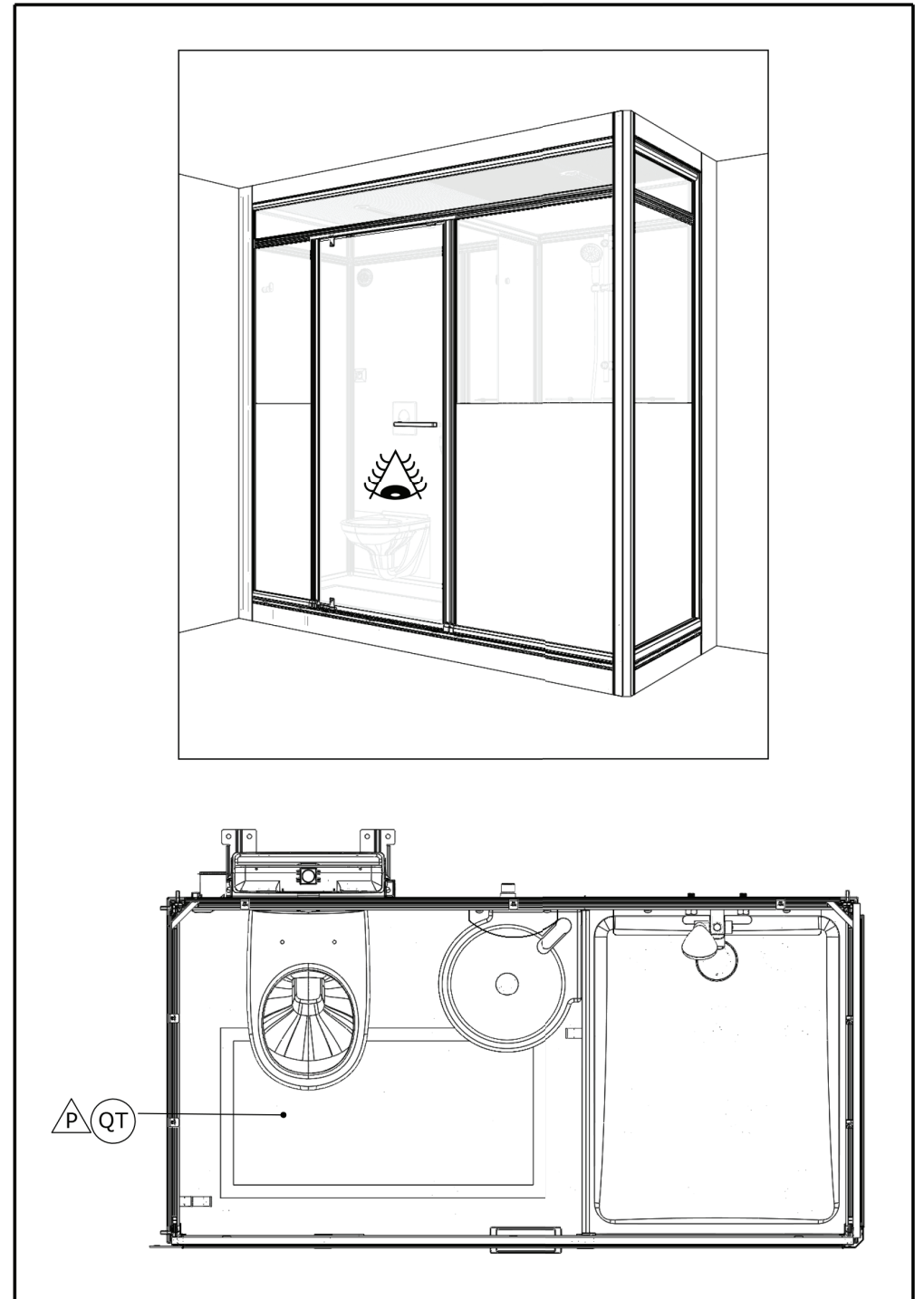
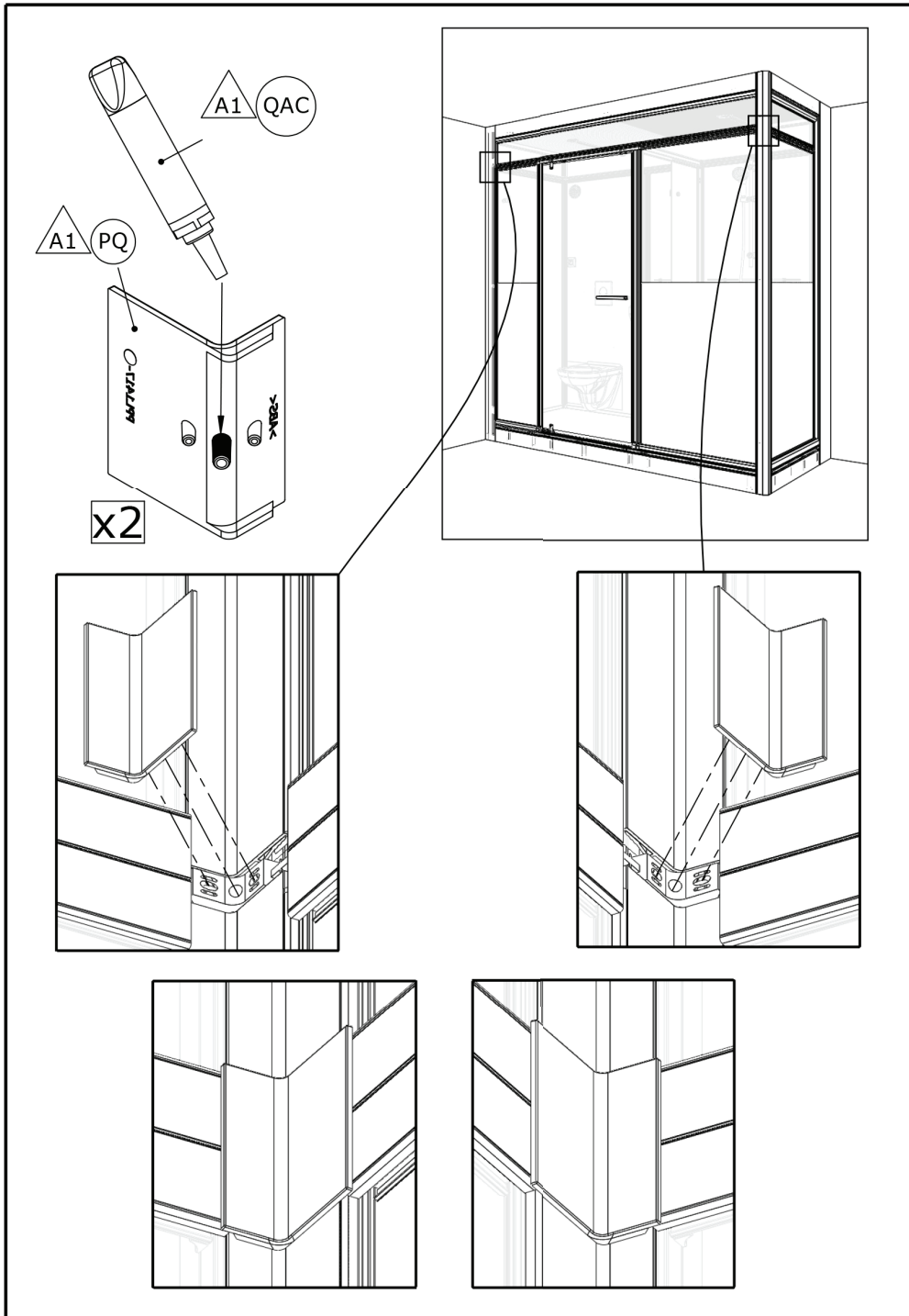


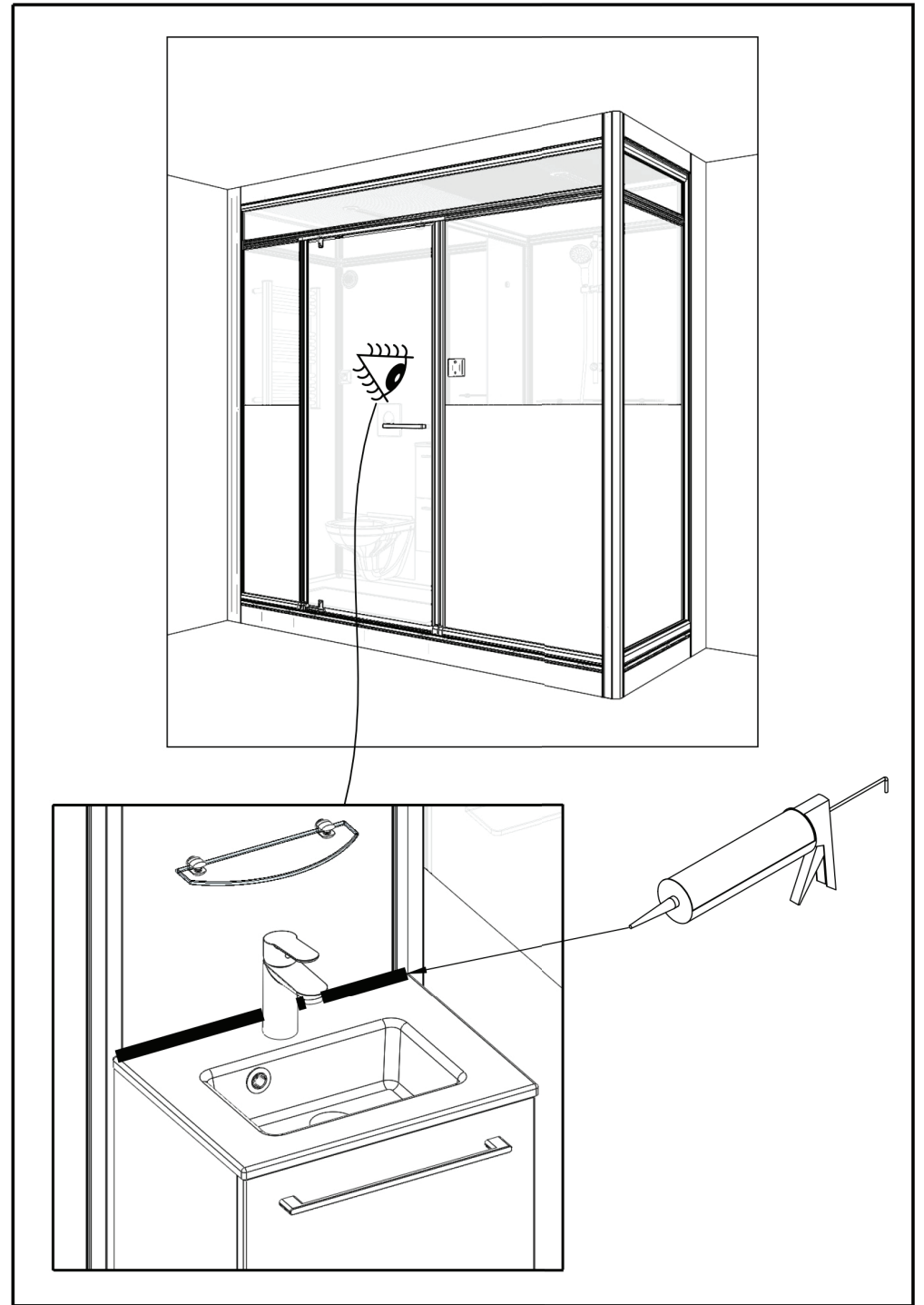
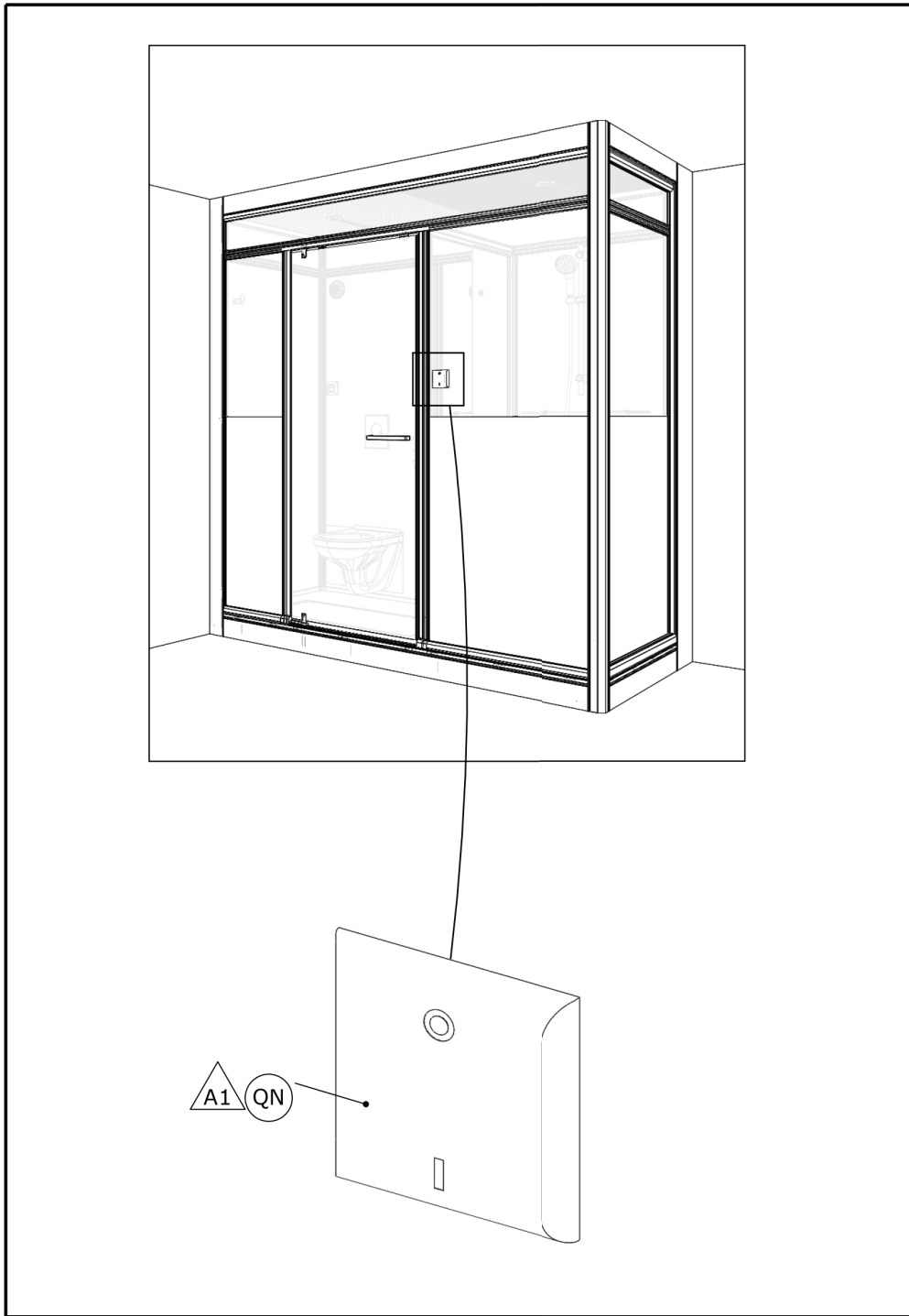




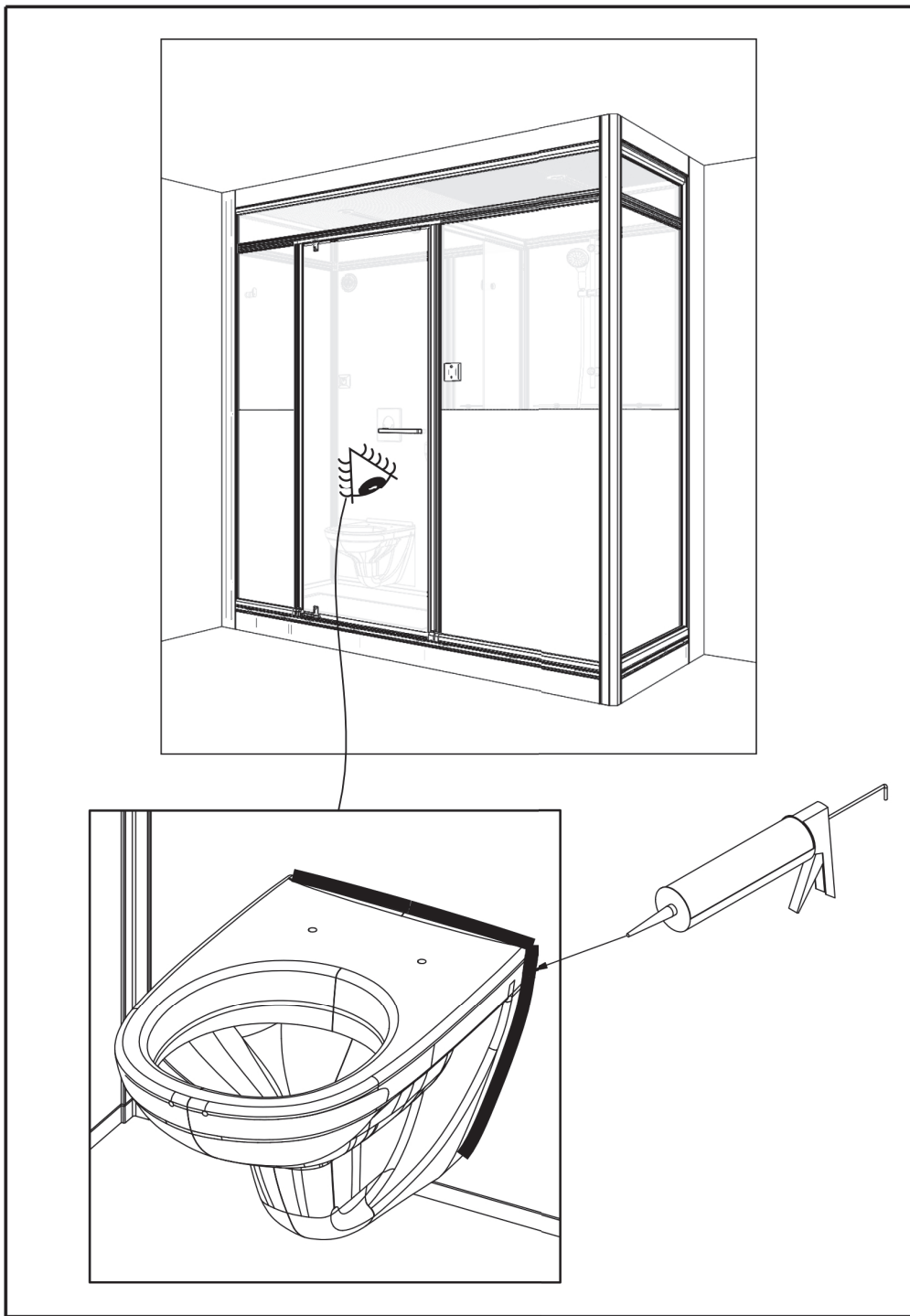


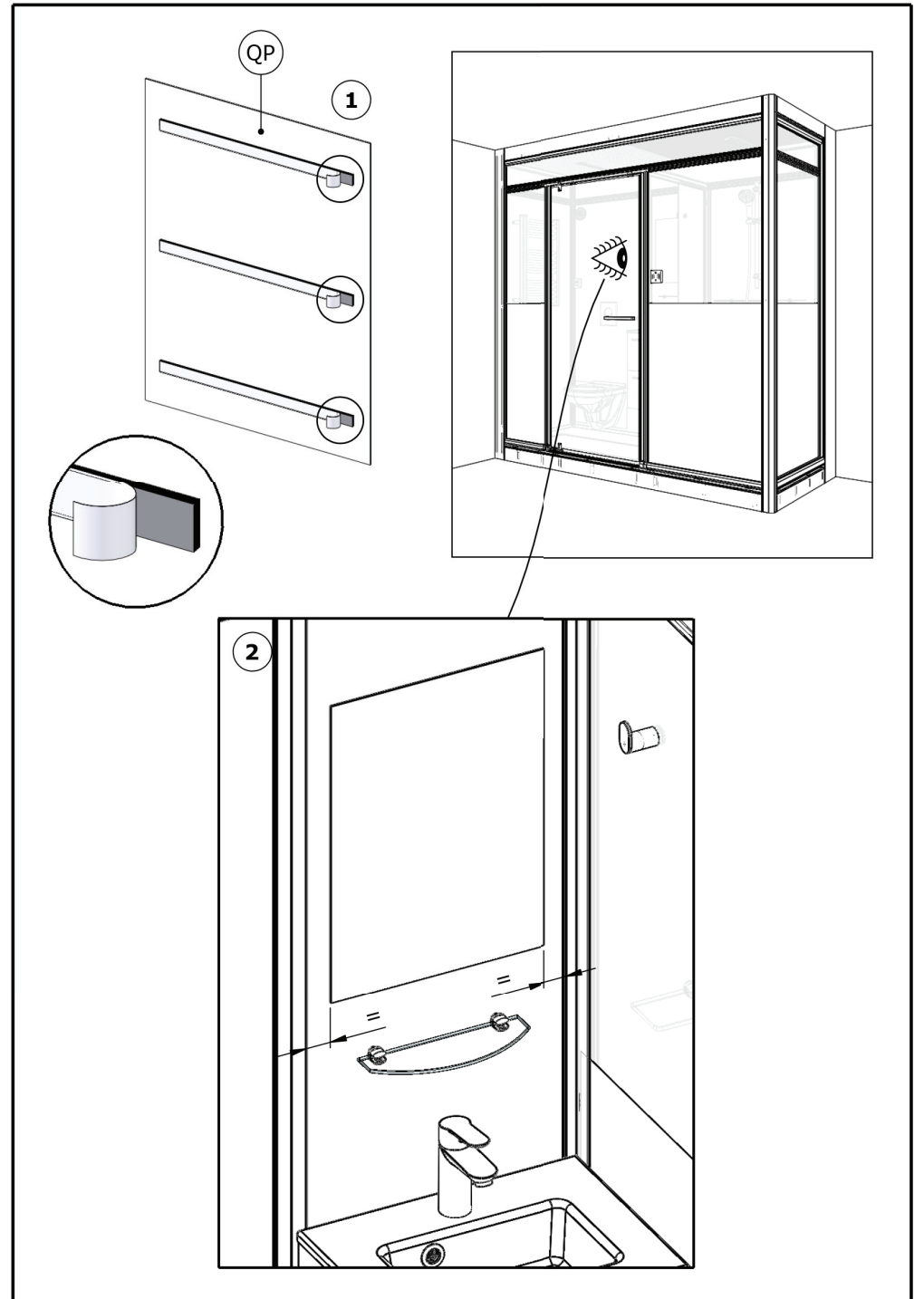
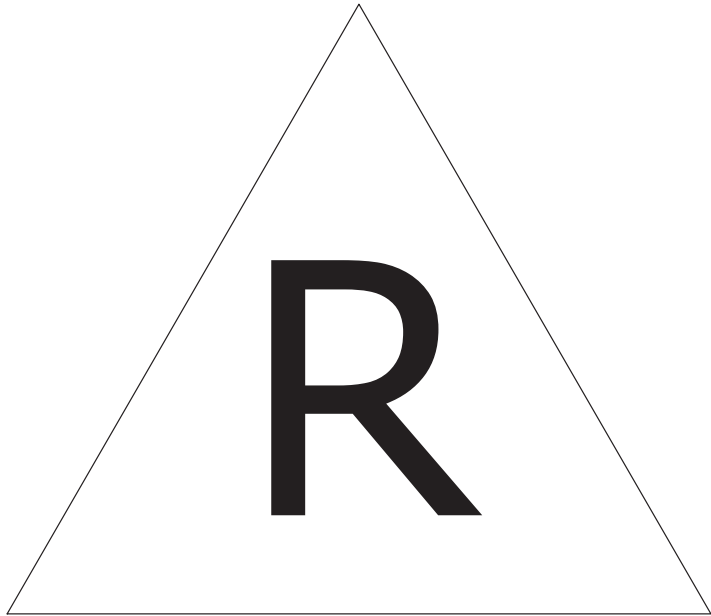


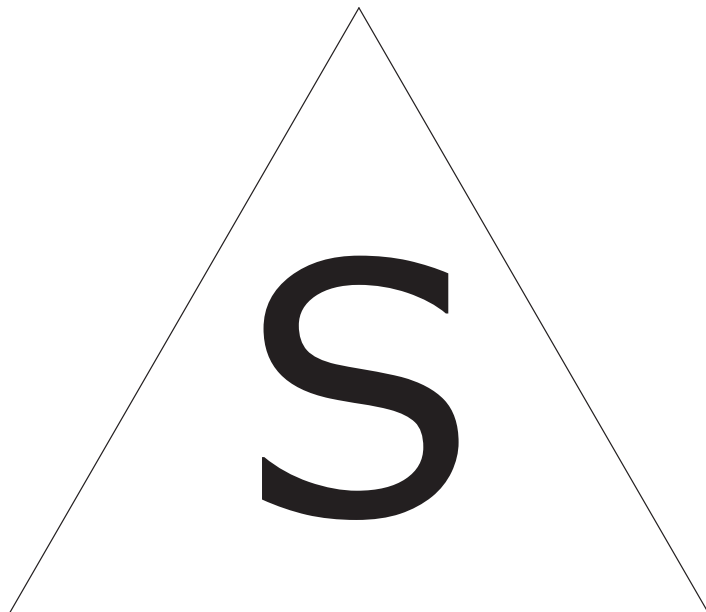










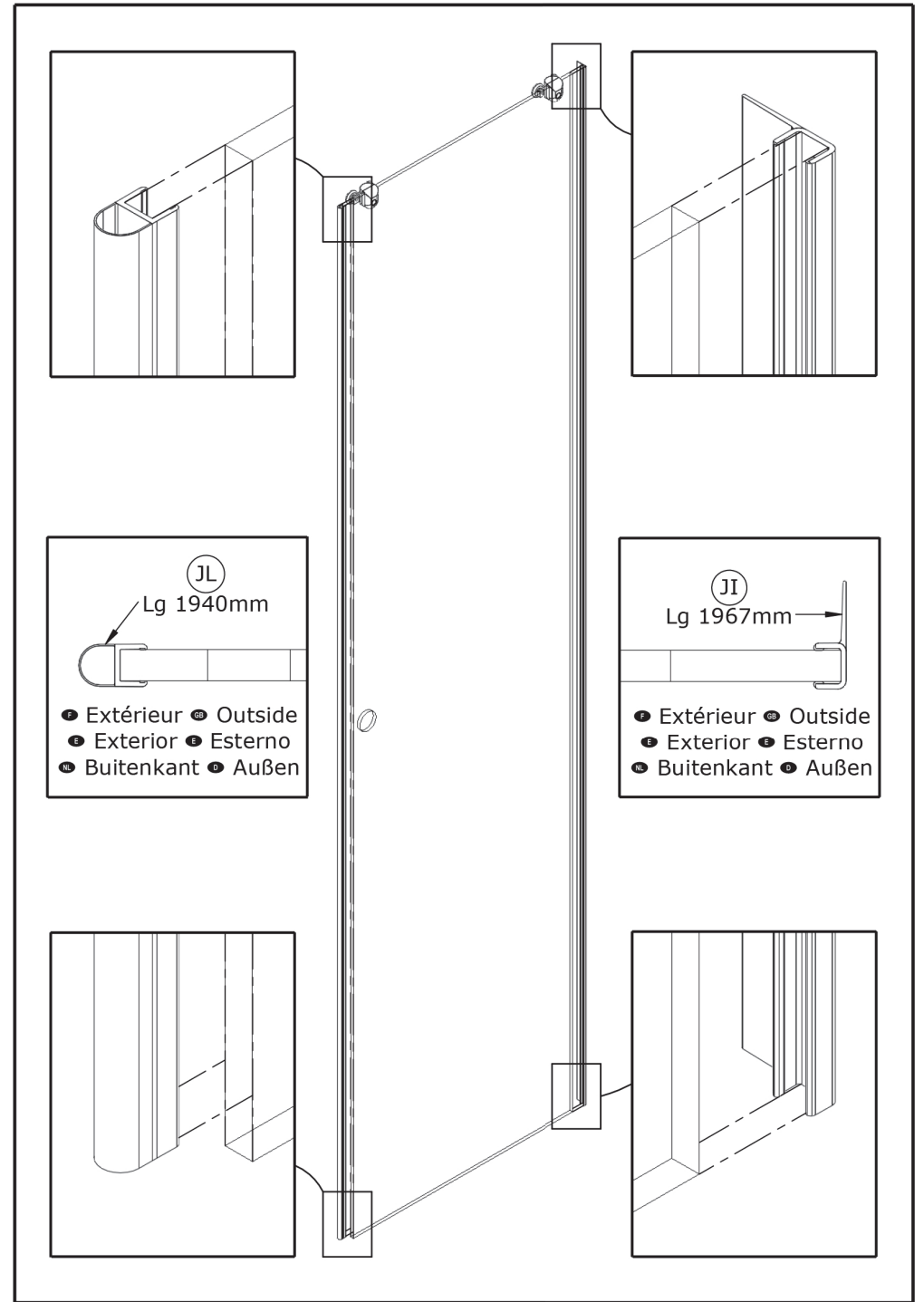
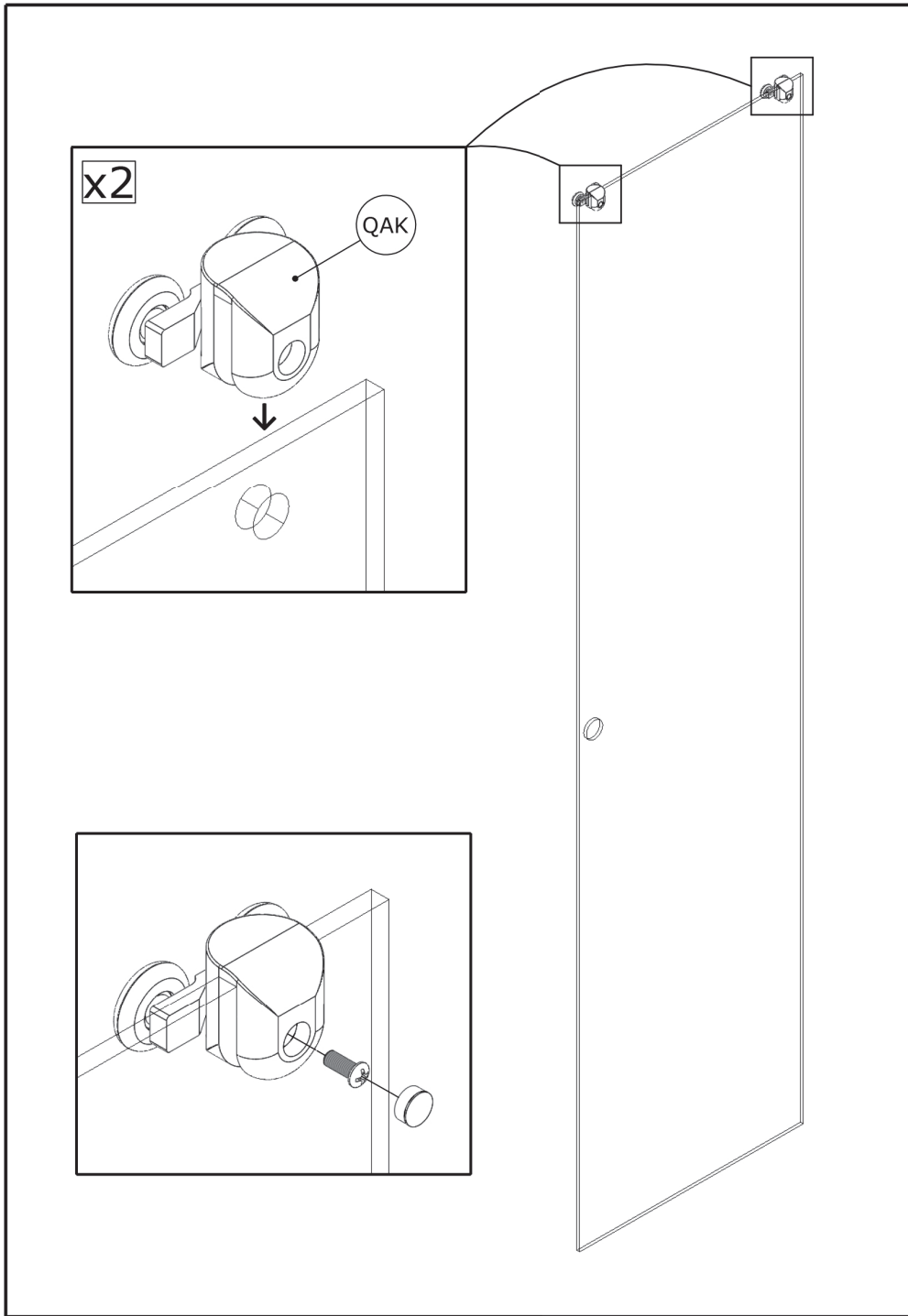


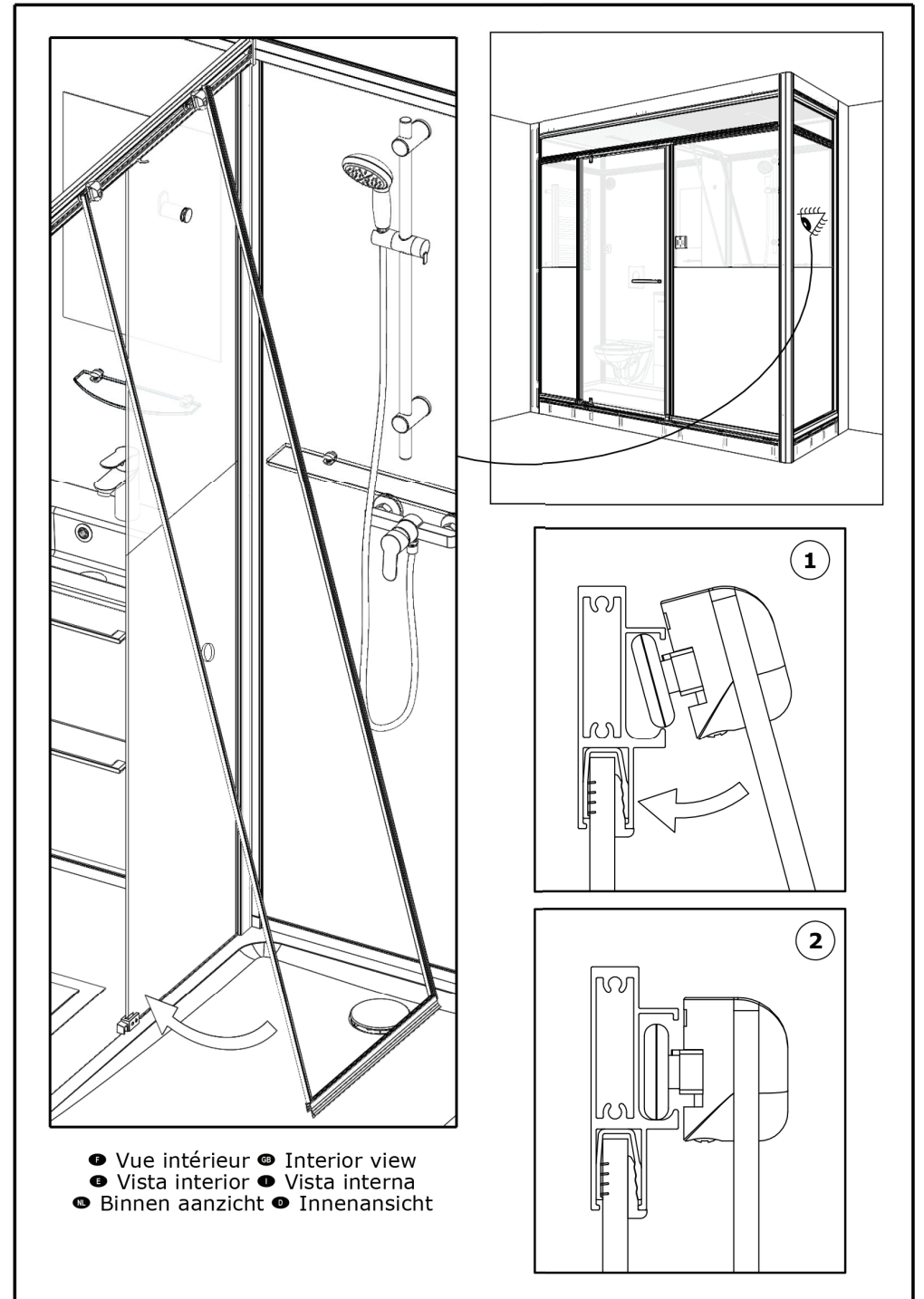
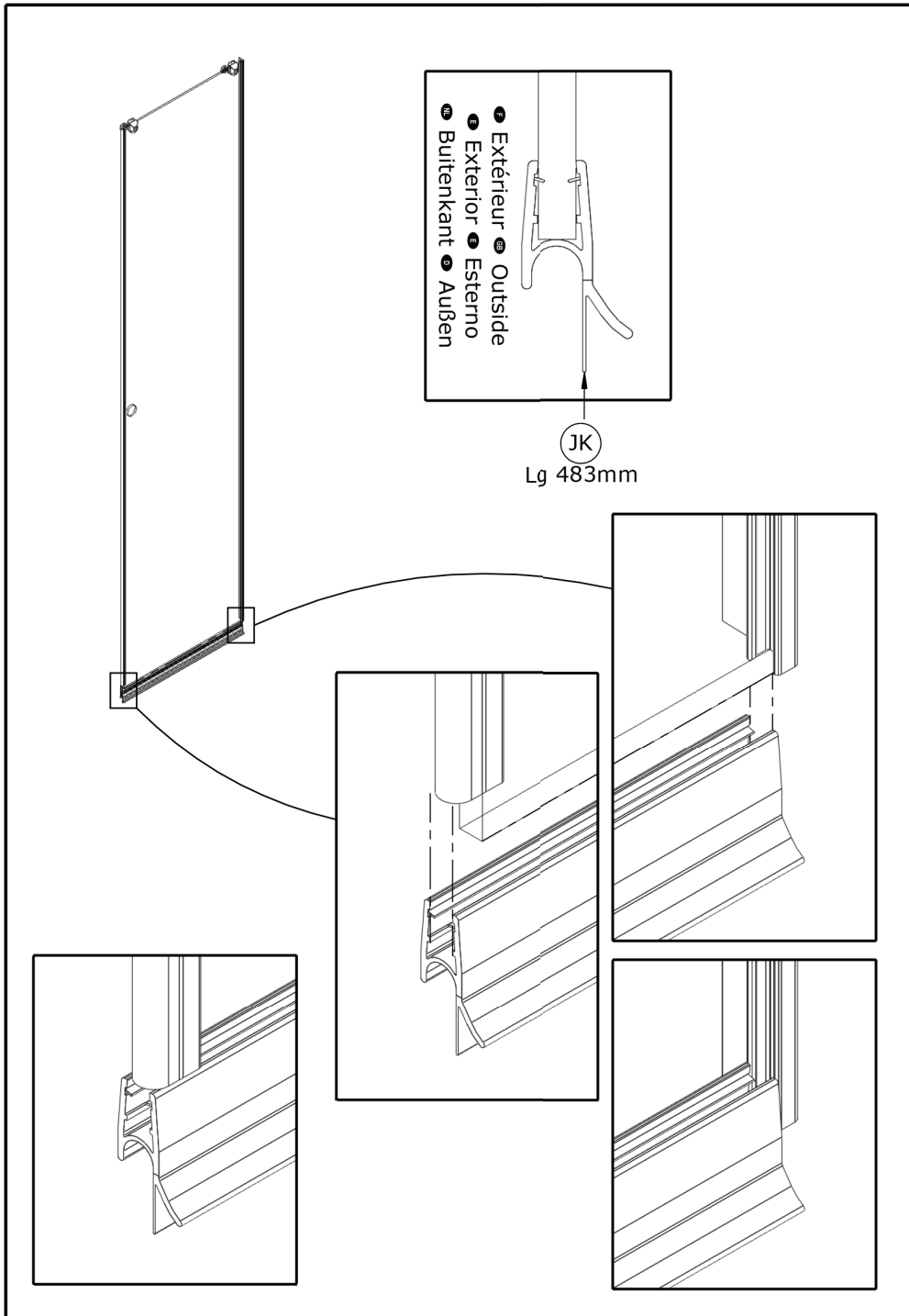
The diagram illustrates the installation of a window frame. It consists of several parts:

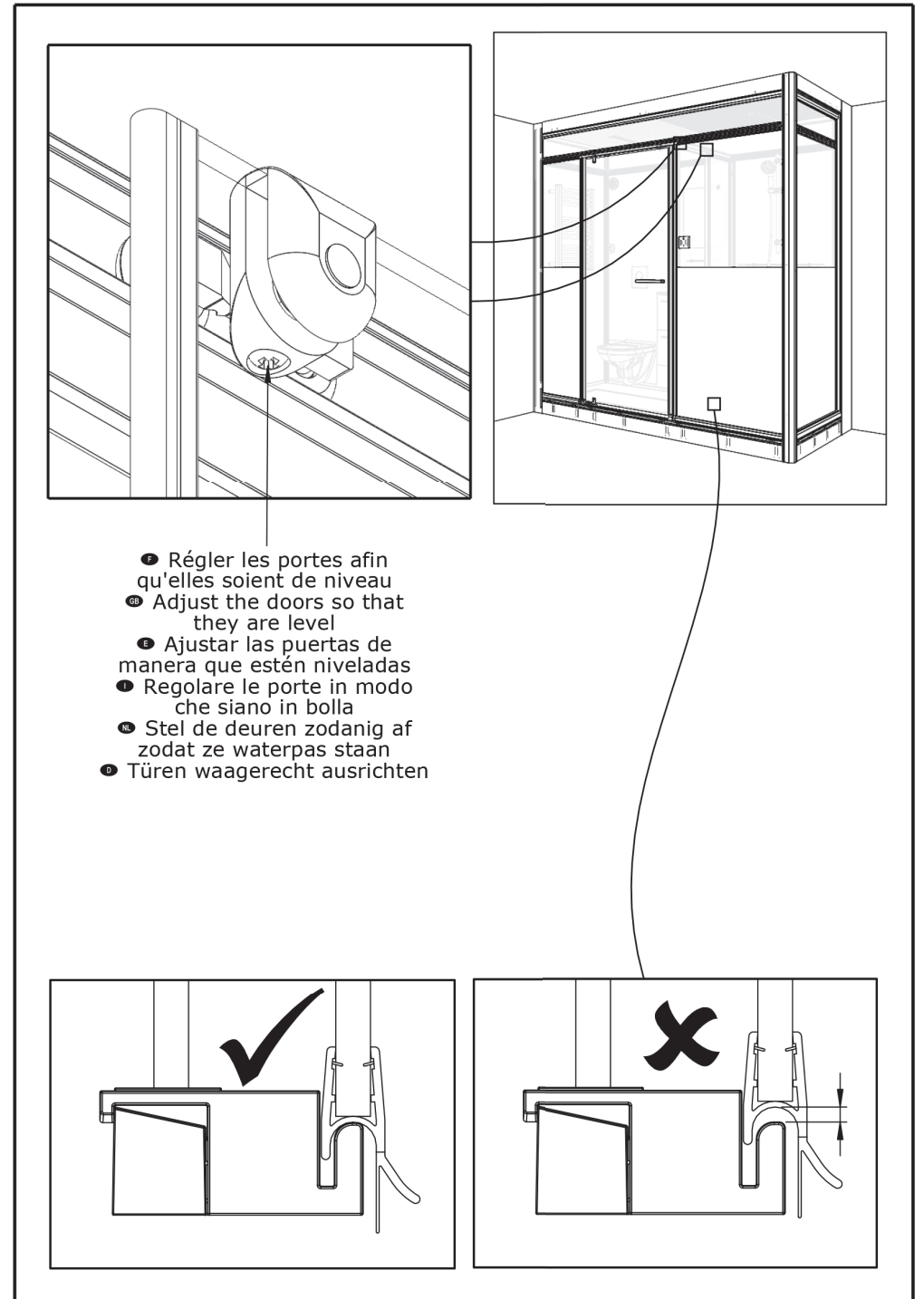
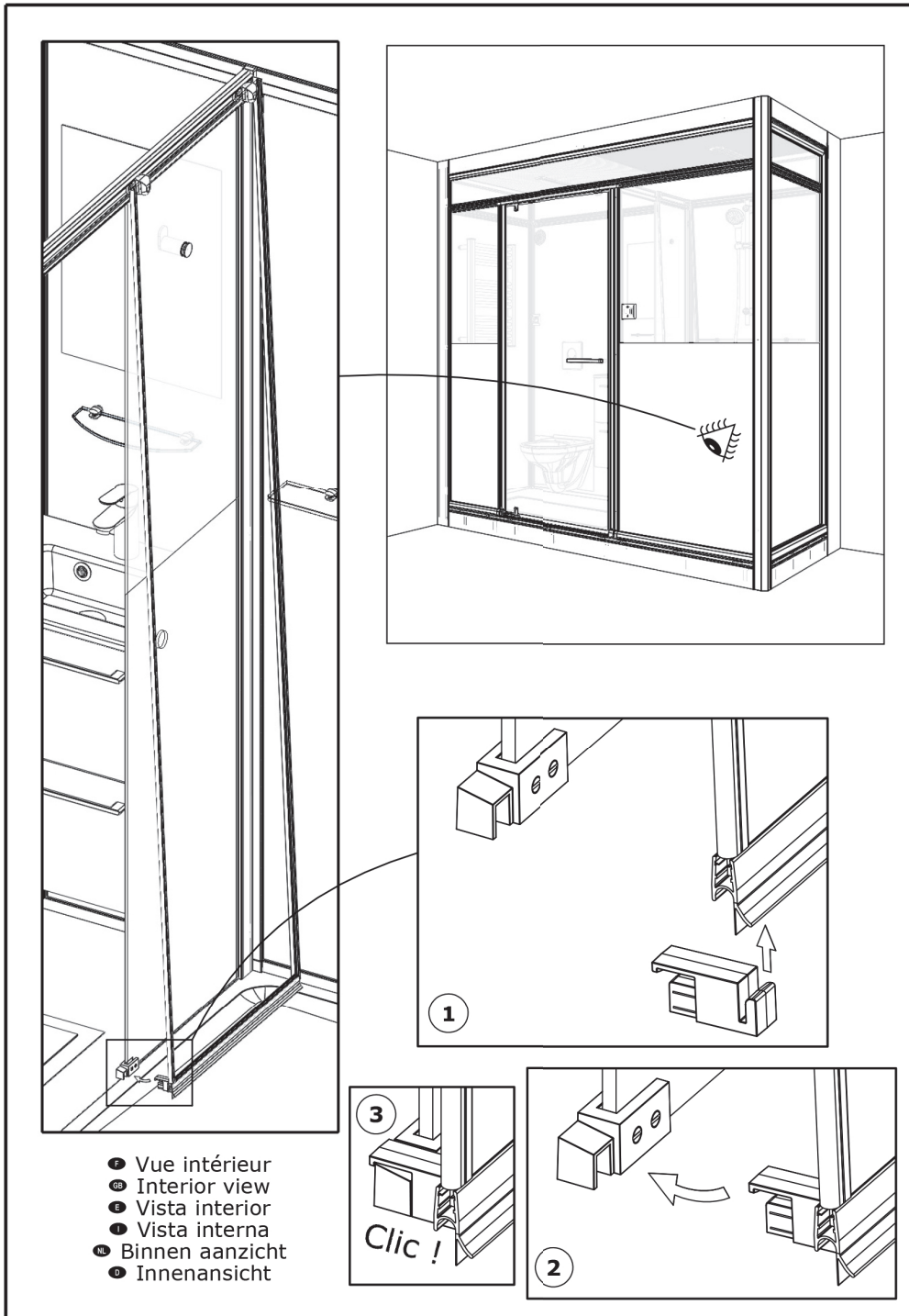
- Step 1:** Shows a cross-section of the window frame being inserted into a wall. A triangle with 'N' and a circle with 'SL' are shown next to it.
- Step 2:** Shows the frame being pushed further into the wall, with arrows indicating the direction of movement.
- Step 3:** Shows the frame fully seated in the wall.
- Step 4:** A detailed view of the frame's connection to the wall, showing two screws being inserted into the frame.
- Inset Image:** A perspective view of a window in a room, with an eye icon indicating the interior view.

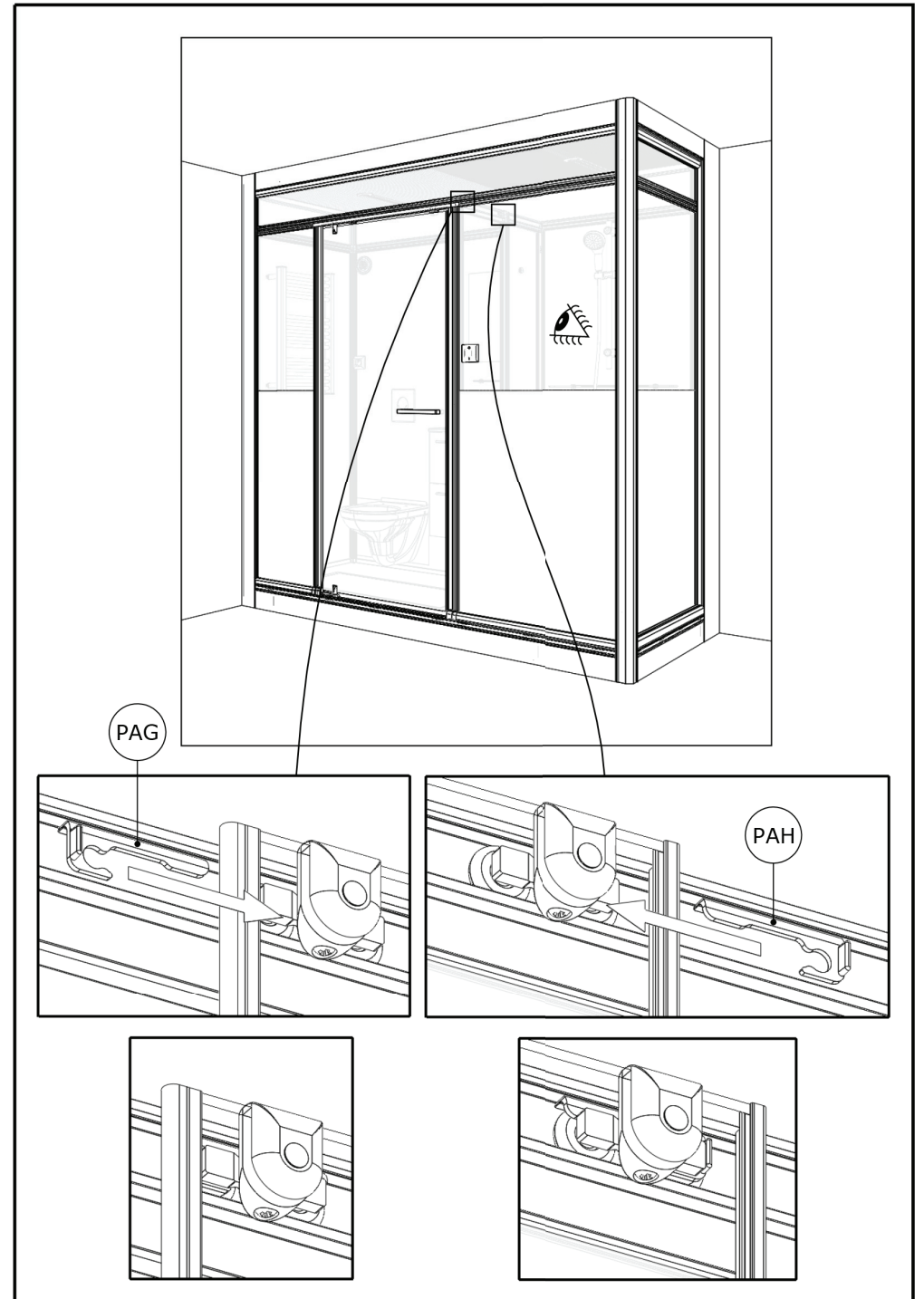
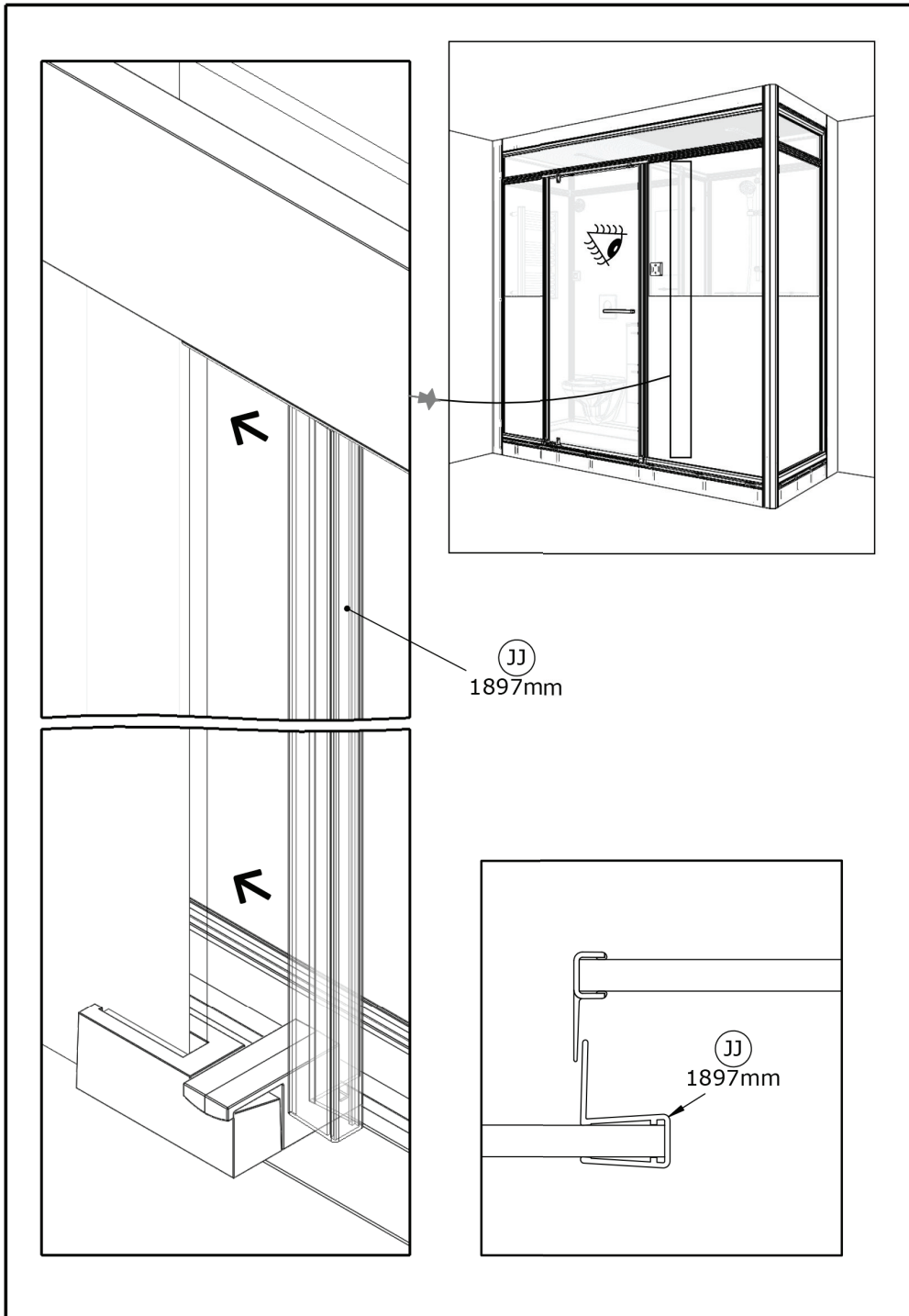
**Legend:**

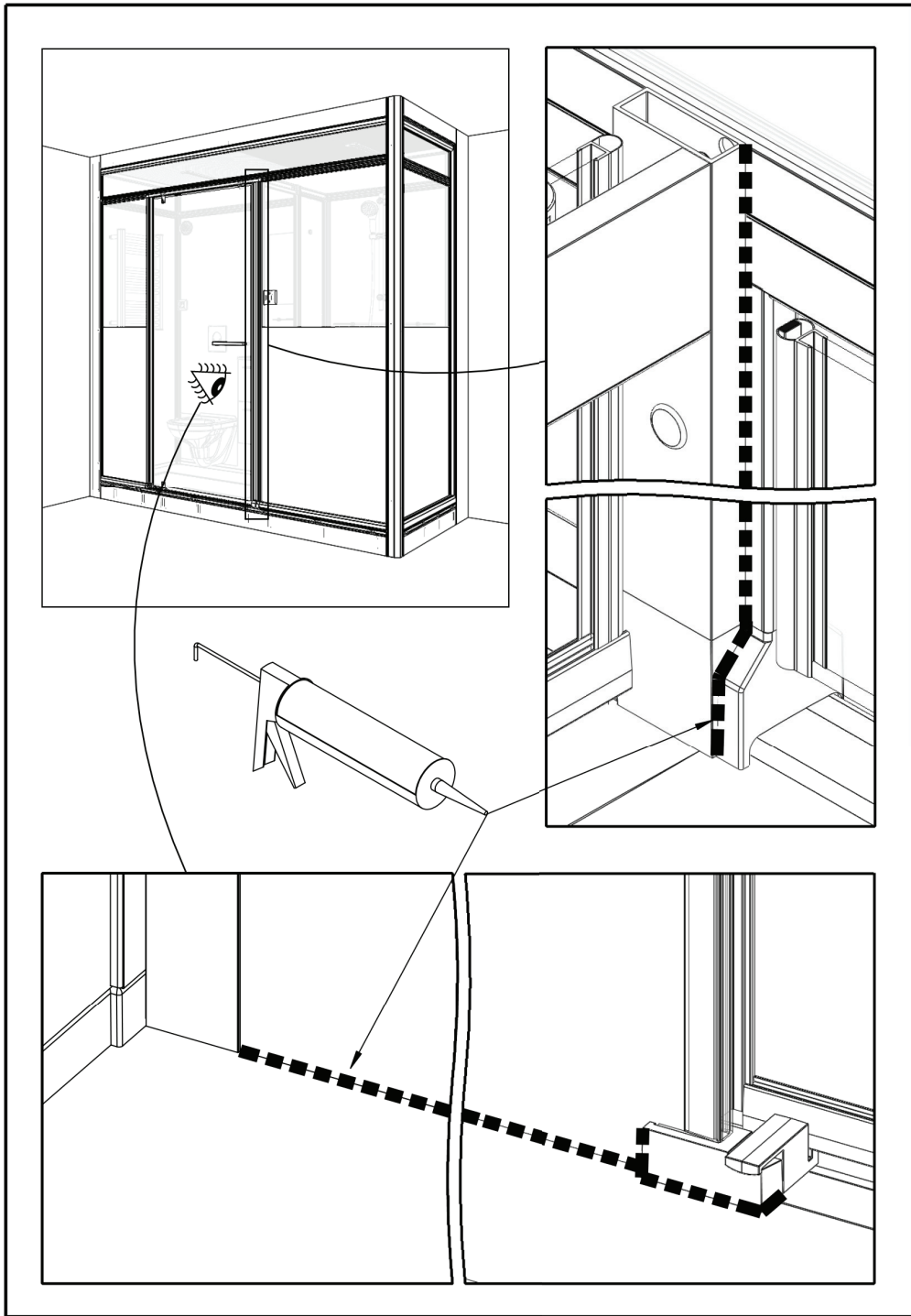
- F • Vue intérieur
- B • Interior view
- I • Vista interior
- V • Vista interna
- N • Binnen aanzicht
- D • Innenansicht



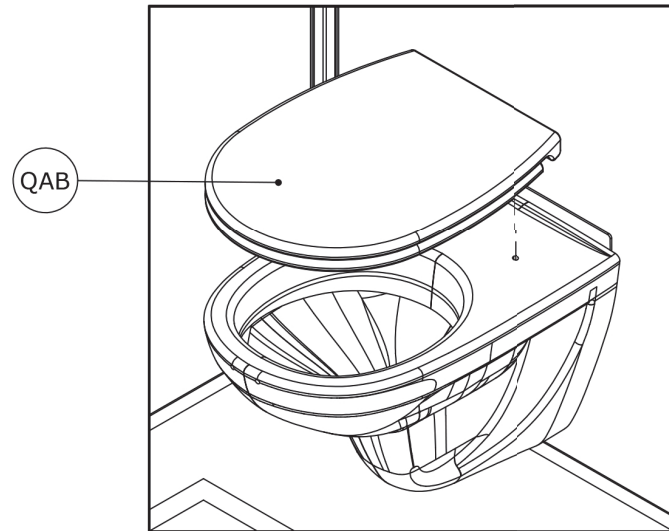
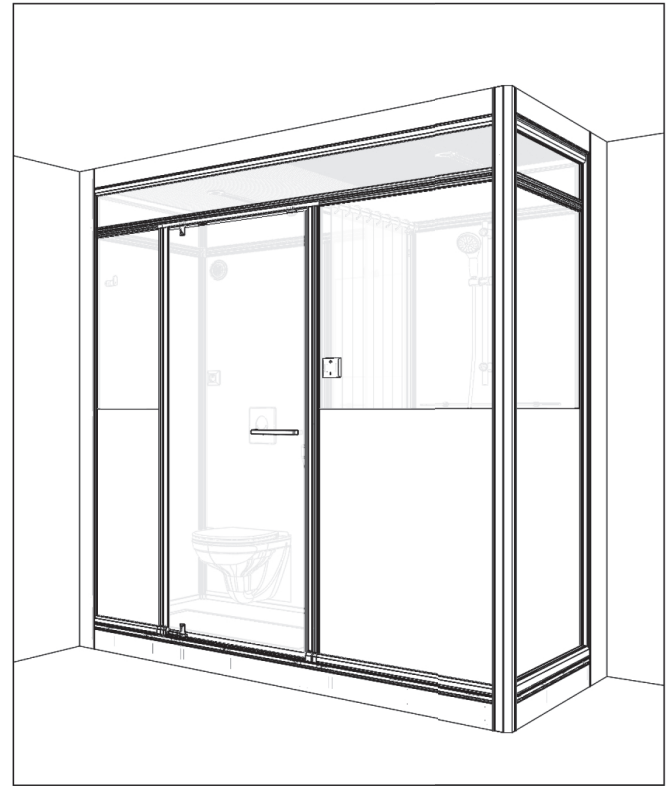
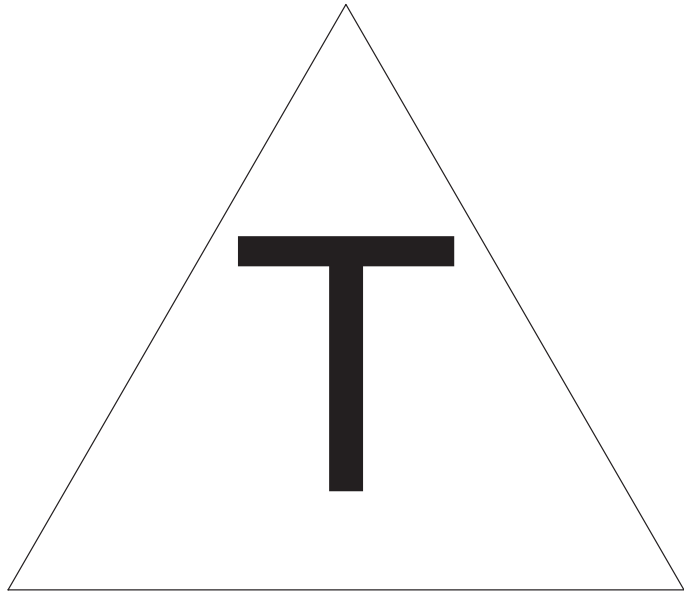














**SAV**  
**SERVICE HELPLINES**  
**ASSISTENZA POST-VENDITA**  
**SERVICIO POSTVENTA**

|  |                                       |
|--|---------------------------------------|
| <b>FRANCE</b><br>02 40 21 29 45              | <b>SCHWEIZ</b><br>(01) 748 17 44      |
| <b>UK</b><br>020 8842 0033                   | <b>ESPANA</b><br>93 544 60 76         |
| <b>IRELAND</b><br>04697 33102                | <b>NEDERLAND</b><br>+31 475 487 100   |
| <b>DEUTSCHLAND</b><br>+49 (0) 6074 / 30928 0 | <b>BELGIË</b><br>+31 475 487 100      |
| <b>ITALIA</b><br>(0382) 6181                 | <b>BELGIQUE</b><br>+31 475 487 100    |
| <b>ÖSTEREICH</b><br>+43 1 710 60 70          | <b>РОССИЯ</b><br>963 19 40, 773 67 22 |