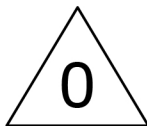
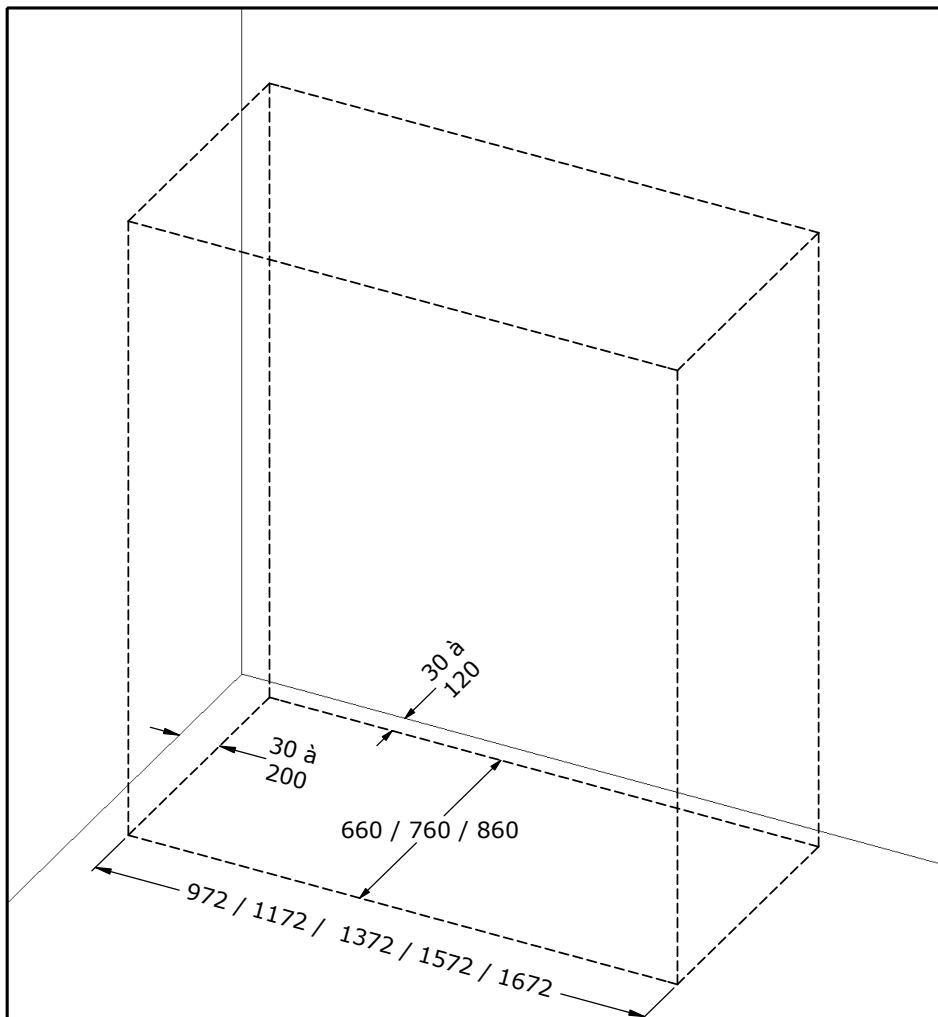


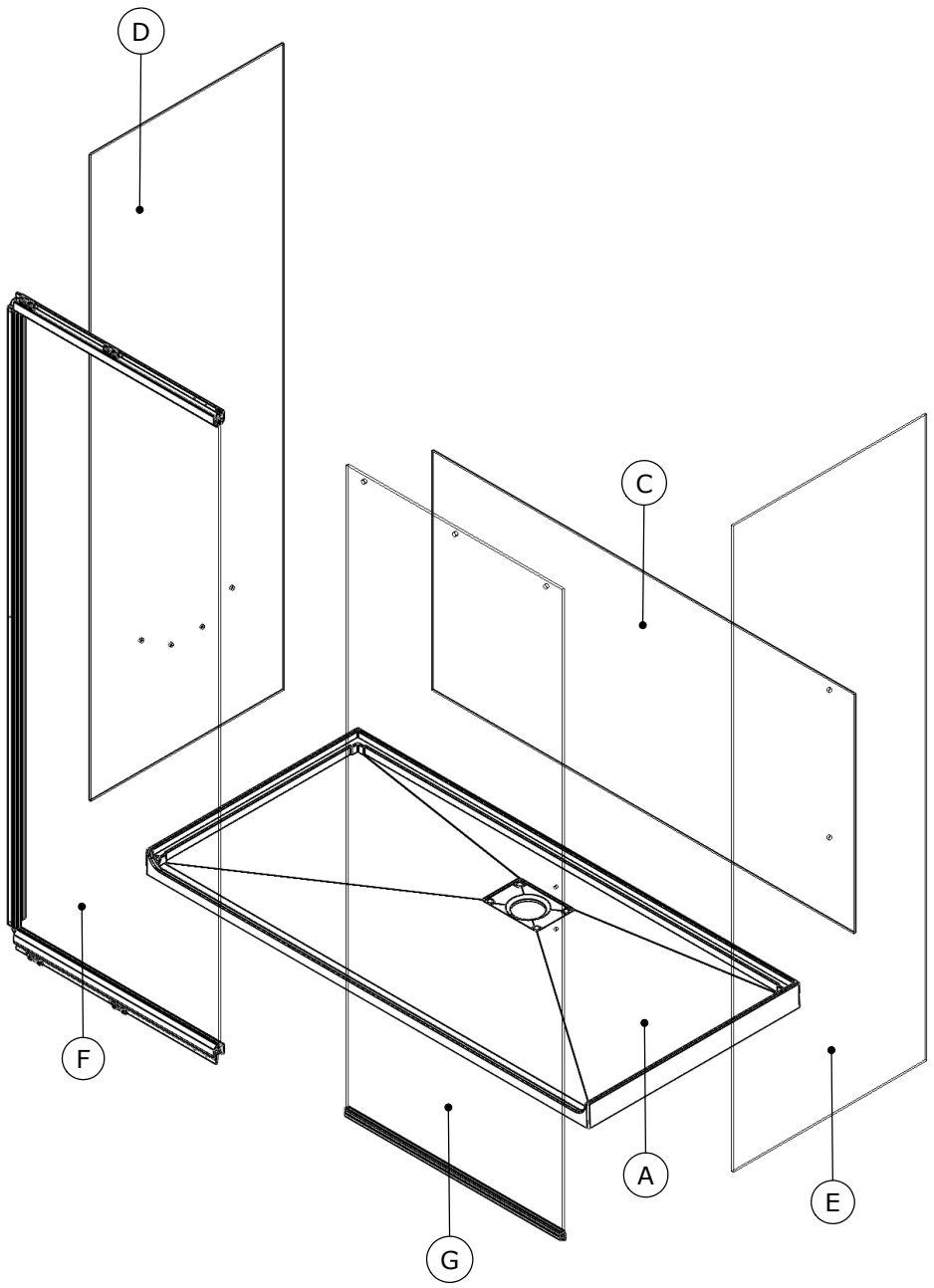
Notre service technique est
à votre écoute aux numéros
qui sont au dos de cette
notice d'installation



● Position de la cabine ● Position of the shower cubicle
 ● Posición de la cabina de ducha ● Posizione della cabina doccia
 ● Positie van de douchecabine ● Position der Duschkabine

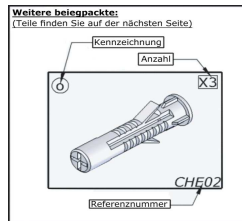
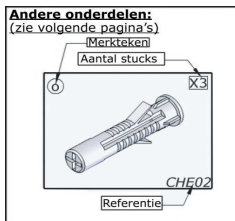
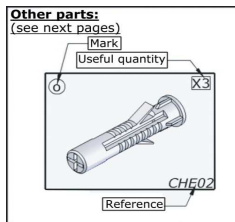
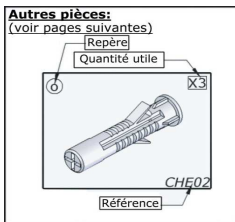


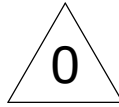
● Cotes en mm ● Dimensions in mm ● Cotas en mm
 ● Quote in mm ● Afmetingen in mm ● Maße sind in mm angegeben



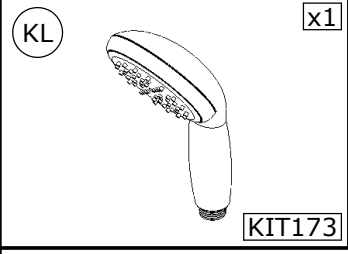
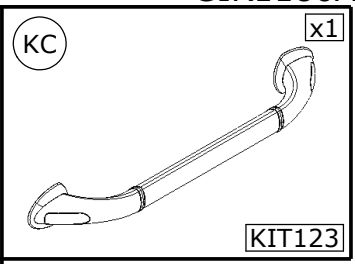
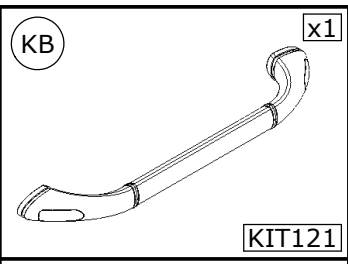
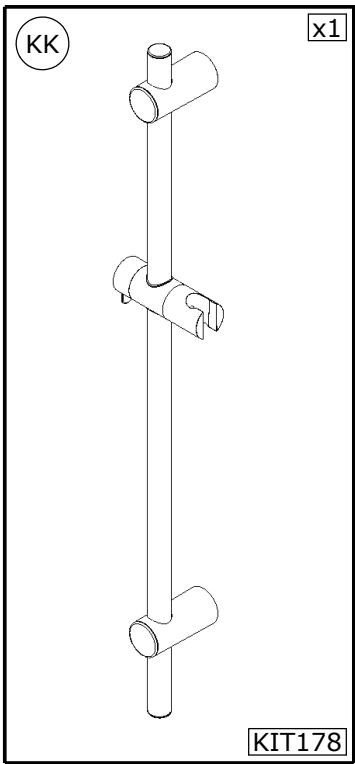
- CODE COLIS (Voir repères en page 4)
- PACKAGE CODES (See marks on page 4)
- REF. BULTOS (Ver pg. 4 para listado de bultos)
- CODE SET (zie blz. 4)
- Codering verpakking (zie omschrijving op pagina 4)
- PAKETCODES (siehe Kennzeichnungen auf Seite 4)

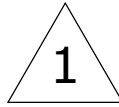
REP	VERSION	100 x 70	100 x 80	100 x 90	120 x 70	120 x 80	120 x 90	140 x 70	140 x 80	140 x 90	160 x 70	160 x 80	160 x 90	170 x 70	170 x 80	170 x 90	
A		RECS61	RECS62	RECS63	RECS64	RECS65	RECS66	RECS67	RECS68	RECS69	RECS70	RECS71	RECS72	RECS73	RECS74	RECS75	
C		C11422E			C11423E			C11424E			C11425E			C11426E			
D		C11444E	C11445E	C11446E	C11444E	C11445E	C11446E	C11444E	C11445E	C11446E	C11444E	C11445E	C11446E	C11444E	C11445E	C11446E	
E	SER	C11363E	C11364E	C11365E	C11363E	C11364E	C11365E	C11363E	C11364E	C11365E	C11363E	C11364E	C11365E	C11363E	C11364E	C11365E	
	TN	C11357E	C11358E	C11359E	C11357E	C11358E	C11359E	C11357E	C11358E	C11359E	C11357E	C11358E	C11359E	C11357E	C11358E	C11359E	
F	SER	CLT	C11374E			C11375E			C11376E			C11377E			C11378E		
		PVT/ SOLO	C11381E			C11382E			C11498E			C11496E			C11420E		
	TN	CLT	C11369E			C11370E			C11371E			C11372E			C11373E		
		PVT/ SOLO	C11379E			C11380E			C11497E			C11421E			C11419E		
G	SER	CLT	C11394E			C11395E			C11396E			C11397E			C11398E		
		PVT	C11401E			C11401E			X			X			X		
	TN	CLT	C11389E			C11390E			C119391E			C11392E			C11393E		
		PVT	C11399E			C11399E			X			X			X		





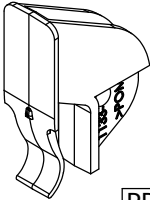
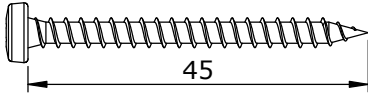
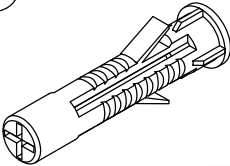
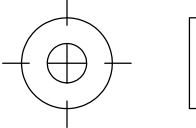
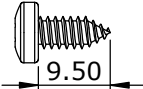
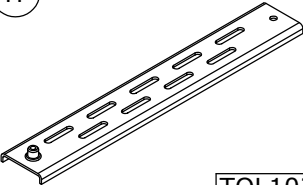
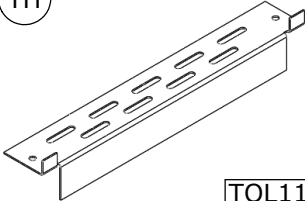
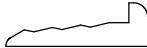
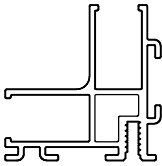
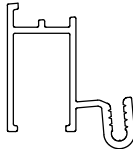
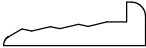
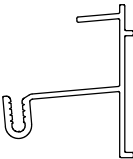
<p>SK</p> <ul style="list-style-type: none"> ● Montage gauche ● Left hand ● Montaje a la izquierda ● Montaggio a sinistra ● Montage links ● Montage links <p>SUP172</p>	<p>SL</p> <ul style="list-style-type: none"> ● Montage droite ● Right hand ● Montaje a la derecha ● Montaggio a destra ● Montage rechts ● Montage rechts <p>SUP173</p>	<p>PS</p> <p>PPL1116</p>
<p>SC</p> <ul style="list-style-type: none"> ● Montage gauche ● Left hand ● Montaje a la izquierda ● Montaggio a sinistra ● Montage links ● Montage links <p>SUP164</p>	<p>SD</p> <ul style="list-style-type: none"> ● Montage droite ● Right hand ● Montaje a la derecha ● Montaggio a destra ● Montage rechts ● Montage rechts <p>SUP165</p>	<p>PAT</p> <p>PPL1141</p>
<p>PG</p> <ul style="list-style-type: none"> ● Montage gauche ● Left hand ● Montaje a la izquierda ● Montaggio a sinistra ● Montage links ● Montage links <p>PPL1102</p>	<p>PH</p> <ul style="list-style-type: none"> ● Montage droite ● Right hand ● Montaje a la derecha ● Montaggio a destra ● Montage rechts ● Montage rechts <p>PPL1103</p>	<p>PU</p> <p>PPL1118</p>
<p>PAB</p> <ul style="list-style-type: none"> ● Montage gauche ● Left hand ● Montaje a la izquierda ● Montaggio a sinistra ● Montage links ● Montage links <p>PPL1134</p>	<p>PAC</p> <ul style="list-style-type: none"> ● Montage droite ● Right hand ● Montaje a la derecha ● Montaggio a destra ● Montage rechts ● Montage rechts <p>PPL1135</p>	<p>PAO</p> <p>SET119</p>
<p>QG</p> <p>TUY60</p>	<p>QH</p> <p>TUY61</p>	<p>QJ</p> <p>FLEX05</p>





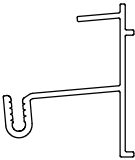
<p>PA 120/140/160/170 x11 100 x9</p> <p>PPL802</p>	<p>PB 120/140/160/170 x11 100 x9</p> <p>PPL804</p>	<p>QA x1</p> <p>BOND28</p>
<p>TA x1</p> <p>TOL11</p>	<p>VN Ø4 x13</p> <p>45</p> <p>1=1 VIS231</p>	
<p>VA x13</p> <p>CHE02</p>	<p>VV x13</p> <p>RON34</p>	<p>VS x2</p> <p>EQU78</p>
<p>VT x2</p> <p>SET111</p>	<p>VR M4 x8</p> <p>12</p> <p>1=1 VIS239</p>	
<p>AV x2</p> <p>Lg=1890mm 6211-01</p>	<p>AW x1</p> <p>Lg=1940mm 6210-01</p>	

2

<p>(PAA)  x3</p> <p style="text-align: right;">PPL1133</p>	<p>(VN)  Ø4 x5</p> <p style="text-align: center;">45</p> <p style="text-align: center;">1=1</p> <p style="text-align: right;">VIS231</p>																								
<p>(VA)  x5</p> <p style="text-align: right;">CHE02</p>	<p>(VV)  x5</p> <p style="text-align: right;">RON34</p>	<p>(VQ)  Ø4.2 x8</p> <p style="text-align: center;">9.50</p> <p style="text-align: center;">1=1</p> <p style="text-align: right;">VIS238</p>																							
<p>(TF)  x3</p> <p style="text-align: right;">TOL103</p>	<p>(TH)  x2</p> <p style="text-align: right;">TOL113</p>	<p>(JG)  x2</p> <p style="text-align: right;">Lg=1971mm</p> <p style="text-align: right;">P101</p>																							
<p>(AA)  x2</p> <p style="text-align: right;">Lg=1972mm</p> <p style="text-align: right;">6189-01</p>	<p>(AY)  x1</p> <table border="1" style="width: 100%; border-collapse: collapse;"> <thead> <tr> <th colspan="2" style="text-align: center;">6200</th> </tr> <tr> <th style="text-align: center;">● Longueur</th> <th style="text-align: center;">● Length</th> <th style="text-align: center;">● Largo</th> </tr> <tr> <th style="text-align: center;">● Lunghezza</th> <th style="text-align: center;">● Lengte</th> <th style="text-align: center;">● Länge</th> </tr> </thead> <tbody> <tr> <td style="text-align: center;">100</td> <td></td> <td style="text-align: center;">Lg=855mm</td> </tr> <tr> <td style="text-align: center;">120</td> <td></td> <td style="text-align: center;">Lg=1053mm</td> </tr> <tr> <td style="text-align: center;">140</td> <td></td> <td style="text-align: center;">Lg=1253mm</td> </tr> <tr> <td style="text-align: center;">160</td> <td></td> <td style="text-align: center;">Lg=1453mm</td> </tr> <tr> <td style="text-align: center;">170</td> <td></td> <td style="text-align: center;">Lg=1553mm</td> </tr> </tbody> </table>		6200		● Longueur	● Length	● Largo	● Lunghezza	● Lengte	● Länge	100		Lg=855mm	120		Lg=1053mm	140		Lg=1253mm	160		Lg=1453mm	170		Lg=1553mm
6200																									
● Longueur	● Length	● Largo																							
● Lunghezza	● Lengte	● Länge																							
100		Lg=855mm																							
120		Lg=1053mm																							
140		Lg=1253mm																							
160		Lg=1453mm																							
170		Lg=1553mm																							
<p>(JK)  x2</p> <p style="text-align: right;">Lg=709mm</p> <p style="text-align: right;">P108</p>	<p>(AS)  x1</p> <table border="1" style="width: 100%; border-collapse: collapse;"> <thead> <tr> <th colspan="2" style="text-align: center;">6209</th> </tr> <tr> <th style="text-align: center;">● Longueur</th> <th style="text-align: center;">● Length</th> <th style="text-align: center;">● Largo</th> </tr> <tr> <th style="text-align: center;">● Lunghezza</th> <th style="text-align: center;">● Lengte</th> <th style="text-align: center;">● Länge</th> </tr> </thead> <tbody> <tr> <td style="text-align: center;">100</td> <td></td> <td style="text-align: center;">Lg=835mm</td> </tr> <tr> <td style="text-align: center;">120</td> <td></td> <td style="text-align: center;">Lg=1035mm</td> </tr> <tr> <td style="text-align: center;">140</td> <td></td> <td style="text-align: center;">Lg=1235mm</td> </tr> <tr> <td style="text-align: center;">160</td> <td></td> <td style="text-align: center;">Lg=1435mm</td> </tr> <tr> <td style="text-align: center;">170</td> <td></td> <td style="text-align: center;">Lg=1535mm</td> </tr> </tbody> </table>		6209		● Longueur	● Length	● Largo	● Lunghezza	● Lengte	● Länge	100		Lg=835mm	120		Lg=1035mm	140		Lg=1235mm	160		Lg=1435mm	170		Lg=1535mm
6209																									
● Longueur	● Length	● Largo																							
● Lunghezza	● Lengte	● Länge																							
100		Lg=835mm																							
120		Lg=1035mm																							
140		Lg=1235mm																							
160		Lg=1435mm																							
170		Lg=1535mm																							

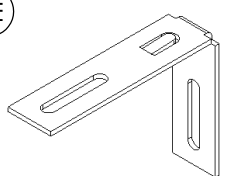
GIR1180AG

AT x1



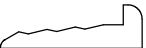
6209	
● Largeur ● Width ● Ancho	● Larghezza ● Breedte ● Breite
70	Lg=635mm
80	Lg=735mm
90	Lg=835mm

TE x2



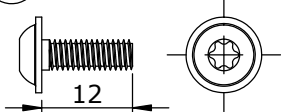
TOL102

VR x1



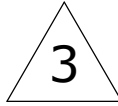
PFL77	
● Longueur ● Length ● Largo	● Lunghezza ● Lengte ● Länge
100	Lg=853mm
120	Lg=1051mm
140	Lg=1251mm
160	Lg=1451mm
170	Lg=1551mm

VR M4 x2



12

1=1 **VIS239**

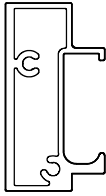


<p>(VQ) Ø4.2 x3</p> <p>9.50</p> <p>1=1 VIS238</p>	<p>(JG) x1</p> <p>Lg=1971mm P101</p>	<p>(AC) x1</p> <p>Lg=1944mm 6192-01</p>																	
<p>(AP) x1</p> <p>Lg=1952mm 6205-01</p>	<p>(AI) x1</p> <table border="1" style="margin-left: auto; margin-right: auto; border-collapse: collapse;"> <thead> <tr> <th colspan="2" style="text-align: center;">6198</th> </tr> <tr> <th style="text-align: center;">● Largeur</th> <th style="text-align: center;">● Width</th> <th style="text-align: center;">● Ancho</th> </tr> <tr> <th style="text-align: center;">● Larghezza</th> <th style="text-align: center;">● Breedte</th> <th style="text-align: center;">● Breite</th> </tr> </thead> <tbody> <tr> <td style="text-align: center;">70</td> <td colspan="2" style="text-align: center;">Lg=567mm</td> </tr> <tr> <td style="text-align: center;">80</td> <td colspan="2" style="text-align: center;">Lg=667mm</td> </tr> <tr> <td style="text-align: center;">90</td> <td colspan="2" style="text-align: center;">Lg=767mm</td> </tr> </tbody> </table>		6198		● Largeur	● Width	● Ancho	● Larghezza	● Breedte	● Breite	70	Lg=567mm		80	Lg=667mm		90	Lg=767mm	
6198																			
● Largeur	● Width	● Ancho																	
● Larghezza	● Breedte	● Breite																	
70	Lg=567mm																		
80	Lg=667mm																		
90	Lg=767mm																		



<p>SA</p> <ul style="list-style-type: none"> ● Montage gauche ● Left hand ● Montaje a la izquierda ● Montaggio a sinistra ● Montage links ● Montage links <p>SET107</p>	<p>SB</p> <ul style="list-style-type: none"> ● Montage droite ● Right hand ● Montaje a la derecha ● Montaggio a destra ● Montage rechts ● Montage rechts <p>SET108</p>	<p>VM</p> <p>CLT/RID x8 SOLO x9</p> <p>1=1 VIS215</p>
<p>PI</p> <ul style="list-style-type: none"> ● Montage gauche ● Left hand ● Montaje a la izquierda ● Montaggio a sinistra ● Montage links ● Montage links <p>PPL1104</p>	<p>PJ</p> <ul style="list-style-type: none"> ● Montage droite ● Right hand ● Montaje a la derecha ● Montaggio a destra ● Montage rechts ● Montage rechts <p>PPL1105</p>	<p>PAA</p> <p>PPL1133</p>
<p>SI</p> <ul style="list-style-type: none"> ● Montage gauche ● Left hand ● Montaje a la izquierda ● Montaggio a sinistra ● Montage links ● Montage links <p>SUP170</p>	<p>SJ</p> <ul style="list-style-type: none"> ● Montage droite ● Right hand ● Montaje a la derecha ● Montaggio a destra ● Montage rechts ● Montage rechts <p>SUP171</p>	<p>JG</p> <p>Lg=1971mm P101</p>
<p>PK</p> <ul style="list-style-type: none"> ● Montage gauche ● Left hand ● Montaje a la izquierda ● Montaggio a sinistra ● Montage links ● Montage links <p>PPL1106</p>	<p>PL</p> <ul style="list-style-type: none"> ● Montage droite ● Right hand ● Montaje a la derecha ● Montaggio a destra ● Montage rechts ● Montage rechts <p>PPL1107</p>	<p>QC</p> <p>BUT22</p>
<p>PV</p> <ul style="list-style-type: none"> ● Montage gauche ● Left hand ● Montaje a la izquierda ● Montaggio a sinistra ● Montage links ● Montage links <p>SOLO x1 CLT x0</p> <p>PPL1126</p>	<p>PW</p> <ul style="list-style-type: none"> ● Montage droite ● Right hand ● Montaje a la derecha ● Montaggio a destra ● Montage rechts ● Montage rechts <p>SOLO x1 CLT x0</p> <p>PPL1127</p>	<p>VP</p> <p>Ø3.5 x3</p> <p>1=1 VIS237</p>

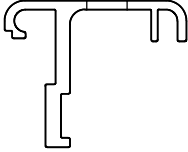
AG



x1

6196	
● Longueur ● Length ● Largo ● Lunghezza ● Lengte ● Länge	
100	Lg=880mm
120	Lg=1080mm
140	Lg=1280mm
160	Lg=1480mm
170	Lg=1580mm

AD



x1

6194		
● Longueur ● Length ● Largo ● Lunghezza ● Lengte ● Länge	CLT	SOLO / 2P
100	Lg=456mm	-
120	Lg=556mm	-
140	Lg=656mm	Lg=506mm
160	Lg=756mm	Lg=606mm
170	Lg=806mm	Lg=706mm

AJ



x1

6199		
● Longueur ● Length ● Largo ● Lunghezza ● Lengte ● Länge	CLT	SOLO / 2P
100	Lg=401mm	-
120	Lg=501mm	-
140	Lg=601mm	Lg=751mm
160	Lg=701mm	Lg=851mm
170	Lg=751mm	Lg=851mm

AQ

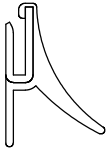
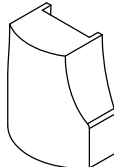
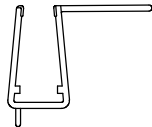
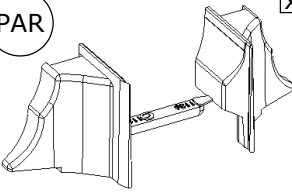
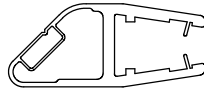
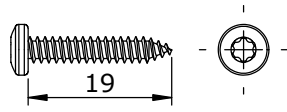
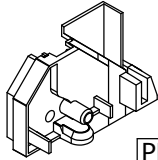
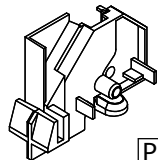
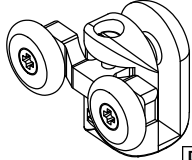
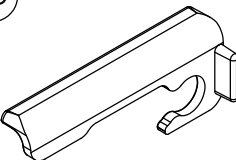
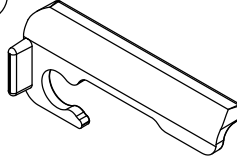
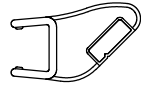
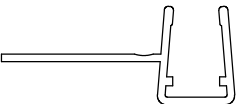
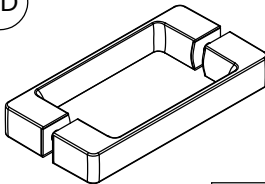


x2

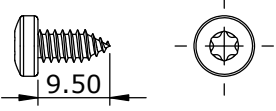
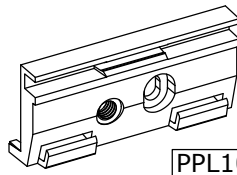
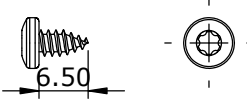
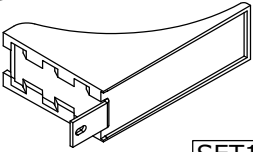
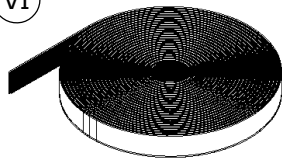
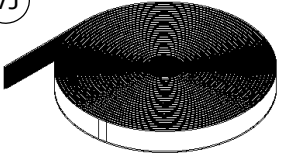
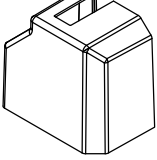
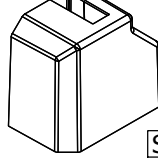
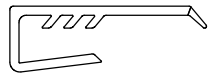
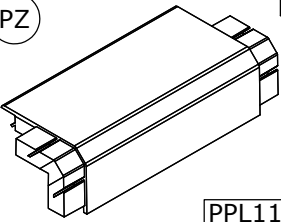
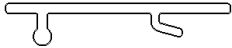
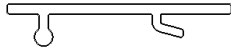
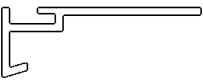
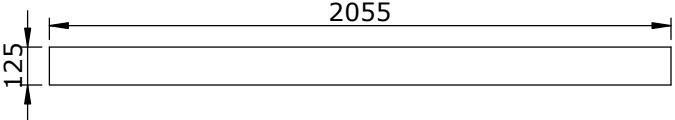
Lg=300mm

6206-01

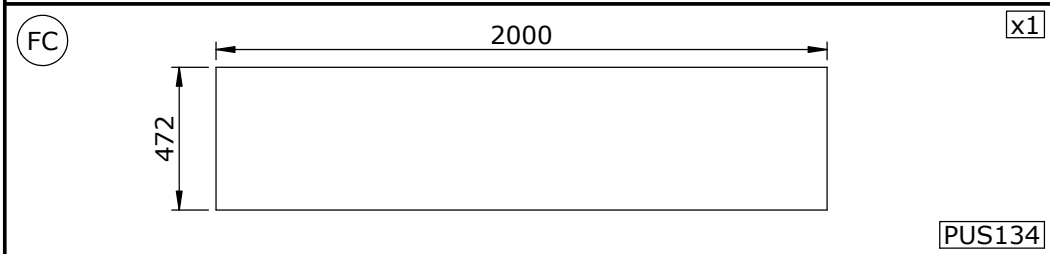
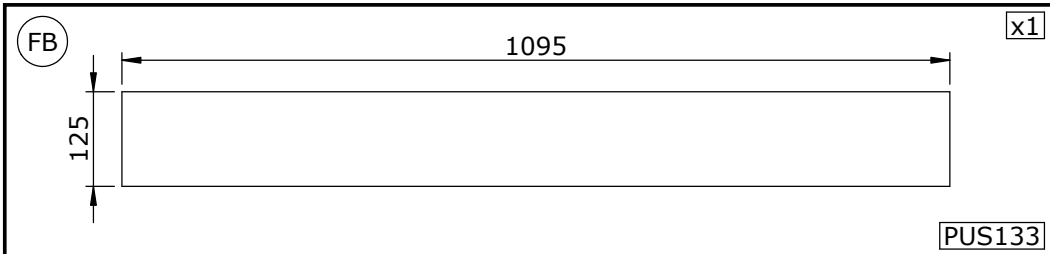
5

<p>JE x1</p>  <p>Lg=820mm JOI239</p>	<p>PC x1</p>  <p>PPL823</p>	<p>JC x1</p>  <p>Lg=1882mm J723</p>
<p>PAR x1</p>  <p>PPL1136/1137</p>	<p>JB x1</p>  <p>Lg=1959mm AI150</p>	<p>VM Ø3.5 x1</p>  <p>1=1 VIS215</p>
<p>PO x1</p> <ul style="list-style-type: none"> ● Montage gauche ● Left hand ● Montaje a la izquierda ● Montaggio a sinistra ● Montage links ● Montage links  <p>PPL1110</p>	<p>PP x1</p> <ul style="list-style-type: none"> ● Montage droite ● Right hand ● Montaje a la derecha ● Montaggio a destra ● Montage rechts ● Montage rechts  <p>PPL1111</p>	<p>QE 140/160/170 x3 100/120 x2</p>  <p>ROU37</p>
<p>PD x1</p>  <p>PPL1080</p>	<p>PE x1</p>  <p>PPL1081</p>	<p>JA x1</p>  <p>AIM36</p>
<p>JD x1</p>  <p>Lg=1894mm J719</p>	<p>QD x1</p>  <p>PGN36</p>	

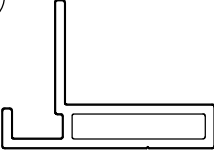
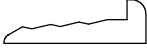
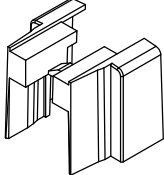
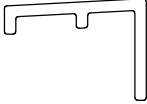
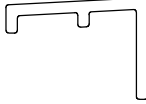
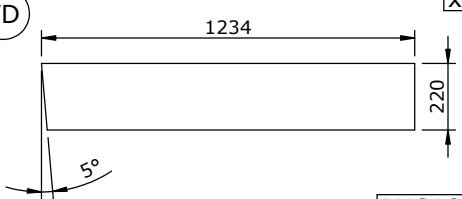
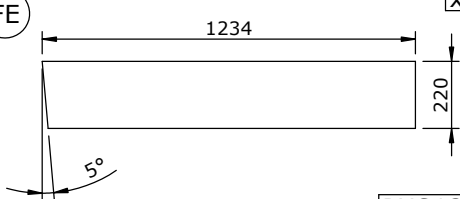
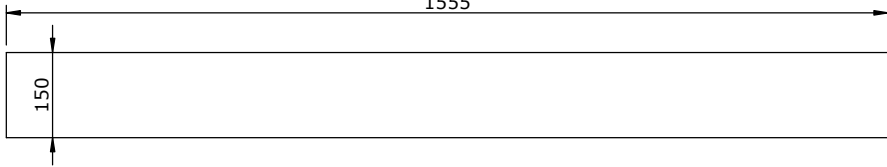
6

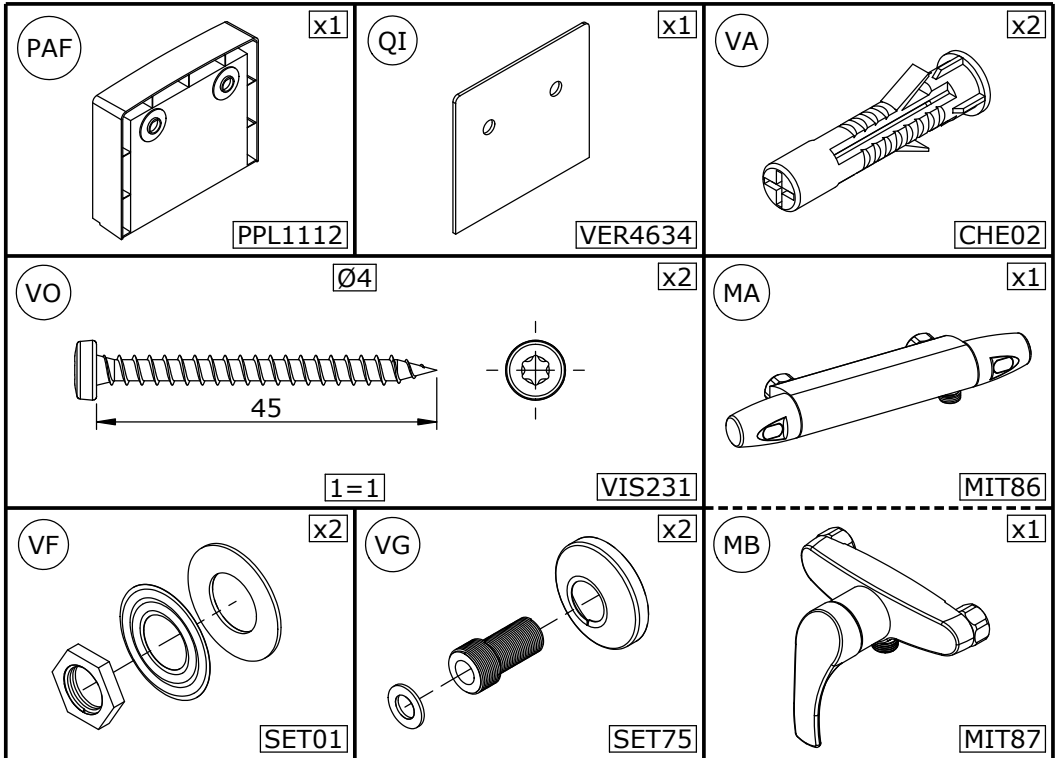
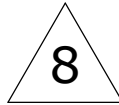
<p>VQ $\varnothing 3.5$ x6</p>  <p>9.50</p> <p>1=1 VIS238</p>	<p>PF 140/160/170 x4 100/120 x3</p>  <p>PPL1099</p>	<p>VO $\varnothing 3.5$ x12</p>  <p>6.50</p> <p>1=1 VIS234</p>
<p>PAK 140/160/170 x8 100/120 x6</p>  <p>SET105</p>	<p>VI x1</p>  <p>Lg=8330mm VEL06-1</p>	<p>VJ x1</p>  <p>Lg=8330mm VEL06-2</p>
<p>SE</p> <ul style="list-style-type: none"> ● Montage gauche ● Left hand ● Montaje a la izquierda ● Montaggio a sinistra ● Montage links ● Montage links <p>x1</p>  <p>SUP166</p>	<p>SF</p> <ul style="list-style-type: none"> ● Montage droite ● Right hand ● Montaje a la derecha ● Montaggio a destra ● Montage rechts ● Montage rechts <p>x1</p>  <p>SUP167</p>	<p>JJ x2</p>  <p>Lg=2200mm PFL84</p>
<p>PZ x1</p>  <p>PPL1132</p>	<p>AE x1</p>  <p>Lg=2030mm 6195-01</p>	<p>AF x1</p>  <p>Lg=1005mm 6195-02</p>
<p>AH x2</p>  <p>Lg=1998mm 6197-01</p>	<p>FA x1</p>  <p>125 2055</p> <p>PUS132</p>	

GIR1180AG



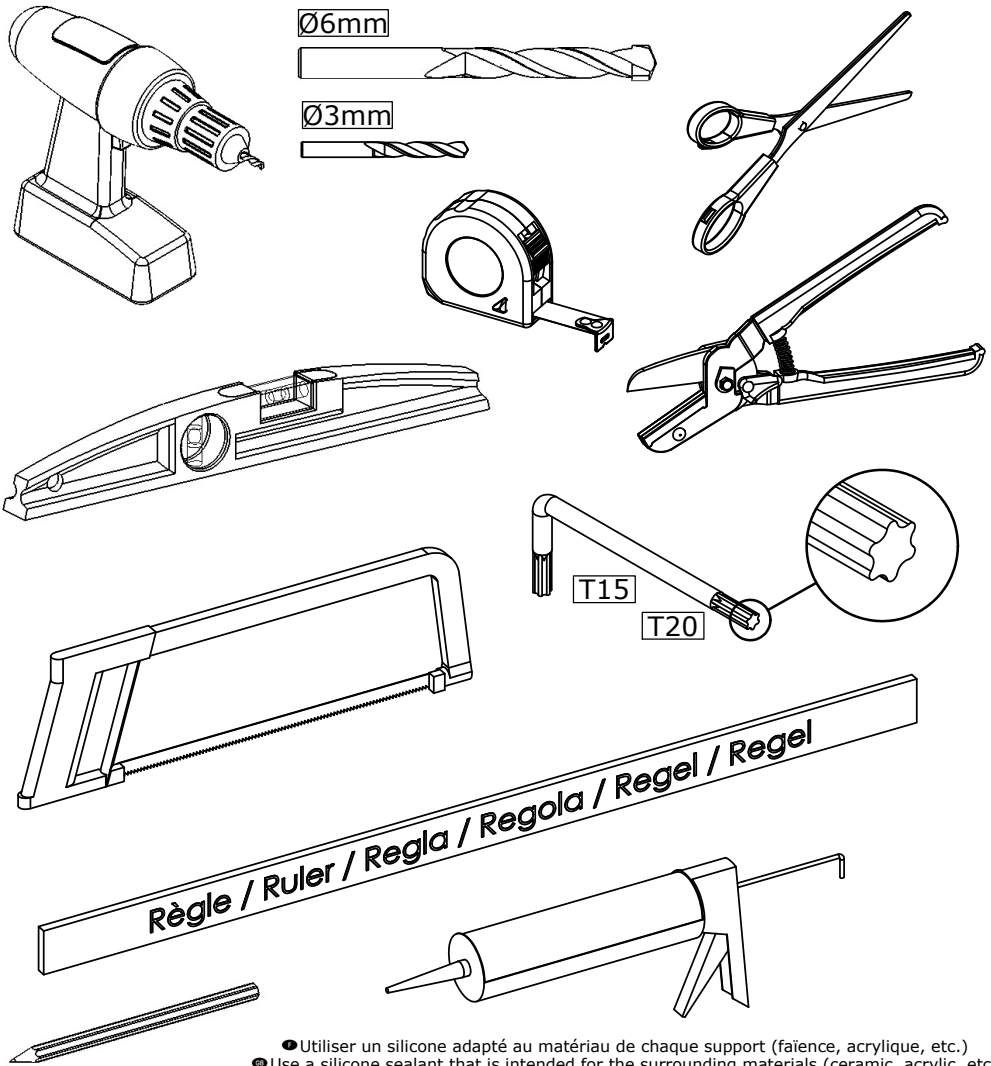
7

<p>(AN) x2</p>  <p>Lg=1233.50mm 6203-01</p>	<p>(JI) x2</p>  <p>Lg=1231mm P105</p>	<p>(PAP) x1</p>  <p>PPL1123/1124</p>
<p>(AL) x1</p>  <p>Lg=1805mm 6201-01</p>	<p>(AL) x2</p>  <p>Lg=890mm 6201-03</p>	
<p>(FD) x1</p>  <p>PUS135</p>	<p>(FE) x1</p>  <p>PUS136</p>	
<p>(FH) x1</p>  <p>PAN11</p>		



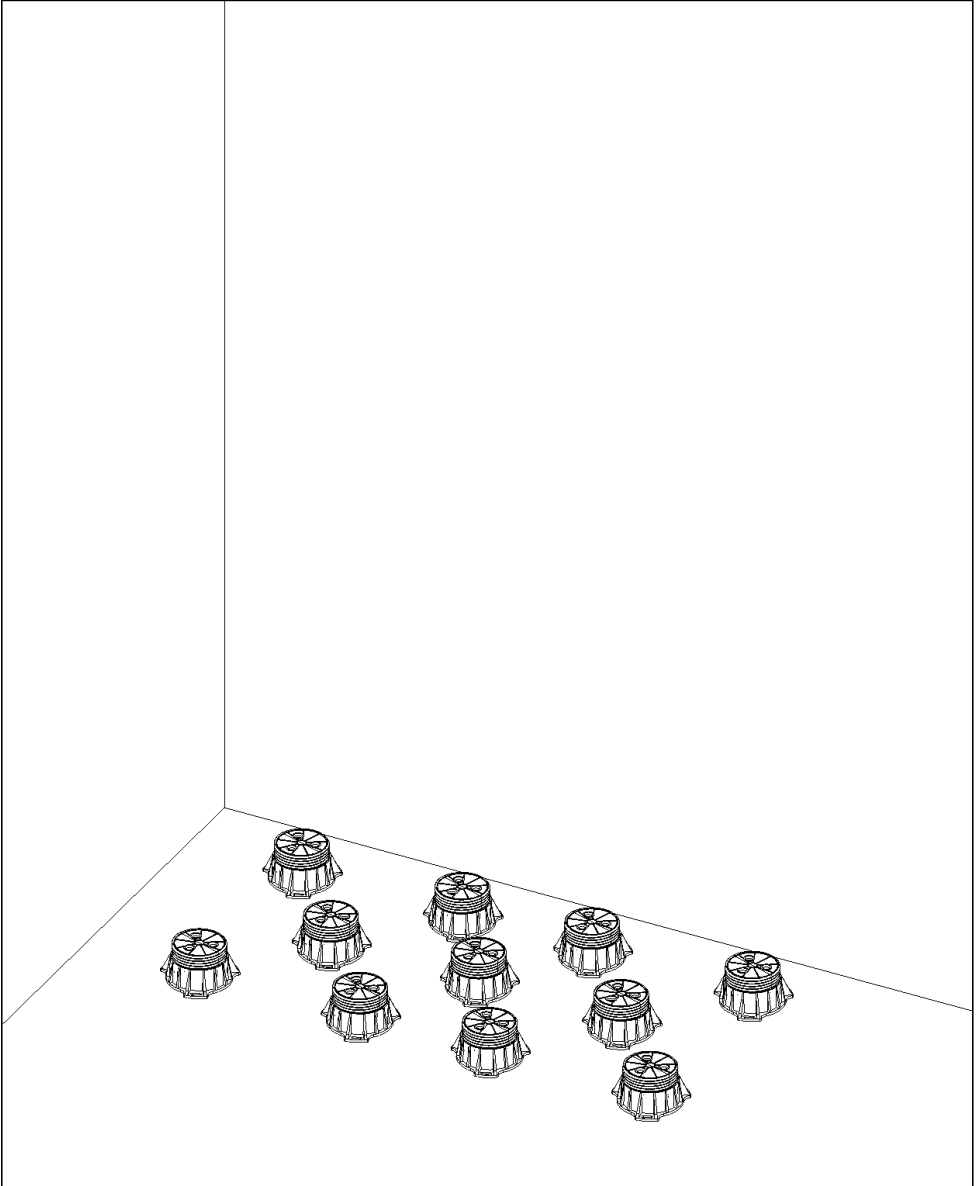
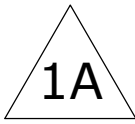
- Les quantités données sont les quantités utiles au montage. les sachets fournis contiennent des pièces supplémentaires.
- The quantities given are what are required for the installation. There may be some surplus in the package provide.
- Las cantidades indicadas son las cantidades necesarias para el montaje. Las bolsitas incluidas contienen piezas suplementarias.
- Le quantità fornite sono le quantità necessarie al montaggio. I sacchetti forniti contengono pezzi supplementari.
- De aangegeven aantallen zijn vereist voor de montage. De verpakking bevat extra onderdelen.
- Die Mengenangaben beziehen sich auf die für die Montage nötigen Teile. Eventuell weitere beige packte Teile ignorieren.

● Outillage nécessaire ● Tools required ● Equipamiento necesario
 ● Attrezzatura necessaria ● Benodigde gereedschap ● Werkzeuge erforderlich

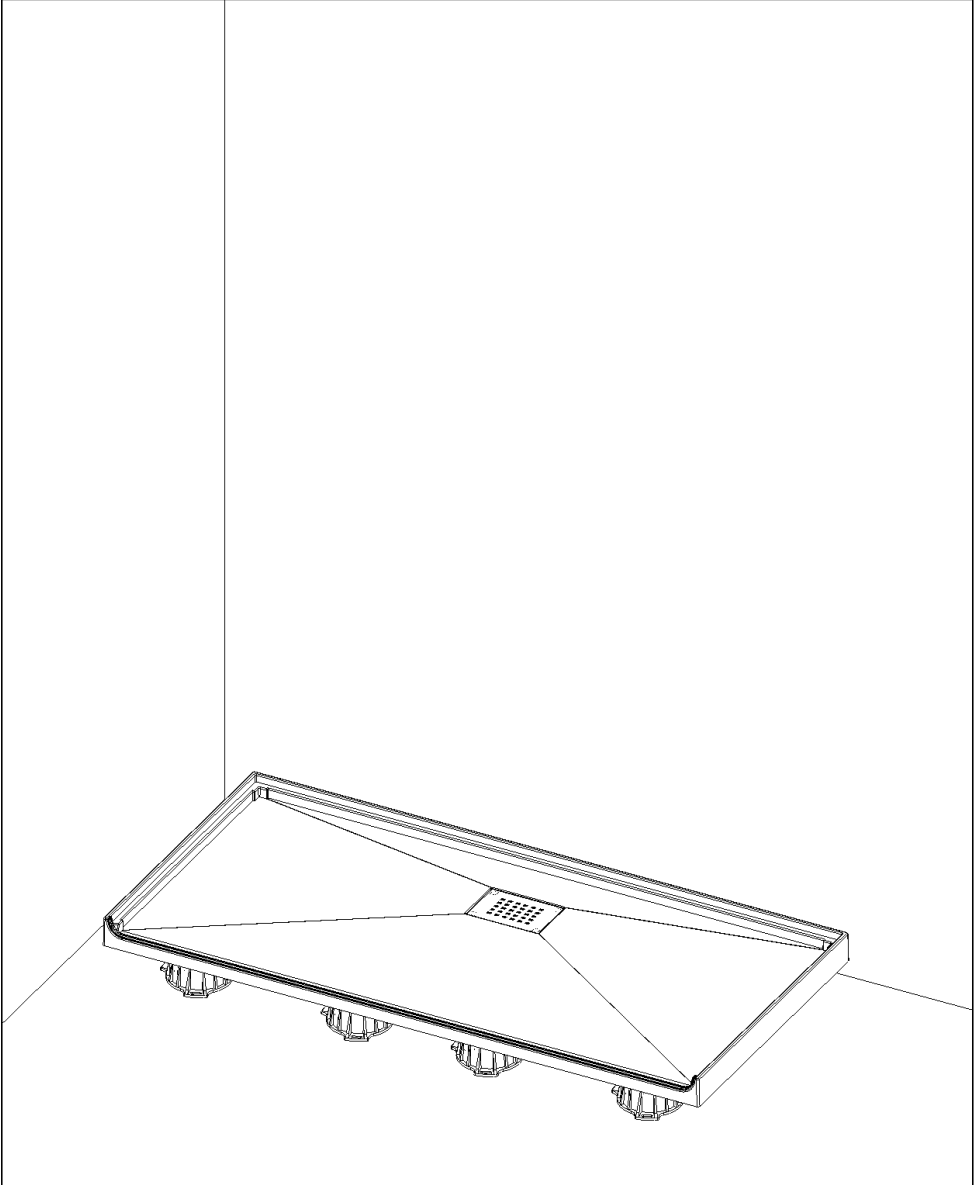


- Utiliser un silicone adapté au matériau de chaque support (faïence, acrylique, etc.)
- Use a silicone sealant that is intended for the surrounding materials (ceramic, acrylic, etc.)
 - Usar una silicona adecuada para cada tipo de material (loza, acrílico, etc.)
 - Utilizzare un silicone adatto a qualsiasi materiale (ceramica, acrilico, ecc.)
 - Gebruik siliconenkit die geschikt is voor iedere ondergrond (tegelwerk, acryl, etc.)
 - Für das jeweilige Trägermaterial (Stein, Acryl usw.) geeignetes Silikon verwenden.

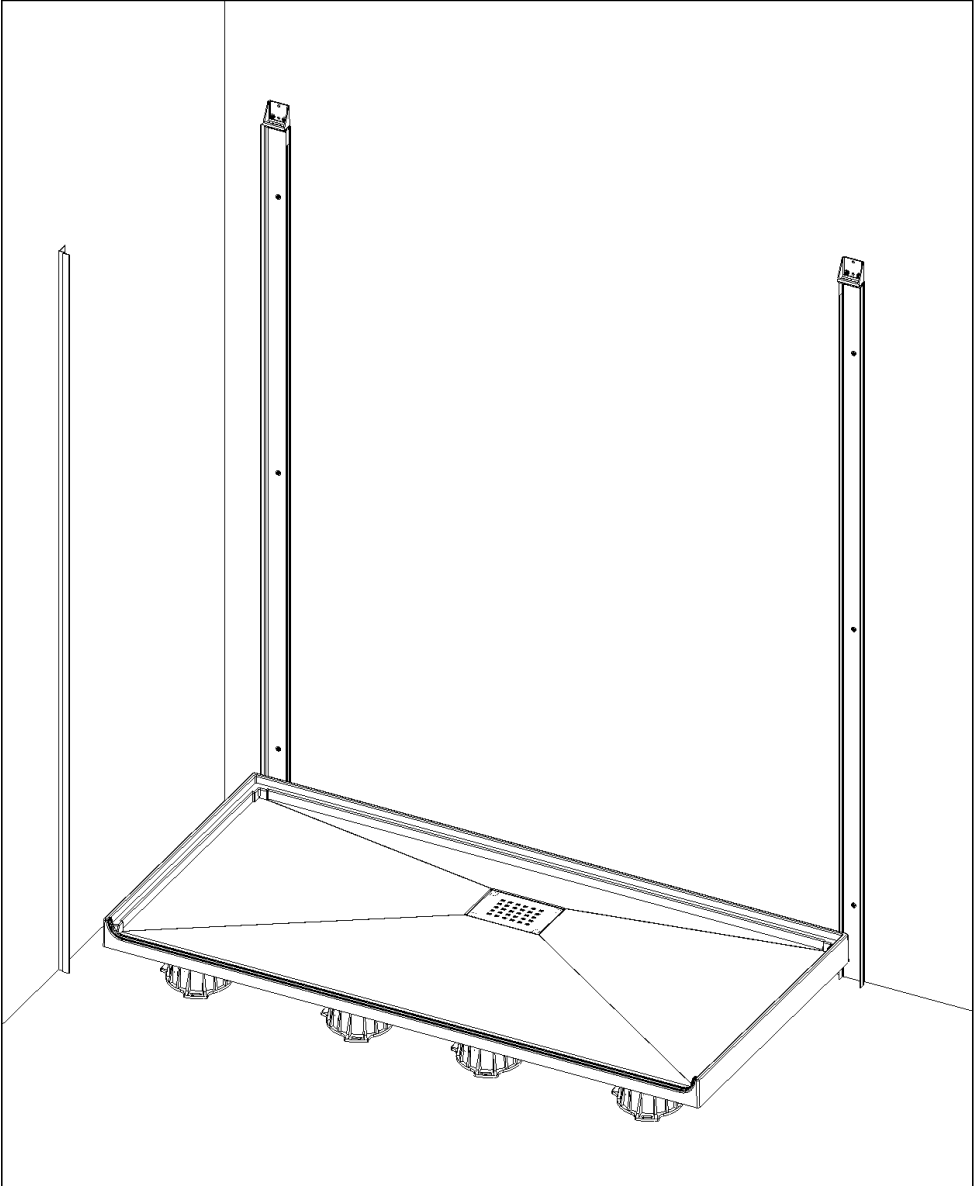




1B

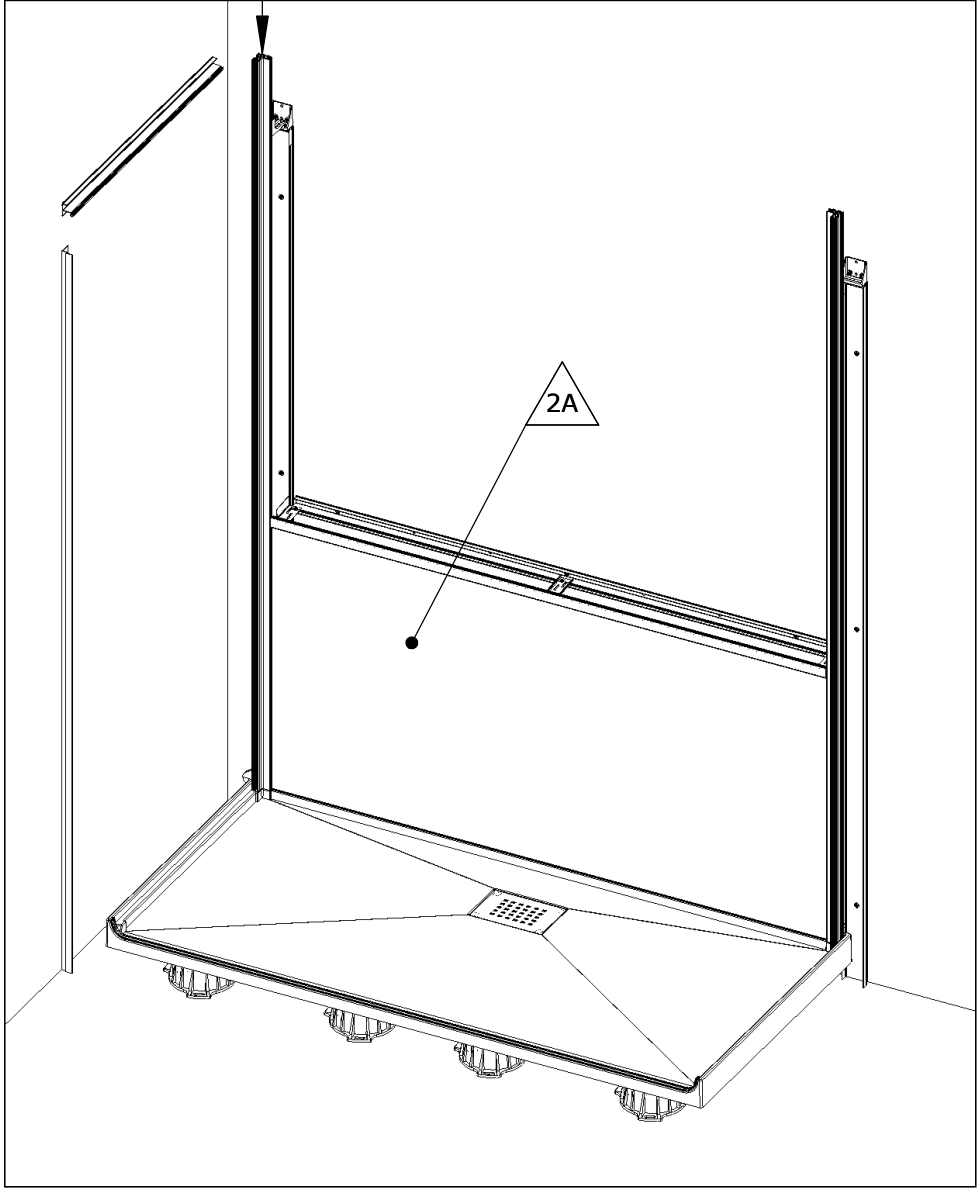


1C



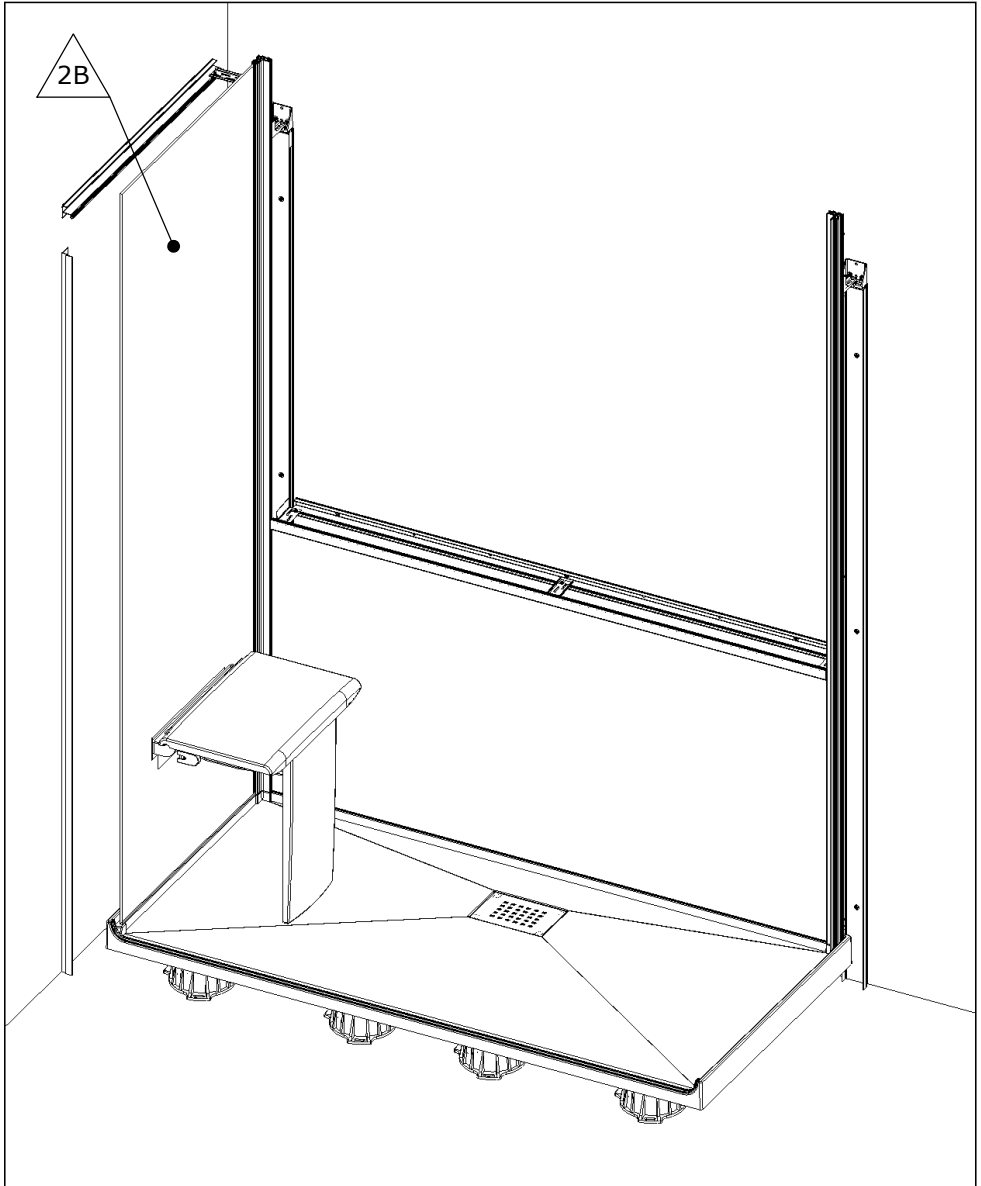
2

2

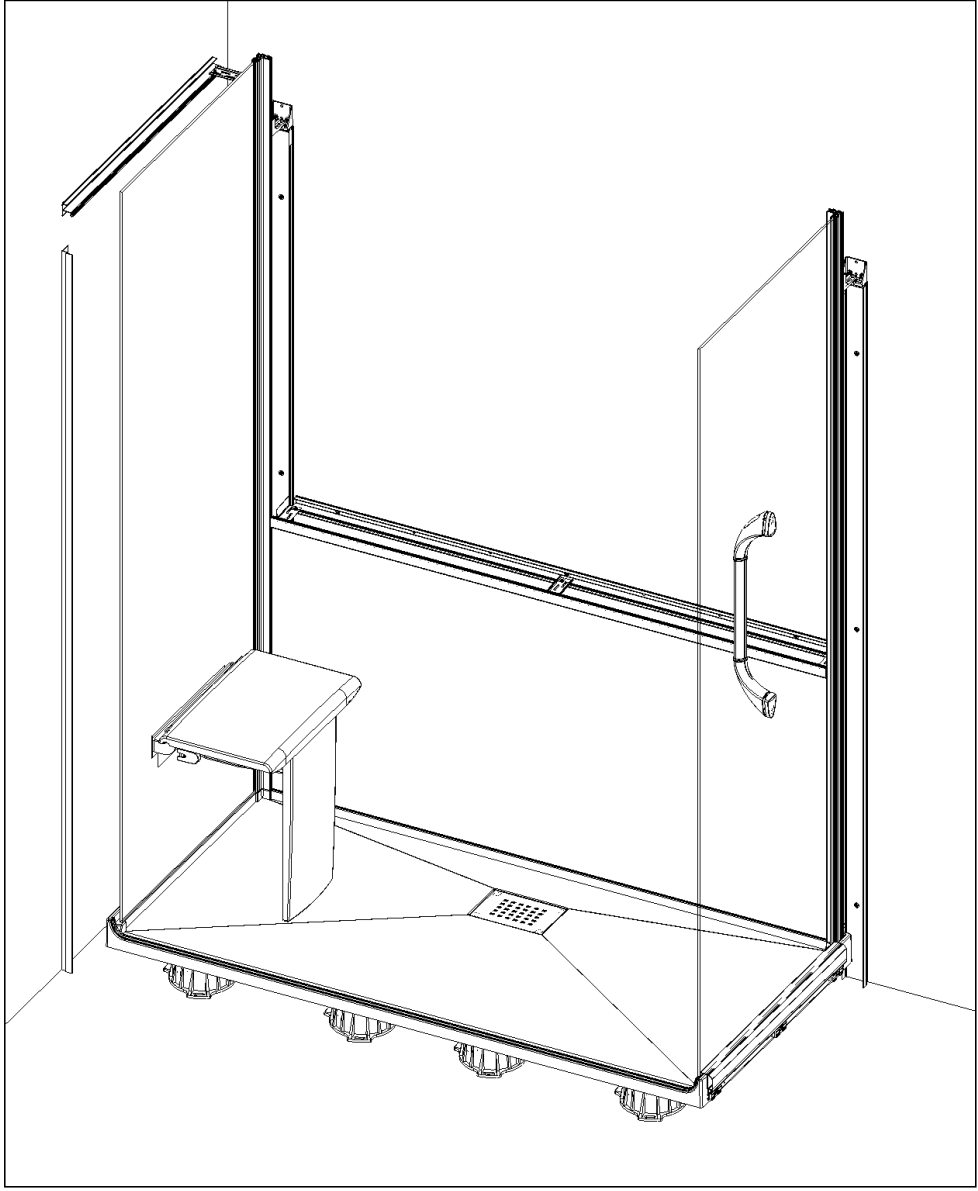


2A

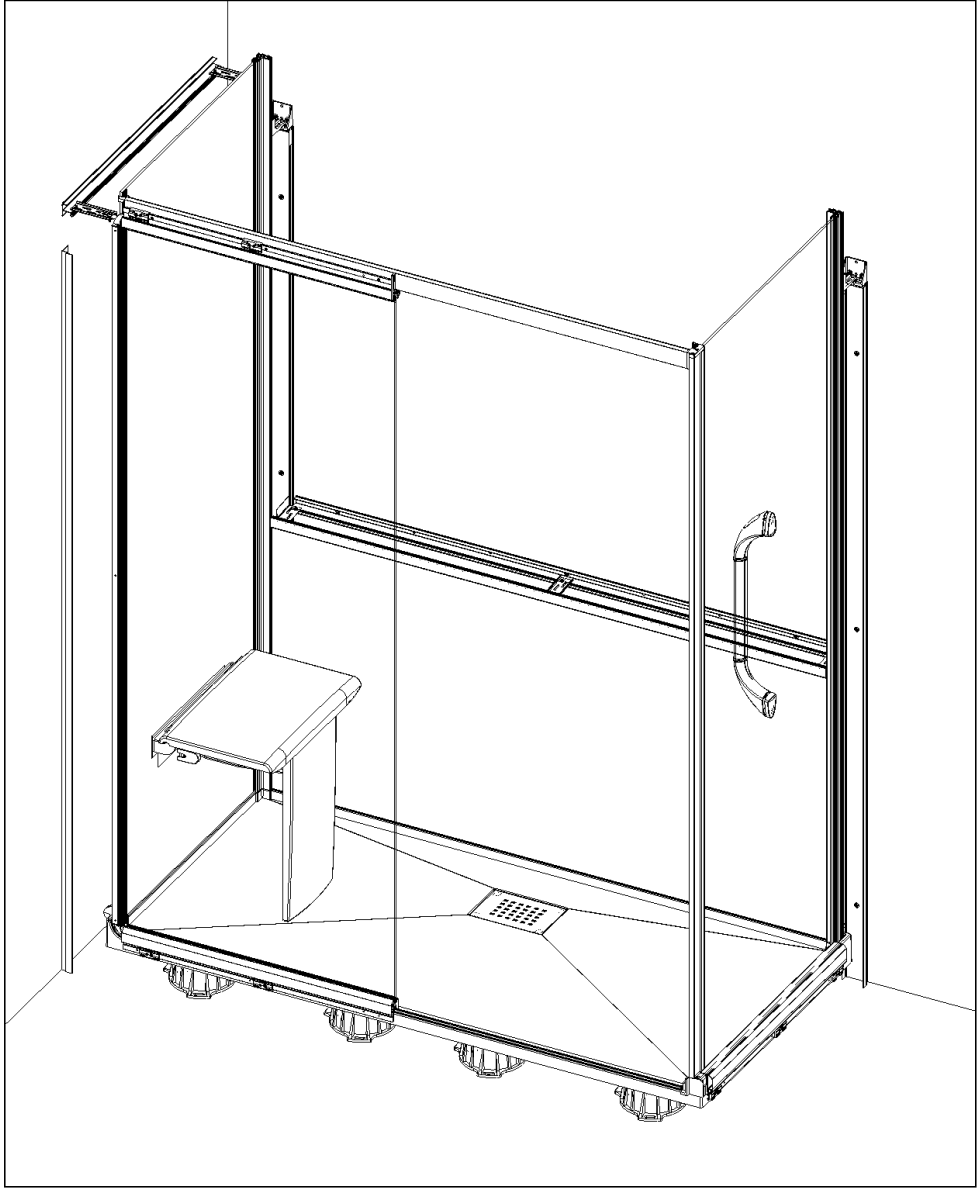
2



3



4



• En cas de montage solo • In case of mounting without door

• En caso de montaje con mampara fija

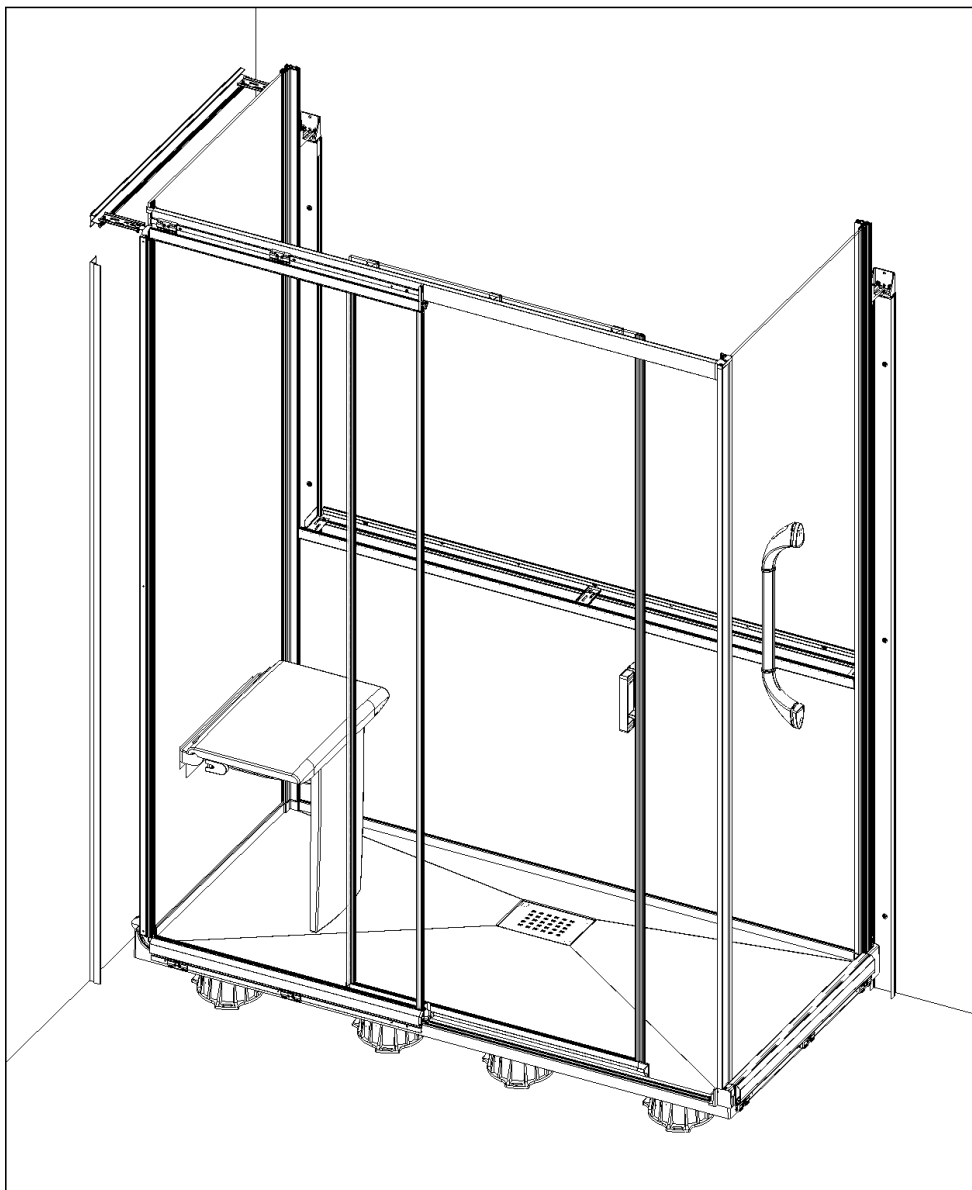
• In caso di montaggio senza porta

• Bij montage uitvoering solo • Bei Montage Ohne Tür

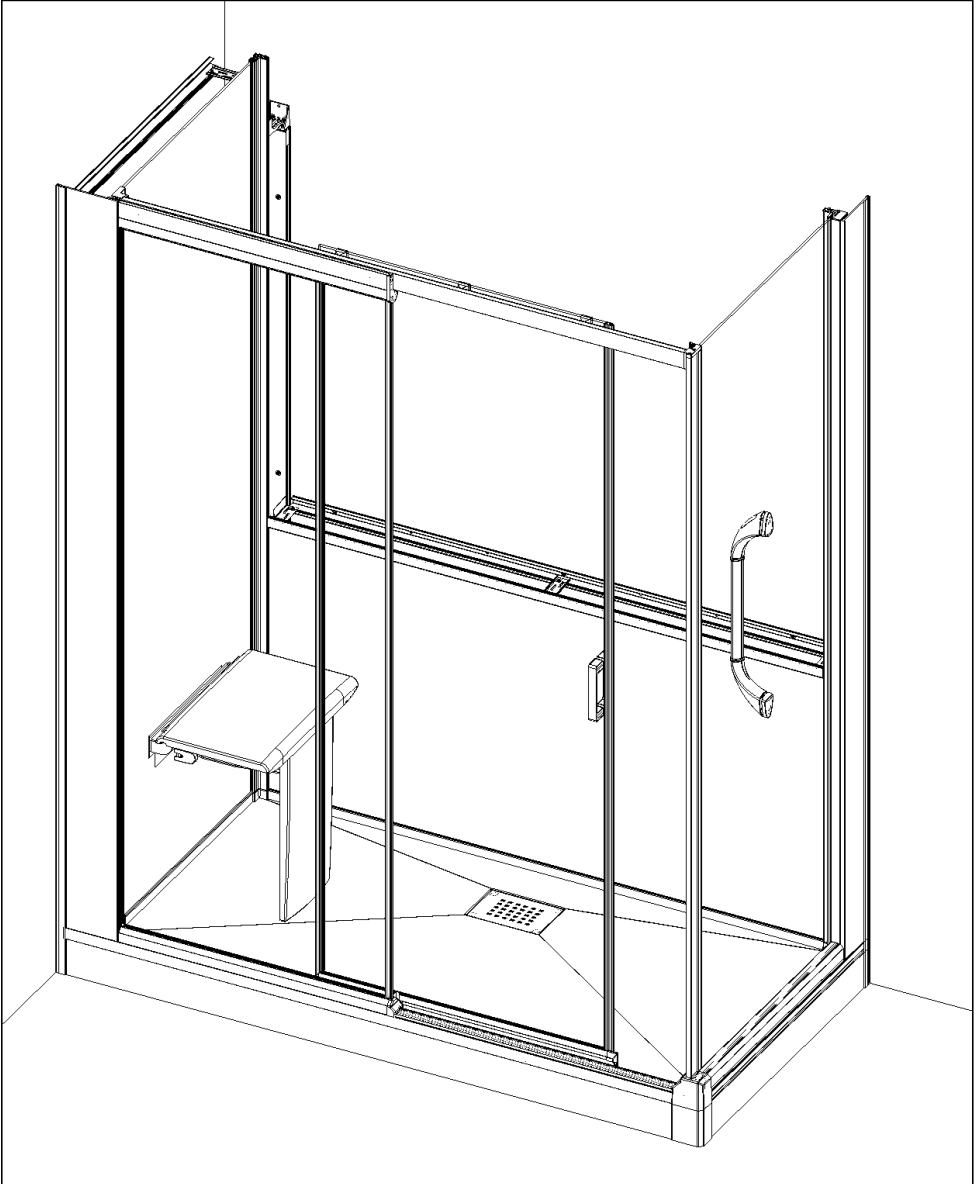
=>

6

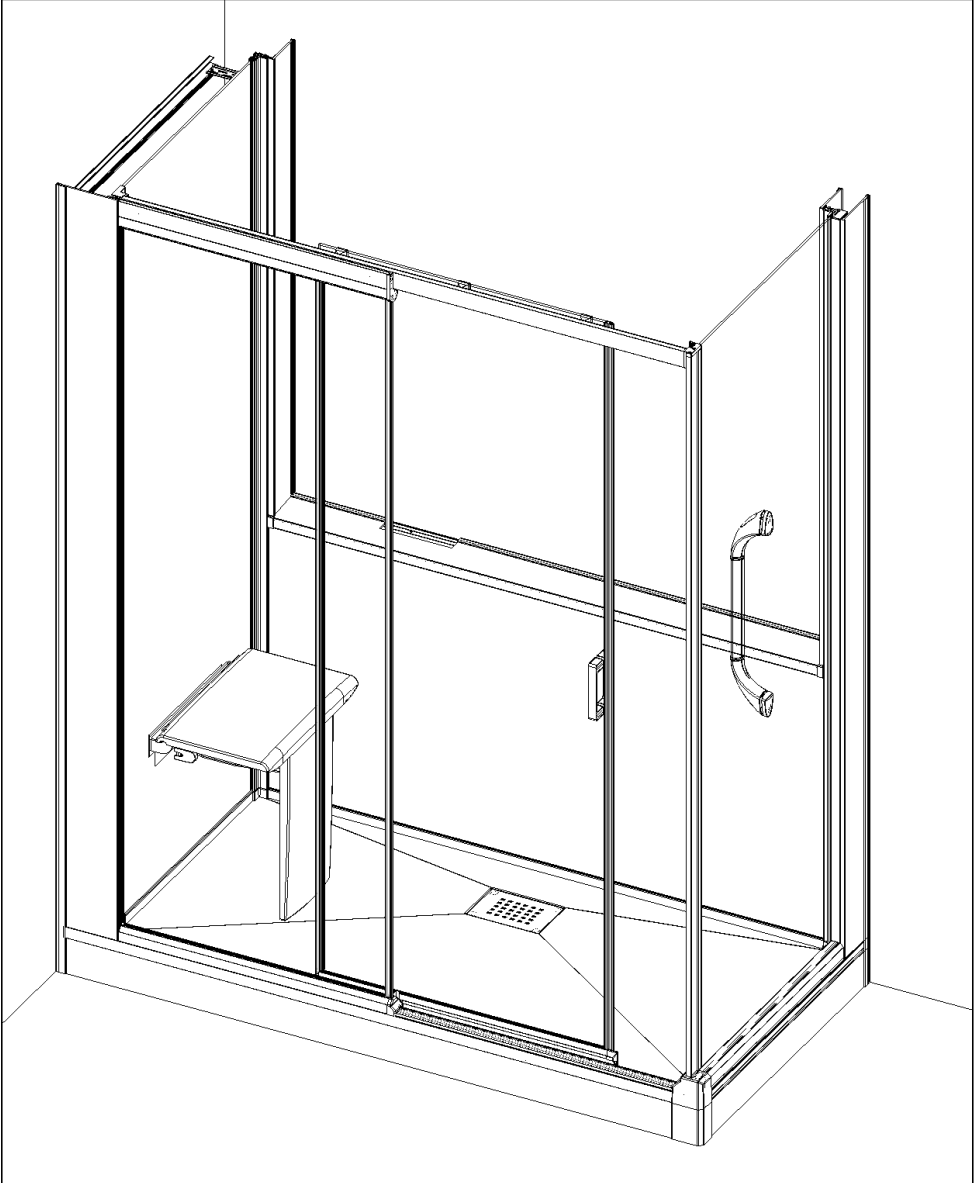
5



6

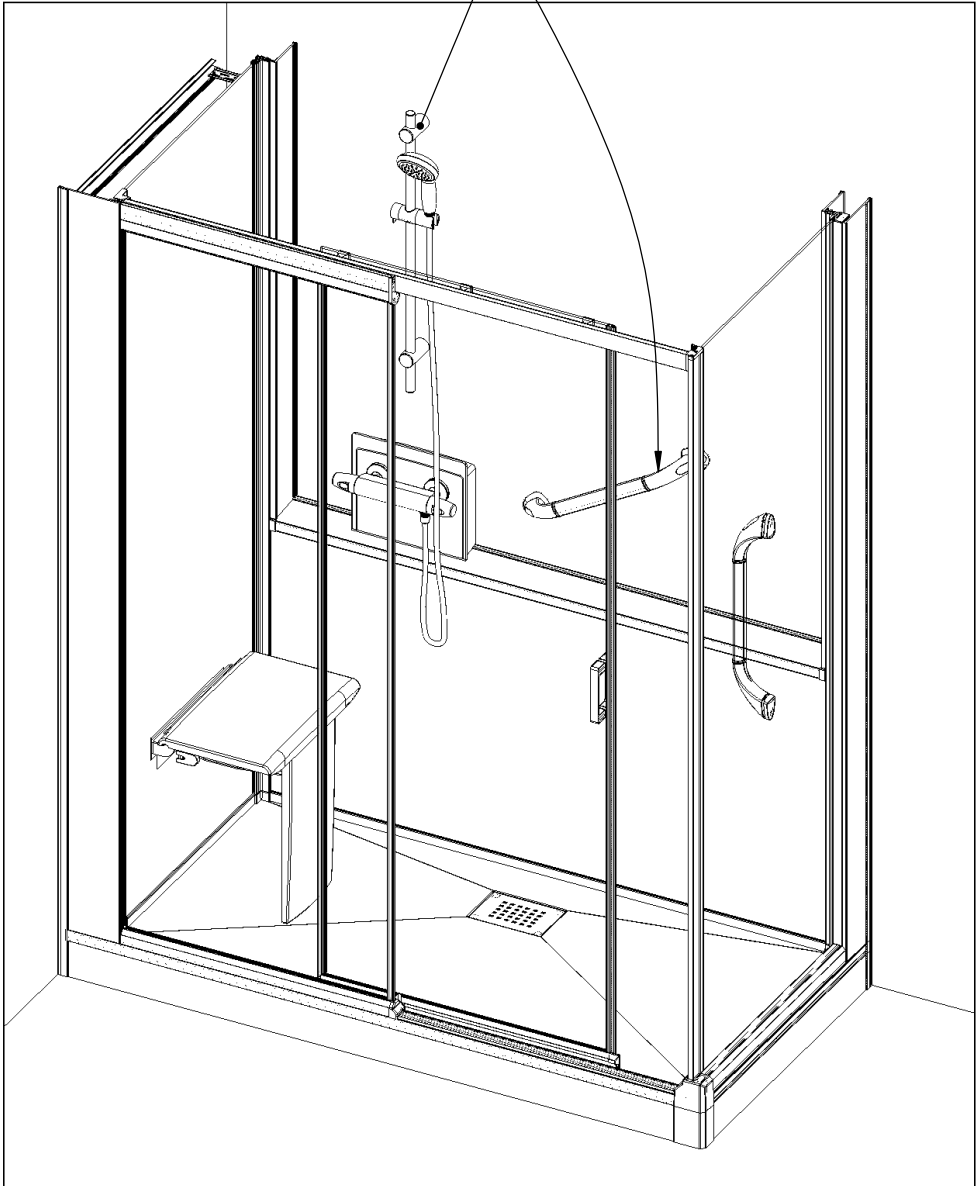


7

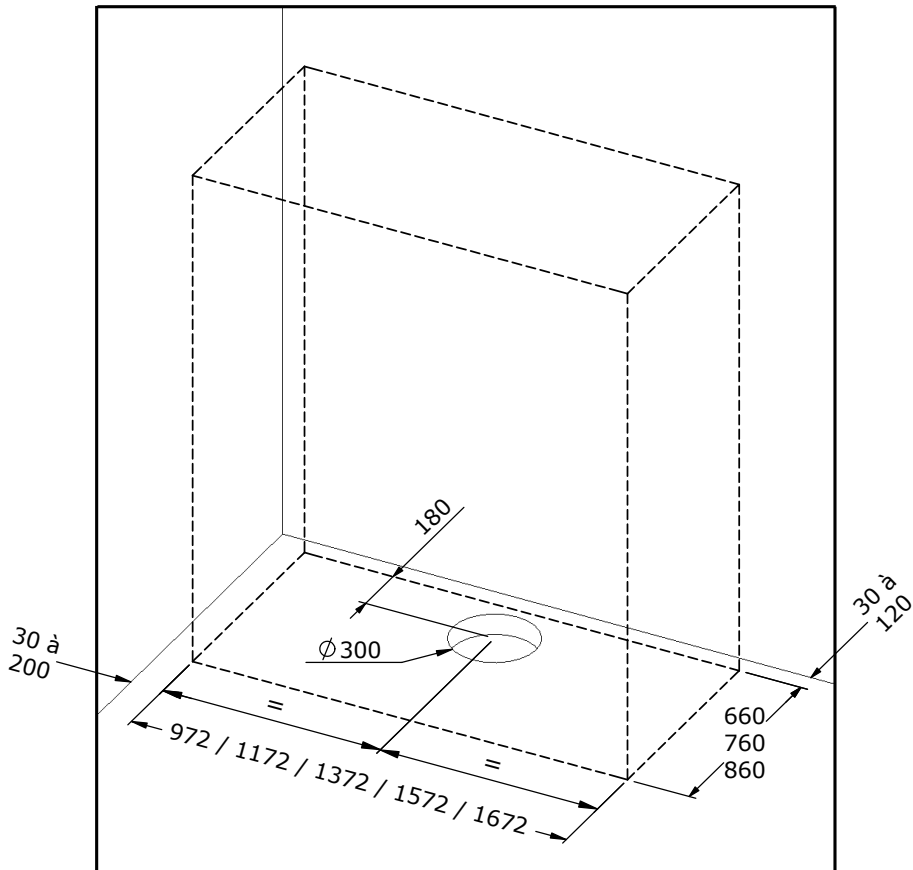


8

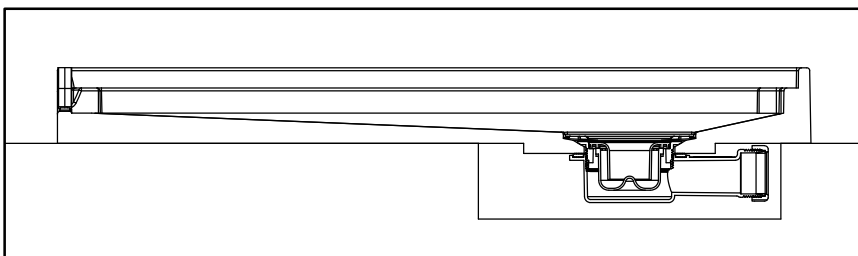
- Voir notice concernée ● See installation instructions required
- Ver manual adecuado ● Vedere manuale appropriato
- Zie montage-instructies ● Siehe betreffende Anleitung



- Zone de décaissement pour un montage de receveur sans pieds
- Area required for the installation of the tray without feet
- Zona rebajada para la instalación del plato sin pies
- Zone necessarie per un montaggio del piatto senza piedi
- Afloopgebied voor de montage van een douchebak zonder poten
- Freier Raum für Montage der Duschwanne ohne FüÙe



- Cotes en mm ● Dimensions in mm ● Cotas en mm
- Quote in mm ● Afmetingen in mm ● Maße sind in mm angegeben





SAV
SERVICE HELPLINES
ASSISTENZA POST-VENDITA
SERVICIO POSTVENTA

FRANCE

02 40 21 29 45

SCHWEIZ

(01) 748 17 44

UK

020 8842 0033

ESPANA

93 544 60 76

IRELAND

04697 33102

NEDERLAND

0475 487 100

DEUTSCHLAND

0800 82 27 82 0

BELGIE

+31 475 487 100

ITALIA

(0382) 6181

BELGIQUE

+31 475 487 100

OSTEREICH

+43 1 710 60 70

РОССИЯ

963 19 40, 773 67 22